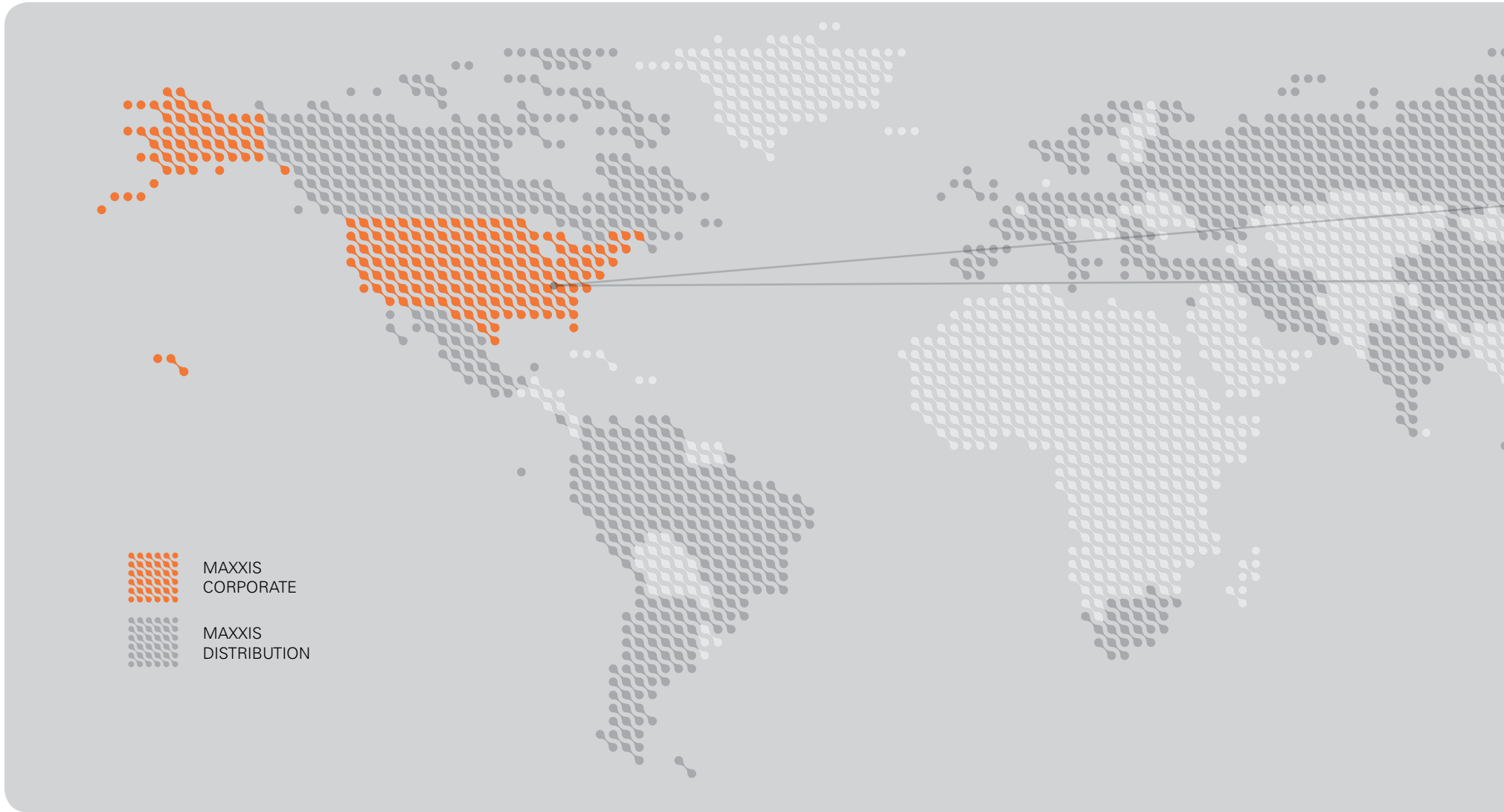




**2013-2014** GLOBAL BICYCLE



For global distributor information, please visit us at [maxxis.com](http://maxxis.com).





Maxxis International – USA  
545 Old Peachtree Road  
Suwanee, GA 30024, USA  
Tel: 1.800.4.MAXXIS  
Tel: 1.770.962.5932  
Fax: 1.770.962.7705



Maxxis Technology Center – USA  
480 Old Peachtree Road  
Suwanee, GA 30024, USA  
Tel: 1.678.376.4420  
Fax: 1.770.822.4361



Maxxis International – Headquarters  
215 Meei-Kong Rd.  
Ta-Tsun, Chang-Hwa  
Taiwan  
Tel: 886.4.852.5151  
Fax: 886.4.852.6468



Maxxis International  
Research and Development Center

GLOBAL



PHOTO: RIGA

## OUR MISSION

We strive to provide the highest quality products and customer service with the goal of creating lifelong Maxxis customers. Anchored by a strong commitment to our values, we form close partnerships with our stakeholders, and together we work to consistently exceed our customers' expectations.

From design to production, from the factory floor to your favorite road or trail, Maxxis products lead the way in technological advances. For bicycle, automotive, light truck, ATV, motorcycle, kart, trailer and lawn & garden, Maxxis provides the quality customers have come to depend on.

Total customer satisfaction has been Maxxis' guiding purpose since 1967. Working toward this goal has built Maxxis into the successful, worldwide company it is today. Champions around the world choose Maxxis because they know that our extensive product research, unique designs and rigorous testing standards produce tires that will elevate riders to the next level.

**For more information on the entire Maxxis product line, visit us at [maxxis.com](https://www.maxxis.com)**

<b>TECHNOLOGY</b>	
OVERVIEW	06
TUBELESS READY	06
L.U.S.T.	07
EXO PROTECTION	07
TUBULAR	08
RADIAL ROAD	08
TUBELESS ROAD	09
COMPOUNDS	10
3C ROAD	10
3C MOUNTAIN	11
<b>TERRAIN GUIDES</b>	
ROAD/HYBRID	12
URBAN/BMX/TRIALS	12
MTB/CYCLOCROSS	13
<b>ROAD</b>	
ROAD TUBULAR	
CAMPIONE	15
FORZA	15
ROAD TUBELESS	
PADRONE	16
ROAD RADIAL	
RADIALE-22c TL	16
RADIALE-22c	17
RADIALE-23c	17
ROAD CLINCHER	
COURCHEVEL	18
CORMET	18
COLUMBIERE	19
ROULER	19
XENITH EQUIPE LÉGERE	20
XENITH HORS CATÉGORIE	20
DETONATOR	21
RE-FUSE	22
<b>CYCLOCROSS</b>	
MUD WRESTLER	24
RAZE	24

LARSEN MIMO CX	25
<b>HYBRID</b>	
COLUMBIERE-HYBRID	27
XENITH 1.5	27
DETONATOR-HYBRID	28
METROPASS	29
OVERDRIVE	29
OVERDRIVE EXCEL	30
OVERDRIVE ELITE	30
ROAMER	31
GYPSY	31
<b>MOUNTAIN</b>	
HIGH ROLLER II	33
MAXXLITE 285 & 29	34
MAXXLITE 310	34
BEAVER	35
IKON	35
LARSEN ORIFLAMME	36
ASPEN	36
CROSSMARK	37
LARSEN TT	37
MONORAIL	38
IGNITOR	38
ARDENT RACE	39
ARDENT	39
RANCHERO	40
ADVANTAGE	40
HIGH ROLLER	41
MEDUSA	41
MINION DHF	42
MINION DHR	42
MINION DHR II	43
MOBSTER	44
WORMDRIVE UST	44
<b>DOWNHILL</b>	
HIGH ROLLER II	46
HIGH ROLLER	46

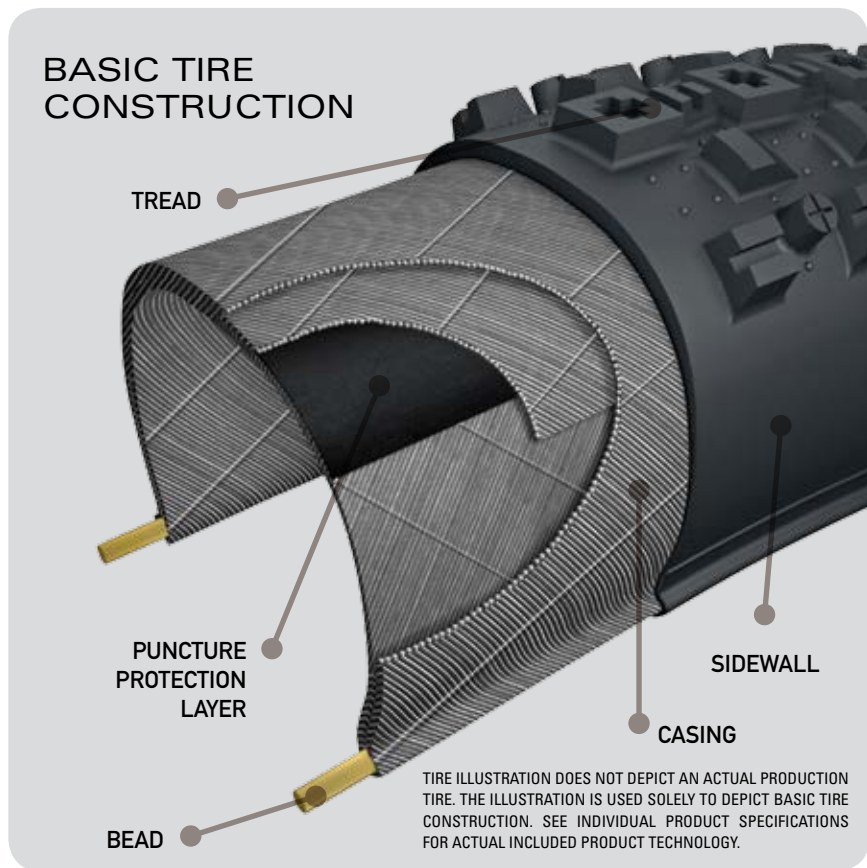
MINION DHF	47
MINION DHR	47
MINION DHR II	48
WETSCREAM	49
SWAMPTHING	49
<b>URBAN</b>	
DTH	51
HOLY ROLLER	51
HOOKWORM	52
<b>BMX</b>	
TORCH	54
RIZER	54
SNYPER	55
DTH	55
GRIFTER	56
MAXXDADDY	57
HOLY ROLLER	57
HOOKWORM	58
MIRACLE	58
M-TREAD	59
RINGWORM	60
<b>MODIFIED TRIALS</b>	
CREEPY CRAWLER F	61
CREEPY CRAWLER R	61
<b>MODULAR VALVE SYSTEM</b>	
MVS VALVE STEM SETS	62
MVS FLYWEIGHT TUBES	63
MVS ULTRALIGHT TUBES	63
<b>INNER TUBES</b>	
FLYWEIGHT	64
ULTRALIGHT	64
WELTERWEIGHT	65
FREERIDE	65
DOWNHILL	65
<b>QUICK REFERENCE</b>	
PRODUCT/SPEC LISTING	66

## MAXXIS BICYCLE TIRE SAFETY

- Consult your owner's manual for specific tire information.
- Clearance around tires must be maintained. Increasing tire size may require an increased rim width. Inspect tires closely for sufficient clearance.
- Always wear protective eyewear when installing inner tubes or tires.
- When replacing tires, be sure to also replace the inner tubes. Stretched inner tubes can crease and fail due to thinning of the inner tube rubber.
- Consult your bicycle professional for correct rim strip replacement.
- Make sure your tube size markings match the tire size.
- Use tire only for designated terrain, on an appropriate bicycle and using proper safety equipment at all times.
- Follow tire pressure guidelines located on your tire.
- Check tire pressure before every ride.
- Check your valve cores for damage. If valve cores are damaged, replace them.
- Check your tires for damage before and after riding. Punctured, cracked, bulging or blistered tires should be replaced immediately. If not replaced, damage can result in sudden and complete tire failure.
- Check to ensure that the beads of the tires are fully and evenly seated around the entire circumference of the rims before every ride.
- After replacing worn tires, take time to become acquainted with the handling and performance of your new tires.
- Do not cut, sipe or otherwise modify your tires.
- Check for broken or damaged spokes and replace as necessary.
- Replace bent or damaged rims or wheels immediately.
- Liquid sealants should only be used in the following types of tires: Tubeless Road, Tubular, and Tubeless Ready. The use of liquid sealants in any other Maxxis tire will void the warranty.
- Tube-type tires should only be used in conjunction with an inner tube on an approved rim.
- Do not store tires in direct sunlight for extended periods of time.
- Allowing tires to stand in oil, gasoline or other chemicals may have an adverse effect on the rubber compounds of the tire.
- Failure to follow these guidelines can result in accelerated tread wear and may cause catastrophic tire failure.

Maxxis makes every effort to ensure the accuracy of the information we publish. Maxxis is not responsible for errors or misprints in our materials. Specifications and item availability are subject to change without notice. Actual weights and measurements may vary from those published herein. Weights are listed in grams. © 2013 Maxxis International. All rights reserved.

## BASIC TIRE CONSTRUCTION



## CASING

### SINGLE-PLY CASING

One layer of nylon wrapped from bead to bead. A single-ply casing conforms well to the terrain and is lighter weight.

### DOWNHILL (DH) CASING

Two layers of casing material are used from bead to bead, providing additional protection and sidewall stiffness for downhill applications.



### THREADS PER INCH (TPI)

The number of threads that cross through one square inch of a single ply of the tire's casing. Lower TPI gives better puncture, cut and abrasion resistance but is heavier. Higher TPI conforms better to the terrain, offering a smoother, more comfortable ride while reducing the weight of the tire. **Maxxis TPI ratings are the threads-per-inch of a single casing ply, as compared to some competitor TPI ratings.**

## BEAD

### WIRE BEAD

The function of the bead is to keep the tire in contact with the rim while the tire is inflated. A rigid metal wire is utilized as bead material in applications where ultimate strength is needed and transportability is not a factor.

### FOLDABLE BEAD

Foldable beads also keep the tire secured to the rim but are lighter weight and easily transported. The bead is made of spun aramid or Kevlar® fibers.

### CARBON FIBER BEAD

A flexible material with greater strength to withstand the forces exerted by a high-pressure road tire.

## TUBELESS READY



Tubeless tires provide the rider with many benefits: the ability to run lower air pressures, which improves traction; lower rolling resistance when compared to a tube-type tire; and less chance of flatting since there is no tube. Maxxis Tubeless Ready (TR) tires provide the benefits of a UST tubeless tire without the weight penalty. Our TR tires use a standard casing and require the use of a liquid sealant in order to make them airtight. Maxxis Tubeless Ready tires are the only Maxxis tires approved for use with liquid sealants. Using a liquid sealant in any non-TR Maxxis tire will void the warranty.

## PROTECTION



### SILKWORM

Silkworm Technology is an exclusive material incorporated into the casing of select models, increasing puncture and tear resistance. Silkworm is featured under the tread as a breaker (denoted as Silkworm).



### SILKSHIELD

SilkShield offers protection from bead to bead whereas Silkworm is found under the tread only. SilkShield provides an additional level of protection for sidewalls in addition to under the tread.



### MAXXSHIELD

MaxxShield represents the ultimate in flat protection. We begin with our SilkShield bead to bead protection and add our K2 (Kevlar® Composite) layer for unparalleled durability.



### MAXXPROTECT

A poly-fiber material positioned between the tire tread and the casing. With varying thicknesses of 0.9mm – 1.5mm, MaxxProtect is designed to maximize puncture resistance in select hybrid models.



### BUTYL INSERT

An extra piece of butyl rubber that extends from the bead of a downhill tire up into the sidewall. The butyl insert helps prevent pinch flats, protects the rim from hard hits and adds sidewall stability.



### NYLON BREAKER

The nylon breaker is a reinforcement option that offers protection from punctures directly under the tread area. The nylon breaker is available in select road tires.



### KEVLAR® INSIDE

A Kevlar® material positioned between the tire tread and the casing. Similar to MaxxProtect technology, Kevlar® Inside varies in thickness and provides optimal puncture protection.



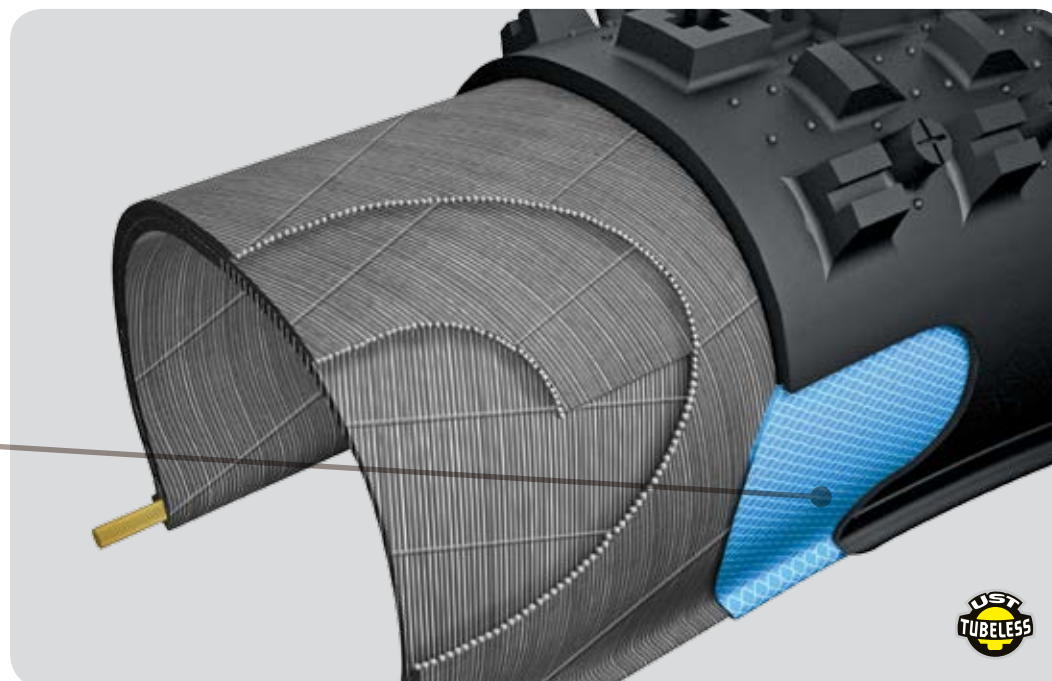
### KEVLAR® COMPOSITE (K2)

Available in select tires, this Maxxis-exclusive fabric provides greater puncture protection than both standard Kevlar® and Vectran®. The addition of this lightweight and supple material ensures that ride quality and performance remain unsurpassed.

## L.U.S.T.

Maxxis mountain tubeless tires, certified to UST® standards, featuring Lightweight Ultimate Sidewall Technology (L.U.S.T.). This technology offers better puncture resistance, improved air retention, better longevity and lower weight than previous tubeless technologies. By adding a thin fabric layer to the sidewall, covered in a special airtight rubber compound, Maxxis created a casing that is lighter, tougher and holds air better.

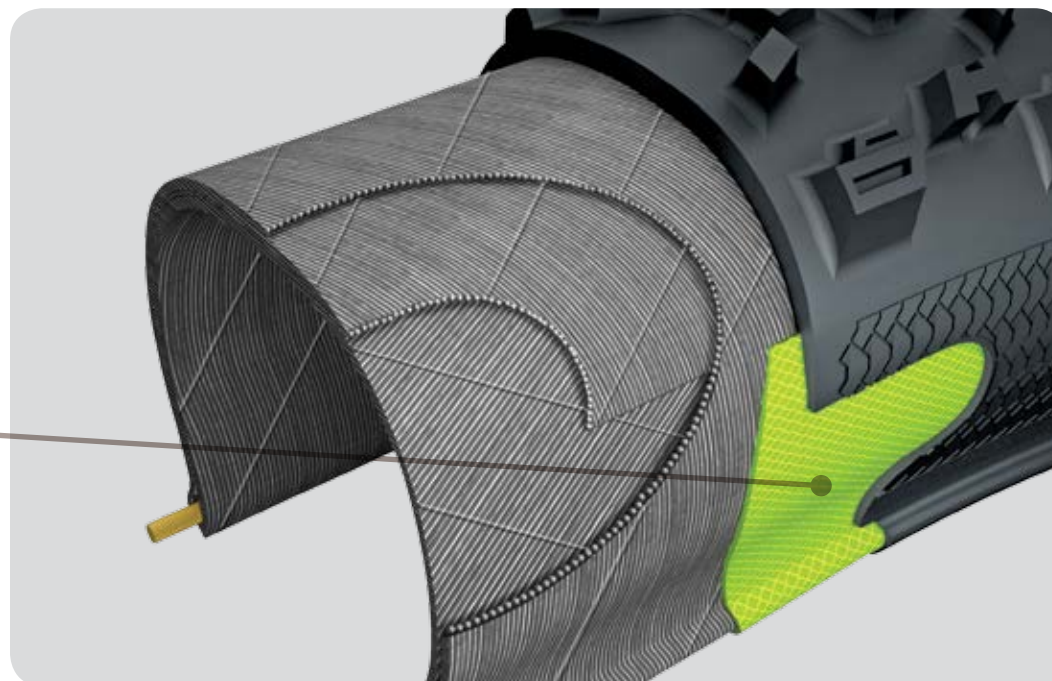
**LUST**



## EXO PROTECTION

An extremely cut-resistant and abrasion-resistant material added to the sidewalls of select mountain tires. This densely woven fabric is also lightweight and highly flexible, ensuring that the performance of the tire remains unaffected. Choose EXO Protection for exceptionally rocky, treacherous trails where the chance of sidewall cuts and abrasions is high.

**EXO  
PROTECTION**



## TUBULAR

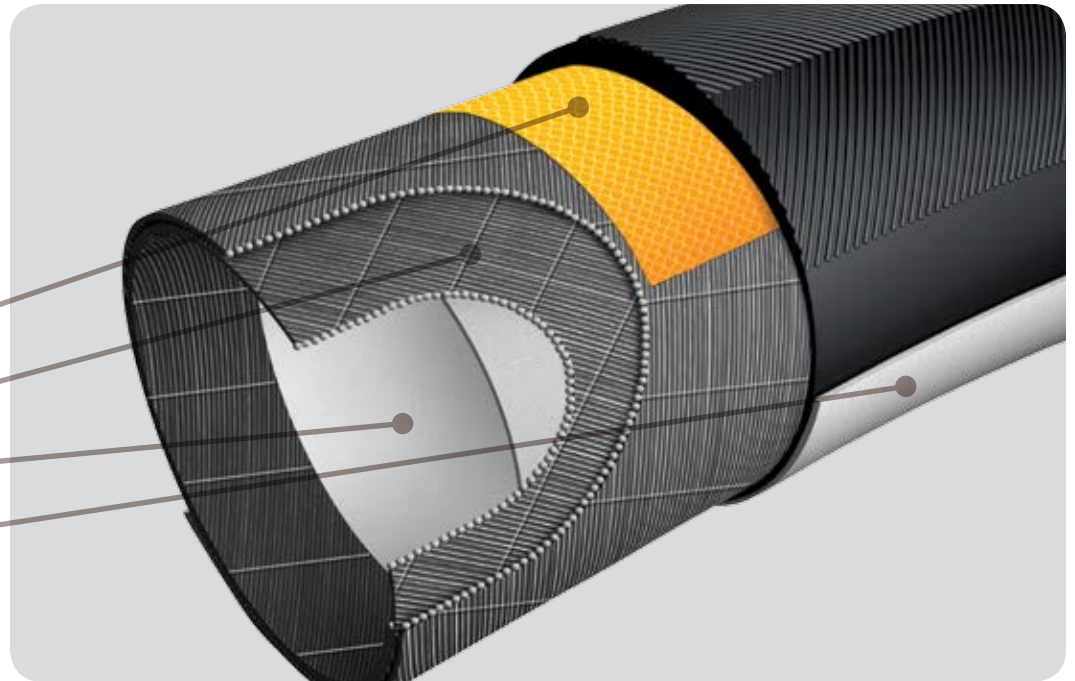
A traditional tire construction in which the tire casing is sewn or wrapped around an inner tube. These types of tires must be glued or taped onto tubular-specific rims.

PUNCTURE PROTECTION LAYER

CASING

INNER TUBE

CLOTH BASE TAPE



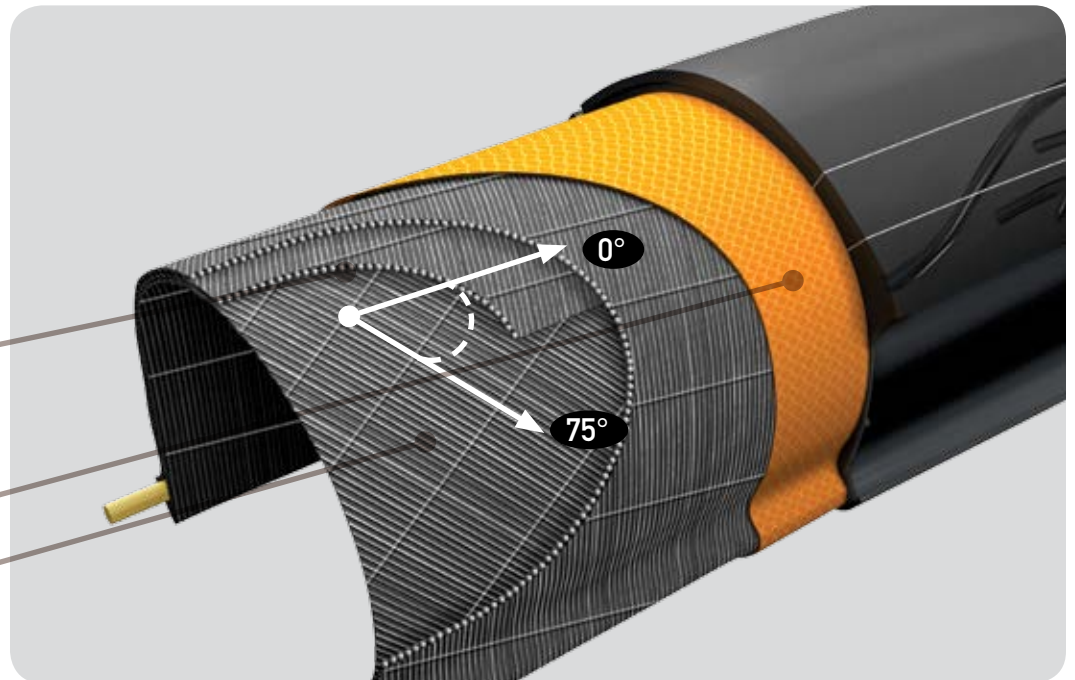
## RADIAL ROAD

A radial construction orients the casing threads perpendicular to the direction of rotation. This allows the sidewall to easily bend and flex, resulting in a very compliant and supple ride.



PUNCTURE PROTECTION LAYER

RADIAL CONSTRUCTION





TUBELESS ROAD

Tubeless technology that combines a carbon fiber bead for strength and a butyl inner liner for air retention to eliminate the need for an inner tube. The Silkworm layer provides puncture protection from road debris. Choose Maxxis tubeless road tires for the ultimate road experience.



- CARBON FIBER BEAD
- BUTYL INNER LINER
- BEAD CUSHION

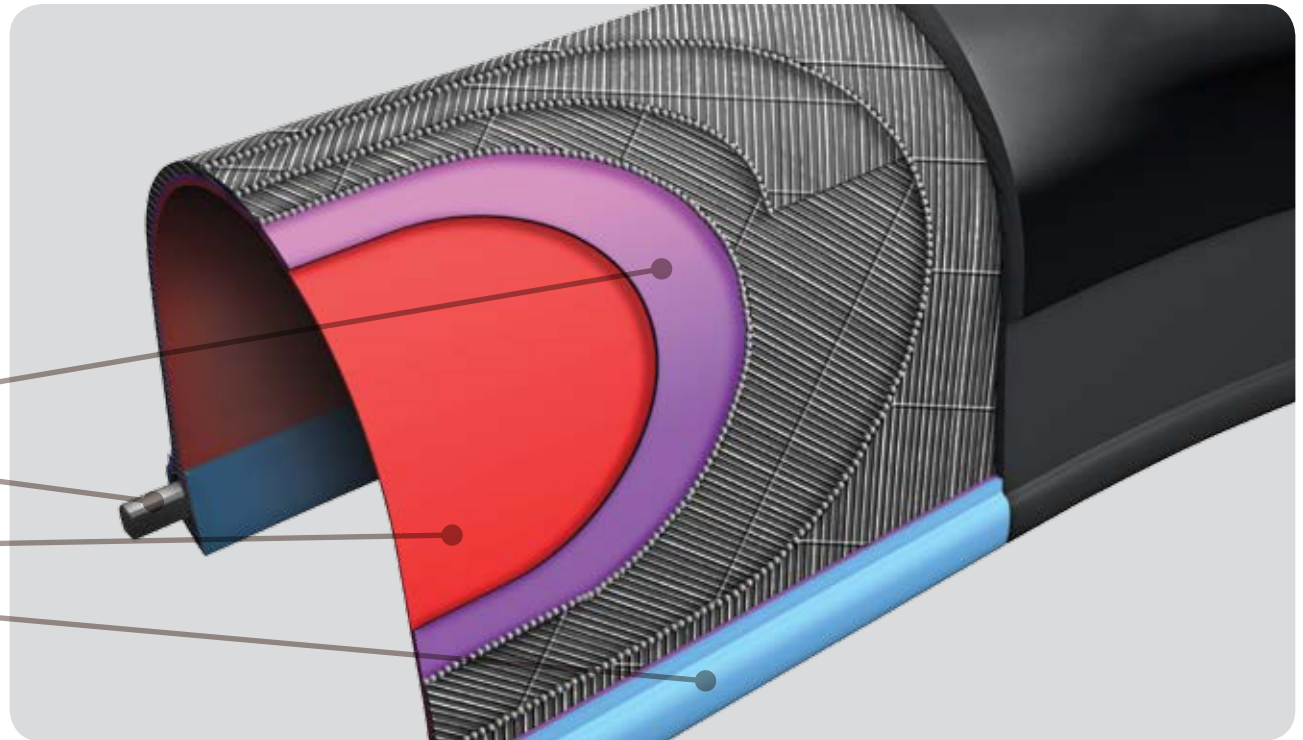


PHOTO: DEVICH

### COMPOUNDS

The most important part of a tire is arguably the rubber compound within the tread. By changing the amounts of various components of the rubber formula, engineers can make two identical looking tires perform completely differently. A list of the Maxxis compounds and their distinct characteristics is below.

**SINGLE** One compound throughout the tread optimized for longevity and performance.

**DUAL** Two compounds used within the tread of select tires to offer lower rolling resistance and increased cornering grip.

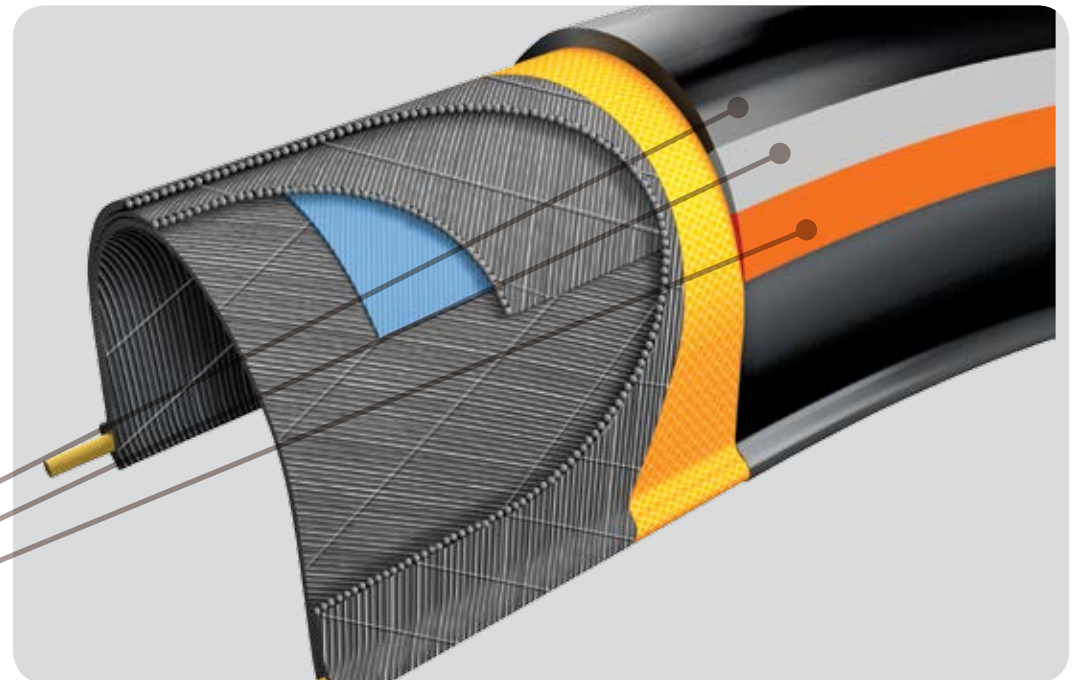
**ST SUPER TACKY** A special low rebound, high traction compound used in select mountain tires.



### 3C TRIPLE COMPOUND ROAD

Triple Compound road technology utilizes three distinct silica compounds in different locations within the tread of the tire. The center compound is optimized for exceptional treadwear and low rolling resistance. The progressively softer shoulder compounds provide increased grip while cornering. Choose a Triple Compound Maxxis road tire for the ultimate in tire handling in all conditions.

**3C**



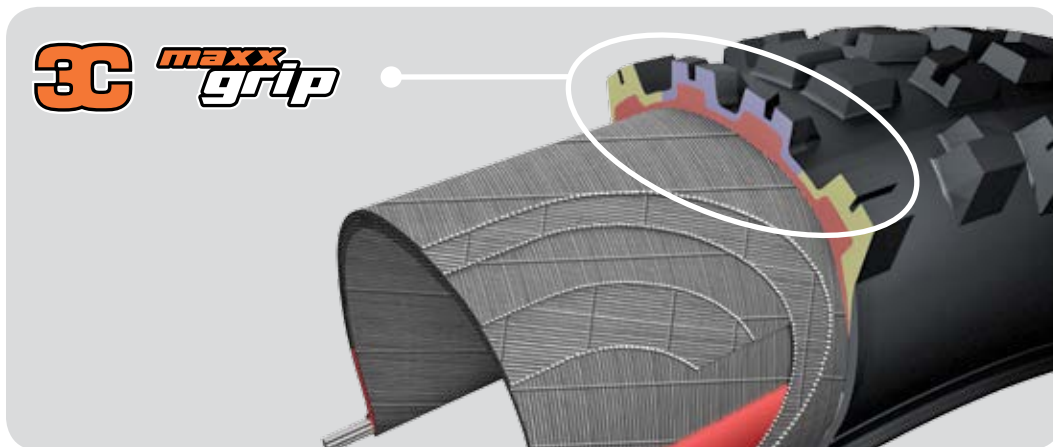
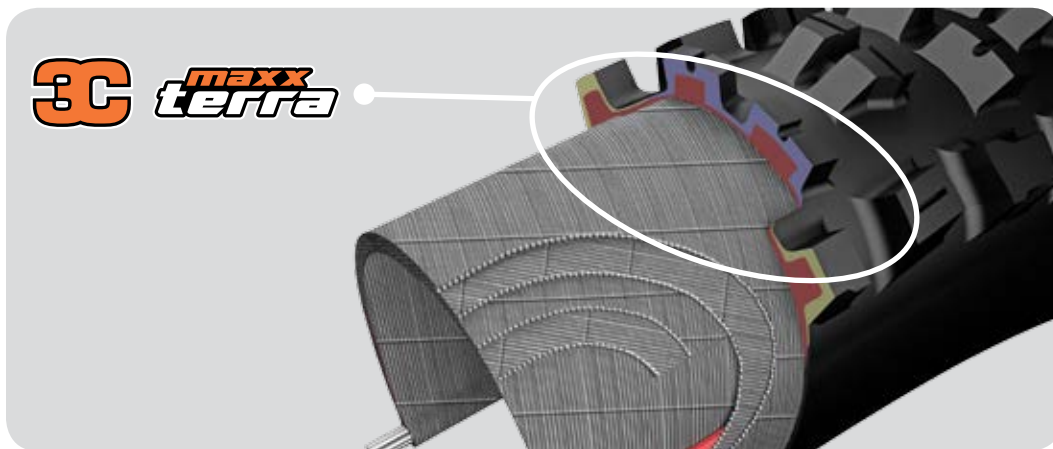
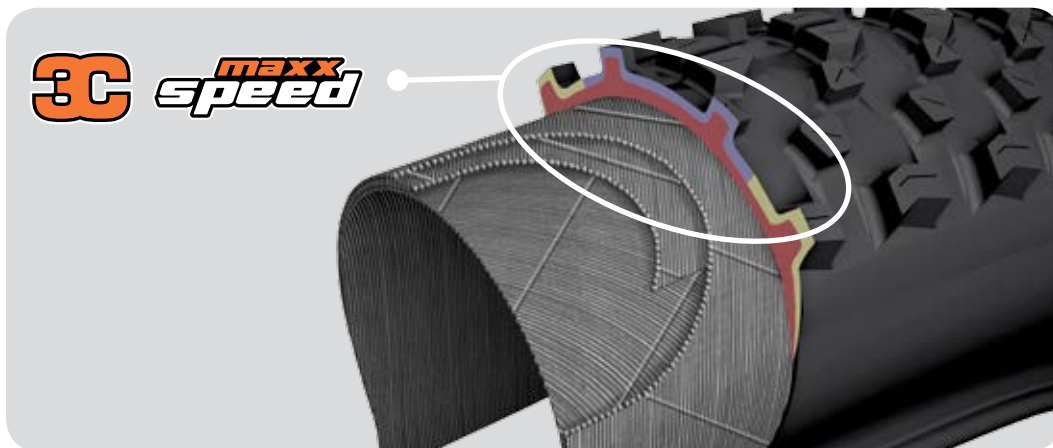
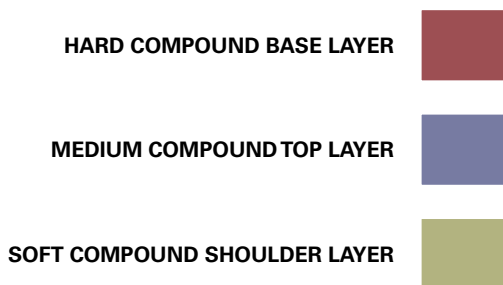
## 3C TRIPLE COMPOUND MOUNTAIN

Maxxis 3C Triple Compound mountain technology uses a harder, longer lasting base layer and two progressively softer top layers in order to optimize traction and stability. Maxxis offers three different configurations of our 3C Triple Compound mountain technology: Maxx Speed, Maxx Terra and Maxx Grip.

**MAXX SPEED** Used primarily in cross country and enduro tires, the two compounds in the outer layer are specially formulated to reduce rolling resistance and optimize treadwear and traction.

**MAXX TERRA** An intermediate compound configuration used in select mountain tires. 3C Maxx Terra is softer and offers more traction than 3C Maxx Speed, yet provides better treadwear and less rolling resistance than Maxx Grip.

**MAXX GRIP** A new name for the downhill 3C compound configuration that you have come to know and trust. 3C Maxx Grip offers the ultimate in grip and slow rebound properties for unparalleled traction in downhill applications.



# TERRAIN GUIDES

## ROAD/HYBRID

MODEL	RACING	SPORT	TRAINING	URBAN COMMUTE	PUNCTURE PROTECTION
Campione	██████████				1 2 <b>3</b> 4
Equipe Légère	██████████				<b>1</b> 2 3 4
Radiale-22c TL	██████████				1 2 <b>3</b> 4
Radiale-22c	██████████				1 2 <b>3</b> 4
Radiale-23c	██████████				1 2 <b>3</b> 4
Cormet	██████████				1 <b>2</b> 3 4
Hors Catégorie	██████████				1 <b>2</b> 3 4
Columbiere	██████████				1 <b>2</b> 3 4
Rouler	██████████				1 <b>2</b> 3 4
Courchevel	██████████	██████████			1 2 3 <b>4</b>
Padrone	██████████	██████████			1 2 <b>3</b> 4
Forza		██████████			1 2 <b>3</b> 4
Detonator		██████████	██████████		1 2 <b>3</b> 4
Re-Fuse		██████████	██████████		1 2 3 <b>4</b>
Detonator Hybrid			██████████		<b>1</b> 2 3 4
Overdrive Elite				██████████	1 2 <b>3</b> 4
Overdrive Excel				██████████	1 2 <b>3</b> 4
Overdrive				██████████	1 2 <b>3</b> 4
Columbiere Hybrid				██████████	1 2 <b>3</b> 4
Xenith 1.5				██████████	1 2 3 4
Roamer				██████████	1 2 3 <b>4</b>
Gypsy				██████████	1 2 <b>3</b> 4
Metropass				██████████	1 2 <b>3</b> 4

1 = Lowest Protection / 4 = Highest Protection

## URBAN/BMX/TRIALS

MODEL	DIRT	STREET	PARK	FLAT	VERT
MaxxDaddy	██████████				
Snyper	██████████	██████████			
Creepy Crawler	██████████	██████████			
Holy Roller	██████████	██████████	██████████		
DTH	██████████	██████████	██████████		
Torch	██████████	██████████	██████████		
M-Tread	██████████	██████████	██████████		
Ringworm	██████████	██████████	██████████		
Rizer	██████████	██████████	██████████		
Hookworm		██████████	██████████		
Grifter		██████████	██████████		
Miracle		██████████	██████████		



PHOTO: CARTER / ROUTE 2

MOUNTAIN/DOWNHILL

MODEL	HARD PACK	LOOSE OVER HARD	MEDIUM	LOOSE	WET	MUD	CORNERING CONTROL	ROLLING EFFICIENCY
MaxxLite 285/29	██████████						1 2 3 4	1 2 3 4
MaxxLite 310/UST	██████████						1 2 3 4	1 2 3 4
Wormdrive UST	██████████						1 2 3 4	1 2 3 4
Larsen Oriflamme	██████████						1 2 3 4	1 2 3 4
Ranchero	██████████	██████████					1 2 3 4	1 2 3 4
Aspen	██████████	██████████	██████████				1 2 3 4	1 2 3 4
Crossmark	██████████	██████████	██████████				1 2 3 4	1 2 3 4
Larsen TT	██████████	██████████	██████████				1 2 3 4	1 2 3 4
Monorail	██████████	██████████	██████████				1 2 3 4	1 2 3 4
Ikon	██████████	██████████	██████████	██████████			1 2 3 4	1 2 3 4
Minion DHR	██████████	██████████	██████████	██████████			1 2 3 4	1 2 3 4
Ignitor		██████████	██████████	██████████			1 2 3 4	1 2 3 4
Ardent Race		██████████	██████████	██████████			1 2 3 4	1 2 3 4
Minion DHF		██████████	██████████	██████████	██████████		1 2 3 4	1 2 3 4
Minion DHR II		██████████	██████████	██████████	██████████		1 2 3 4	1 2 3 4
Ardent		██████████	██████████	██████████	██████████		1 2 3 4	1 2 3 4
Advantage		██████████	██████████	██████████	██████████		1 2 3 4	1 2 3 4
High Roller		██████████	██████████	██████████	██████████		1 2 3 4	1 2 3 4
High Roller II		██████████	██████████	██████████	██████████		1 2 3 4	1 2 3 4
Mobster			██████████	██████████	██████████		1 2 3 4	1 2 3 4
Beaver				██████████	██████████	██████████	1 2 3 4	1 2 3 4
Swampthing				██████████	██████████	██████████	1 2 3 4	1 2 3 4
Medusa					██████████	██████████	1 2 3 4	1 2 3 4
Wetscream					██████████	██████████	1 2 3 4	1 2 3 4

CYCLOCROSS

MODEL	HARD PACK	LOOSE OVER HARD	MEDIUM	LOOSE	WET	MUD	CORNERING CONTROL	ROLLING EFFICIENCY
Raze	██████████	██████████	██████████	██████████			1 2 3 4	1 2 3 4
Larsen Mimo CX		██████████	██████████	██████████	██████████		1 2 3 4	1 2 3 4
Mud Wrestler		██████████	██████████	██████████	██████████	██████████	1 2 3 4	1 2 3 4



# ROAD

## CAMPIONE



PART #	SIZE	TPI	WEIGHT	COMPOUND	MAX PSI	COLOR	TECH
TBD	28"x23	120	TBD	3C	170	Black	3C/K2

RACING	SPORT	TRAINING	URBAN COMMUTE	PUNCTURE PROTECTION
				1 2 <b>3</b> 4

The Campione is the race-specific tubular tire from Maxxis. The supple, high-TPI casing provides the ultimate in ride quality and feel, while the three compounds used in the tread lower rolling resistance and increase cornering grip. And because its Kevlar® Composite (K2) breaker outperforms both Vectran® and regular Kevlar® breakers, the Campione will get you to the finish line. The Campione is the obvious choice for the traditional road racer.

- /// **M6R**
- /// **Tubular**
- /// **3C Triple Compound Technology**
- /// **K2 Puncture Protection**
- /// **High-TPI casing designed for racing and competition**

## FORZA



PART #	SIZE	TPI	WEIGHT	COMPOUND	MAX PSI	COLOR	TECH
TB888102000	28"x23	60	TBD	Dual	170	Black	Silkworm

RACING	SPORT	TRAINING	URBAN COMMUTE	PUNCTURE PROTECTION
				1 2 <b>3</b> 4

The Forza is the tubular tire for sport training. The casing provides the optimal mixture of performance and durability, and the dual-compound tread ensures that the tire will last for many miles, yet still grip hard when needed most. The proprietary Silkworm breaker makes the Forza extremely resistant to cuts and punctures. Choose the Forza if you prefer the feel of tubulars every day.

- /// **M8S**
- /// **Tubular**
- /// **Silkworm Puncture Protection**
- /// **Dual-Compound**

# PADRONE



PART #	SIZE	ETRTO	TPI	BEAD	WEIGHT	COMPOUND	MAX PSI	COLOR	TECH
TB81794000	700x23C	23-622	120	Foldable	295 g	Dual	125	Black	Silkworm

RACING	SPORT	TRAINING	URBAN COMMUTE	PUNCTURE PROTECTION
				1 2 <b>3</b> 4

The Padrone is designed with dual-compound technology for enhanced treadwear and improved cornering control. This tubeless road tire also uses our proprietary Silkworm material for puncture protection, along with a high-strength carbon fiber bead. Maxxis' tubeless technology allows the Padrone to easily conform to the road surface, resulting in the highest ride quality.

- /// **I-MAX**
- /// **Tubeless Road**
- /// **Silkworm Puncture Protection**
- /// **High-strength Carbon Fiber Bead**
- /// **Dual-Compound**

# RADIALE 22c TL



PART #	SIZE	ETRTO	TPI	BEAD	WEIGHT	COMPOUND	MAX PSI	COLOR	TECH
TB86175000	700x22C	22-622	120	Foldable	285 g	Dual	125	Black	Nylon Breaker B2B

RACING	SPORT	TRAINING	URBAN COMMUTE	PUNCTURE PROTECTION
				1 2 <b>3</b> 4

The Maxxis Radiale-TL pushes road racing tire technology to new levels. The Radiale-TL combines the excellent ride quality our radial casing tires are known for and adds the benefits of road tubeless compatibility. When used on a road tubeless-compatible wheel, the Radiale-TL offers a supple ride, excellent cornering traction and a reduced chance of flattening. The Radiale-TL has a lightweight 120 TPI casing, dual-compound rubber and a 2-ply nylon breaker for puncture protection. Choose the Radiale-TL for your next local crit or century ride.

- /// **M214U**
- /// **Tubeless Road**
- /// **Radial casing construction**
- /// **Nylon Breaker B2B**
- /// **Dual-Compound**

**NEW**



## RADIALE 22c



PART #	SIZE	ETRTO	TPI	BEAD	WEIGHT	COMPOUND	MAX PSI	COLOR	TECH
TB86171000	700x22C	22-622	120	Foldable	215 g	3C	145	Black	3C/SilkShield

RACING	SPORT	TRAINING	URBAN COMMUTE	PUNCTURE PROTECTION
				1 2 <b>3</b> 4

Using a true radial casing, the Radiale produces a soft, supple ride, smoothing out the roughest roads. A radial casing allows the sidewall to easily bend and flex, resulting in fewer hysteresis losses than a standard clincher, which stretches or compresses at the contact patch. This technology is designed to produce the supplest ride of any clincher tire. In addition to the radial casing, the tire also uses Maxxis' 3C Triple Compound Technology for greater wear life and cornering control along with SilkShield punctur protection.

- /// **M211R**
- /// **Highly supple with unparalleled cornering grip**
- /// **SilkShield Puncture Protection**
- /// **3C Triple Compound Technology**

## RADIALE 23c



PART #	SIZE	ETRTO	TPI	BEAD	WEIGHT	COMPOUND	MAX PSI	COLOR	TECH
TB86356000	700x23C	23-622	120	Foldable	230 g	3C	145	Black	3C/SilkShield

RACING	SPORT	TRAINING	URBAN COMMUTE	PUNCTURE PROTECTION
				1 2 <b>3</b> 4

All of the technology found in the Radiale-22c with additional tread added to the sidewall to increase traction when cornering. The added siping makes the Radiale-23c perfect for criterium racing and standard road racing in wet conditions.

- /// **M212R**
- /// **SilkShield Puncture Protection**
- /// **3C Triple Compound Technology**
- /// **Added siping for traction in wet conditions**

# COURCHEVEL



PART #	SIZE	ETRTO	TPI	BEAD	WEIGHT	COMPOUND	MAX PSI	COLOR	TECH
TB86345300	700x23C	23-622	120	Foldable	225 g	3C	130	Black / Grey / Grey	3C/MaxxShield
TB86345200	700x23C	23-622	120	Foldable	225 g	3C	130	Orange / Grey / Black	3C/MaxxShield

RACING	SPORT	TRAINING	URBAN COMMUTE	PUNCTURE PROTECTION
				1 2 3 4

Maxxis continues to push the boundaries of the road racing market. The Courchevel was reinvented from rubber to casing. 3C Triple Compound Technology offers better treadwear and improved cornering traction with excellent transition from compound to compound. MaxxShield provides the highest level of puncture resistance and sidewall protection.

- /// **M201-3C**
- /// **3C Triple Compound Technology**
- /// **MaxxShield Puncture Protection**
- /// **Pro road competition tire**

# CORMET



PART #	SIZE	ETRTO	TPI	BEAD	WEIGHT	COMPOUND	MAX PSI	COLOR	TECH
TB86331200	700x23C	23-622	170	Foldable	210 g	Single	130	Black	Nylon Breaker/ONE70

RACING	SPORT	TRAINING	URBAN COMMUTE	PUNCTURE PROTECTION
				1 2 3 4

The Cormet, featuring ONE70 Technology, utilizes a 170 TPI high-thread-count casing, reducing rolling resistance even further than our other racing tires. ONE70 Technology also provides better road feel and weight savings over other racing tires. From the most aggressive crit to the most epic climb, the Maxxis Cormet with ONE70 Technology is destined for racing greatness.

- /// **M208**
- /// **ONE70 Technology**
- /// **Pro road competition tire**
- /// **2-ply Nylon Breaker Puncture Protection**

# COLUMBIERE



PART #	SIZE	ETRTO	TPI	BEAD	WEIGHT	COMPOUND	MAX PSI	COLOR	TECH
TB86355000	700x23C	23-622	120	Foldable	215 g	Single	130	Black	Nylon Breaker
TB86370000	700x25c	25-622	120	Foldable	240 g	Single	130	Black	Nylon Breaker

RACING	SPORT	TRAINING	URBAN COMMUTE	PUNCTURE PROTECTION
				1 2 3 4

The Columbiere is designed for true road racing enthusiasts. The Columbiere's slick design with subtle siping allows racers to cover ground in any conditions with plenty of confidence.

- /// **M204**
- /// **Grooved slick design**
- /// **2-ply Nylon Breaker Puncture Protection**
- /// **Pro road competition tire**



PART #	SIZE	ETRTO	TPI	BEAD	WEIGHT	COMPOUND	MAX PSI	COLOR	TECH
TB81793000	700x23C	23-622	120	Foldable	215 g	Dual	130	Black	Silkworm
TB81793100	700x23C	23-622	120	Foldable	215 g	Dual	130	Red	Silkworm
TB81793200	700x23C	23-622	120	Foldable	215 g	Dual	130	Orange	Silkworm
TB81793300	700x23C	23-622	120	Foldable	215 g	Dual	130	Yellow	Silkworm
TB81793400	700x23C	23-622	120	Foldable	215 g	Dual	130	Lime	Silkworm
TB81793500	700x23C	23-622	120	Foldable	215 g	Dual	130	Blue	Silkworm
TB81793600	700x23C	23-622	120	Foldable	215 g	Dual	130	Pink	Silkworm
TB81793700	700x23C	23-622	120	Foldable	215 g	Dual	130	White	Silkworm
TB81793800	700x23C	23-622	120	Foldable	215 g	Dual	130	Grey	Silkworm

RACING	SPORT	TRAINING	URBAN COMMUTE	PUNCTURE PROTECTION
				1 2 3 4

A lightweight, supple and race-ready tire available in a rainbow of colors. The Roulер features a 120 TPI casing for a smooth ride, a Silkworm breaker for puncture protection and a dual-compound tread pattern for improved cornering performance.

- /// **M3D**
- /// **Pro road competition tire**
- /// **Silkworm Puncture Protection**

# XENITH EQUIPE LÉGERE



PART #	SIZE	ETRTO	TPI	BEAD	WEIGHT	COMPOUND	MAX PSI	COLOR	TECH
TB86347000	700x23C	23-622	120	Foldable	155 g	Single	145	Black	—

RACING	SPORT	TRAINING	URBAN COMMUTE	PUNCTURE PROTECTION
1	2	3	4	

When low weight and a supple ride are your priorities, the Xenith Equipe Légère is your tire. Where punctures are unlikely, choose the Xenith Equipe Légère for extreme acceleration.

- /// **M201PL**
- /// **Extremely lightweight**
- /// **Pro road competition tire**

# XENITH HORS CATÉGORIE



PART #	SIZE	ETRTO	TPI	BEAD	WEIGHT	COMPOUND	MAX PSI	COLOR	TECH
TB51753000	650x23C	23-571	120	Foldable	200 g	Dual	130	Black / Grey	Nylon Breaker
TB86068500	700x20C	20-622	120	Foldable	175 g	Dual	130	Black / Grey	Nylon Breaker
TB86340900	700x23C	23-622	120	Foldable	220 g	Dual	130	Black / Grey	Nylon Breaker

RACING	SPORT	TRAINING	URBAN COMMUTE	PUNCTURE PROTECTION
				1 2 3 4

Like the Equipe Légère, the Hors Catégorie is a professional-level road racing tire with a 120 TPI casing, with an added 2-ply nylon breaker for puncture resistance. The Hors Catégorie offers two different rubber compounds to optimize your ride. The harder center tread has ultra-low rolling resistance and wears slowly, while the softer shoulder tread offers incredible grip in tight corners.

- /// **M201**
- /// **Pro road competition tire**
- /// **2-ply Nylon Breaker Puncture Protection**

## DETONATOR



PART #	SIZE	ETRTO	TPI	BEAD	WEIGHT	COMPOUND	MAX PSI	COLOR	TECH
TB86349100	700x23C	23-622	27	Wire	325 g	Dual	120	Blue	Silkworm
TB86350800	700x23C	23-622	27	Wire	325 g	Dual	120	Grey	Silkworm
TB86349200	700x23C	23-622	27	Wire	325 g	Dual	120	Red	Silkworm
TB86349300	700x23C	23-622	27	Wire	325 g	Dual	120	Yellow	Silkworm
TB86351000	700x23C	23-622	60	Foldable	235 g	Dual	120	Sky Blue	Silkworm
TB86351700	700x23C	23-622	60	Foldable	235 g	Dual	120	Lime	Silkworm
TB86352000	700x23C	23-622	60	Foldable	240 g	Dual	120	Red	Silkworm
TB86352100	700x23C	23-622	60	Foldable	240 g	Dual	120	Grey	Silkworm
TB86352200	700x23C	23-622	60	Foldable	240 g	Dual	120	Yellow	Silkworm
TB86352300	700x23C	23-622	60	Foldable	240 g	Dual	120	Orange	Silkworm
TB86353000	700x23C	23-622	60	Foldable	240 g	Dual	120	Blue	Silkworm
TB86353600	700x23C	23-622	60	Foldable	230 g	Dual	120	Pink	Silkworm
TB86353700	700x23C	23-622	60	Foldable	230 g	Dual	120	White	Silkworm
TB86365100	700x25C	25-622	27	Wire	325 g	Dual	120	Blue	—
TB86365400	700x25C	25-622	27	Wire	325 g	Dual	120	Grey	—
TB86365200	700x25C	25-622	27	Wire	325 g	Dual	120	Red	—
TB86367600	700x25C	25-622	27	Wire	325 g	Dual	120	White	—
TB86366200	700x25C	25-622	27	Wire	325 g	Dual	120	Lime	—
TB86367000	700x25C	25-622	60	Foldable	250 g	Dual	120	Blue	Silkworm
TB86367500	700x25C	25-622	60	Foldable	250 g	Dual	120	Grey	Silkworm
TB88500000	700x28C	28-622	27	Wire	315 g	Dual	120	Blue	—
TB88499200	700x28C	28-622	27	Wire	335 g	Dual	120	White	—
TB88499600	700x28C	28-622	27	Wire	320 g	Dual	120	Black	—

RACING	SPORT	TRAINING	URBAN COMMUTE	PUNCTURE PROTECTION

1 2 3 4

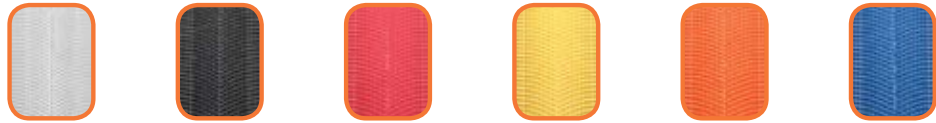
With its dual-compound tread pattern, the Maxxis Detonator provides a durable training tire with a race pedigree. Softer silica compound on the outer edges of the tire allows for great traction in a variety of road conditions. The Detonator is durable enough to provide plenty of winter miles, yet supple and grippy enough to race on in the summer.

- /// M203
- /// M-shaped grooved tread pattern
- /// Silkworm Breaker Puncture Protection
- /// Training tire



PHOTO: DEVICH

# RE-FUSE



PART #	SIZE	ETRTO	TPI	BEAD	WEIGHT	COMPOUND	MAX PSI	COLOR	TECH
TB86336000	700x23C	23-622	60	Foldable	295 g	Single	120	Black	MaxxShield
TB86336100	700x23C	23-622	60	Foldable	300 g	Single	120	Red	MaxxShield
TB86336200	700x23C	23-622	60	Foldable	300 g	Single	120	Yellow	MaxxShield
TB86336300	700x23C	23-622	60	Foldable	300 g	Single	120	Orange	MaxxShield
TB86336400	700x23C	23-622	60	Foldable	300 g	Single	120	Blue	MaxxShield
TB86336500	700x23C	23-622	60	Foldable	300 g	Single	120	White	MaxxShield
TB86335700	700x23C	23-622	60	Wire	360 g	Single	120	White	MaxxShield
TB86359000	700x25C	25-622	60	Foldable	310 g	Single	120	Black	MaxxShield
TB88505000	700x28C	28-622	60	Foldable	320 g	Single	120	Black	MaxxShield

RACING	SPORT	TRAINING	URBAN COMMUTE	PUNCTURE PROTECTION
				1 2 3 4

Our most popular training tire, providing excellent training and commuting dependability. The Re-Fuse will rack up plenty of road miles in all riding conditions.

- /// **M200**
- /// **Diamond-knurled slick design**
- /// **MaxxShield Puncture Protection**



PHOTO: DEVICH



# CYCLOCROSS

# MUD WRESTLER



PART #	SIZE	ETRTO	TPI	BEAD	WEIGHT	COMPOUND	MAX PSI
TB88987000	700x33C	33-622	60	Wire	415 g	Single	75
TB88987100	700x33C	33-622	60	Foldable	365 g	Single	75

HARD PACK	LOOSE/HARD	MEDIUM	LOOSE	WET	MUD	CORNERING CONTROL	ROLLING EFFICIENCY
						1 2 3 4	1 2 3 4

The Mud Wrestler offers outstanding performance in wet conditions so common to this grueling race discipline. The center knobs are continuously ramped to roll fast, while the aggressive side knobs cut through the nastiest mud and snow. The Mud Wrestler sheds mud with ease thanks to its open tread design. If you are looking for an all-conditions race tire, then the Mud Wrestler is for you.

- /// **M209P**
- /// **Fast-rolling ramped center knobs**
- /// **Sheds mud quickly**
- /// **Aggressive side knobs for controlled cornering**



PART #	SIZE	ETRTO	TPI	BEAD	WEIGHT	COMPOUND	MAX PSI
TB88985000	700x33C	33-622	60	Wire	405 g	Single	75
TB88985200	700x33C	33-622	60	Foldable	355 g	Single	75

HARD PACK	LOOSE/HARD	MEDIUM	LOOSE	WET	MUD	CORNERING CONTROL	ROLLING EFFICIENCY
						1 2 3 4	1 2 3 4

Accept no limitations. The diverse terrain of a cyclocross race requires a unique solution: the Raze. A fast-rolling center ridge with widely spaced side lugs sheds mud. The Raze's slightly softer compound remains pliable in cold conditions, and the improved casing maintains integrity at low pressures.

- /// **M206P**
- /// **Versatile cyclocross tread design**



## LARSEN MIMO CX



PART #	SIZE	ETRTO	TPI	BEAD	WEIGHT	COMPOUND	MAX PSI
TB88850000	700x32C	32-622	60	Wire	330 g	Single	75
TB91440000	700x35C	35-622	60	Wire	350 g	Single	75
TB91443000	700x35C	35-622	60	Foldable	300 g	Single	75

HARD PACK	LOOSE/HARD	MEDIUM	LOOSE	WET	MUD	CORNERING CONTROL	ROLLING EFFICIENCY
						1 2 3 4	1 2 3 4

The MiMo CX is engineered for the wet terrain that cyclocross races are known for. Generous ramping on the larger knobs gives the MiMo CX low rolling resistance, while the smaller, round knobs in-between give extra bite in loose terrain.

- /// **M125**
- /// **Ramped round knob design, front or rear**
- /// **Directional tread**



PHOTO: MEAGHER



# HYBRID

# COLUMBIERE-HYBRID



PART #	SIZE	ETRTO	TPI	BEAD	WEIGHT	COMPOUND	MAX PSI	TECH
TB88852500	700x32C	32-622	60	Wire	370 g	Single	100	Silkworm

RACING	SPORT	TRAINING	URBAN COMMUTE	PUNCTURE PROTECTION
				1 2 <b>3</b> 4

The Columbiere's slick design with subtle siping allows hybrid cyclists to cover ground in any condition with plenty of confidence. This hybrid version of the already-proven race tread features a SilkWorm breaker for added puncture resistance – a necessary attribute for any unforeseen circumstance.

- /// **M204P**
- /// **Grooved slick design**
- /// **SilkWorm Puncture Protection**
- /// **Added tread siping**

# XENITH 1.5



PART #	SIZE	ETRTO	TPI	BEAD	WEIGHT	COMPOUND	MAX PSI	TECH
TB58903100	26x1.50	40-559	60	Wire	465 g	Single	80	—
TB58905100	26x1.50	40-559	60	Foldable	425 g	Single	80	—

RACING	SPORT	TRAINING	URBAN COMMUTE	PUNCTURE PROTECTION
				1 2 3 4

Even the pros can't always travel with two bikes, yet training on the road is one of the best ways to condition for an off-road race. Make your MTB perform double-duty with the Xenith 1.5. The narrow casing makes the Xenith 1.5 extremely responsive, and the slick tread rolls fast while gripping all types of pavement.

- /// **M201P**
- /// **Slick design**
- /// **Narrow profile for low weight**
- /// **Mountain bike-specific slick**

# HYBRID

## DETONATOR HYBRID



The Detonator Hybrid uses the same tread pattern as one of our most popular road training tires and adapts it to a 26 inch size perfect for commuting or road training on your mountain bike. There's no shortage of options with three widths, single or dual-compound rubber, wire or folding bead and eight colors to choose from.

- /// **M203**
- /// **M-shaped grooved tread pattern**
- /// **Narrow profile for low weight**

PART #	SIZE	ETRTO	TPI	BEAD	WEIGHT	COMPOUND	MAX PSI	COLOR
TB51903000	26x1.00	25-559	60	Wire	265 g	Single	100	Black
TB51904000	26x1.00	25-559	60	Foldable	225 g	Single	100	Black
TB52370000	26x1.25	32-559	60	Wire	345 g	Single	100	Black
TB52370100	26x1.25	32-559	60	Wire	310 g	Dual	100	Blue
TB52370200	26x1.25	32-559	60	Wire	310 g	Dual	100	Red
TB52370300	26x1.25	32-559	60	Wire	310 g	Dual	100	Yellow
TB52370500	26x1.25	32-559	60	Wire	310 g	Dual	100	White
TB52370600	26x1.25	32-559	60	Wire	310 g	Dual	100	Lime
TB52370700	26x1.25	32-559	60	Wire	310 g	Dual	100	Grey
TB52371000	26x1.25	32-559	60	Foldable	300 g	Single	100	Black
TB52371100	26x1.25	32-559	60	Foldable	265 g	Dual	100	Blue
TB52371200	26x1.25	32-559	60	Foldable	265 g	Dual	100	Orange
TB52371300	26x1.25	32-559	60	Foldable	265 g	Dual	100	Red
TB52371400	26x1.25	32-559	60	Foldable	265 g	Dual	100	White
TB52371500	26x1.25	32-559	60	Foldable	265 g	Dual	100	Yellow
TB52371600	26x1.25	32-559	60	Foldable	265 g	Dual	100	Lime
TB52371700	26x1.25	32-559	60	Foldable	265 g	Dual	100	Grey
TB58906000	26x1.50	40/38-559	60	Wire	470 g	Dual	80	Lime
TB58906100	26x1.50	40/38-559	60	Wire	470 g	Dual	80	Grey
TB58907000	26x1.50	40/38-559	60	Wire	515 g	Single	80	Black
TB58907200	26x1.50	40/38-559	60	Wire	470 g	Dual	80	Blue
TB58907300	26x1.50	40/38-559	60	Wire	470 g	Dual	80	Red
TB58907400	26x1.50	40/38-559	60	Wire	470 g	Dual	80	Yellow
TB58907500	26x1.50	40/38-559	60	Wire	470 g	Dual	80	Orange
TB58907600	26x1.50	40/38-559	60	Wire	470 g	Dual	80	White
TB58908000	26x1.50	40/38-559	60	Foldable	475 g	Single	80	Black
TB58908100	26x1.50	40/38-559	60	Foldable	430 g	Dual	80	Blue
TB58908200	26x1.50	40/38-559	60	Foldable	430 g	Dual	80	Orange
TB58908300	26x1.50	40/38-559	60	Foldable	430 g	Dual	80	Red
TB58908400	26x1.50	40/38-559	60	Foldable	430 g	Dual	80	White
TB58908500	26x1.50	40/38-559	60	Foldable	430 g	Dual	80	Yellow
TB58908600	26x1.50	40/38-559	60	Foldable	430 g	Dual	80	Lime
TB58908700	26x1.50	40/38-559	60	Foldable	430 g	Dual	80	Grey

# METROPASS



PART #	SIZE	ETRT0	TPI	BEAD	WEIGHT	COMPOUND	MAX PSI	TECH
TB65715000	26x1.80	42-559	120	Foldable	450 g	Dual	65	K2
TB66035000	26x1.90	47-559	120	Foldable	520 g	Dual	65	K2

RACING	SPORT	TRAINING	URBAN COMMUTE	PUNCTURE PROTECTION
				1 2 <b>3</b> 4

Your commute has changed; so has your favorite tire. The MetroPass combines Maxxis' top technologies in a fast, light, puncture-resistant tire that gets you there with more speed, less fuss and a lot more fun. K2 provides unsurpassed puncture resistance; 120 TPI casing gives great road feel; the dual-compound tread gives long wear-life and incredible traction regardless of the weather and a foldable bead keeps it all light-weight. It's not your ordinary commuter tire: it's your new high-speed passion.

- /// **M2010**
- /// **Dual-Compound**
- /// **Lightweight 120 TPI Casing**
- /// **K2 Puncture Protection**

# OVERDRIVE



PART #	SIZE	ETRT0	TPI	BEAD	WEIGHT	COMPOUND	MAX PSI	TECH
TB64110400	26x1.75x2	47-559	27	Wire	660 g	Single	50	Maxx Protect
TB64110800	26x1.75x2	47-559	60	Wire	585 g	Single	50	Kevlar Inside
TB64110600	26x1.75x2	47-559	60	Wire	615 g	Single	50	K2
TB90108400	28x1 5/8x 1 3/8	37-622	27	Wire	620 g	Single	75	Maxx Protect
TB90108000	28x1 5/8x 1 3/8	37-622	60	Wire	520 g	Single	75	Kevlar Inside
TB90108700	28x1 5/8x 1 3/8	37-622	60	Wire	500 g	Single	75	K2
TB95688400	700x38C	40-622	27	Wire	680 g	Single	75	Maxx Protect
TB95688700	700x38C	40-622	60	Wire	590 g	Single	75	K2
TB96135500	700x40C	42-622	27	Wire	695 g	Single	75	Maxx Protect
TB96135800	700x40C	42-622	60	Wire	590 g	Single	75	K2

RACING	SPORT	TRAINING	URBAN COMMUTE	PUNCTURE PROTECTION
				1 2 <b>3</b> 4

Created to meet the demands of the European trekking market, the Overdrive has a grooved slick design for all-weather applications as well as various technologies to provide excellent protection from encounters with road debris.

- /// **M2003**
- /// **Grooved slick design**
- /// **Various puncture protection options**
- /// **Reflective stripe for added visibility**

# OVERDRIVE EXCEL



PART #	SIZE	ETRTO	TPI	BEAD	WEIGHT	COMPOUND	MAX PSI	TECH
TB64505000	26x1.75	42-559	60	Wire	555 g	Dual	80	SilkShield
TB69104300	26x2.00	50-559	60	Wire	725 g	Dual	65	SilkShield
TB88842000	700x32C	32-622	60	Wire	475 g	Dual	75	SilkShield
TB91437000	700x35C	35-622	60	Wire	535 g	Dual	75	SilkShield
TB96137000	700x40C	40-622	60	Wire	625 g	Dual	75	SilkShield

RACING	SPORT	TRAINING	URBAN COMMUTE	PUNCTURE PROTECTION
				1 2 <b>3</b> 4

The Overdrive Excel features SilkShield for puncture protection and durability and a dual-compound tread design to make the perfect economical trekking tire. Along with all its other great ride qualities, the Excel has a reflective stripe on the sidewall, keeping you visible at night for city riding. If getting a reliable, high-performance trekking tire at an economical price is what you're after, the Overdrive Excel is the tire for you.

- /// **M2013**
- /// **Dual-Compound**
- /// **SilkShield Puncture Protection**
- /// **Reflective stripe for added visibility**

# OVERDRIVE ELITE



PART #	SIZE	ETRTO	TPI	BEAD	WEIGHT	COMPOUND	MAX PSI	TECH
TB20120000	20x1.15	28-406	60	Wire	245 g	Single	100	K2
TB22310000	20x1.35	32-406	60	Wire	365 g	Single	100	K2
TB64506000	26x1.75	42-559	120	Foldable	500 g	Dual	80	K2
TB91438000	700x35C	35-622	120	Foldable	475 g	Dual	75	K2

RACING	SPORT	TRAINING	URBAN COMMUTE	PUNCTURE PROTECTION
				1 2 <b>3</b> 4

The Overdrive Elite is our high-performance hybrid tire, featuring dual-compound technology and K2 Kevlar® Composite Puncture Protection to keep you rolling on the roughest roads. Also featuring a reflective sidewall stripe for night-time visibility, the Overdrive Elite is built for the long haul, with a durable design for everything from city streets to country dirt roads.

- /// **M2013**
- /// **Dual-Compound**
- /// **K2 Puncture Protection**
- /// **Reflective stripe for added visibility**

# ROAMER

# GYPSY



PART #	SIZE	ETRTO	TPI	BEAD	WEIGHT	COMPOUND	MAX PSI	TECH
TB23110000	20x1.65	42-406	60	Wire	460 g	Dual	100	Kevlar Inside
TB60865000	26x1.65	42-559	60	Wire	600 g	Dual	80	Kevlar Inside
TB96354000	700x42C	44-622	60	Wire	715 g	Dual	75	Kevlar Inside
TB96356000	700x42C	44-622	60	Wire	690 g	Dual	75	ebike/SilkShield

PART #	SIZE	ETRTO	TPI	BEAD	WEIGHT	COMPOUND	MAX PSI	TECH
TB22781000	20x1.50	38-406	60	Wire	400 g	Dual	100	Silkworm
TB58915000	26x1.50	38-559	60	Wire	495 g	Dual	80	SilkShield
TB69917000	26x2.10	53-559	60	Wire	785 g	Dual	65	ebike/SilkShield
TB95734000	700x38C	40-622	60	Wire	645 g	Dual	85	SilkShield
TB95735000	700x38C	40-622	60	Wire	645 g	Dual	85	ebike/SilkShield

RACING	SPORT	TRAINING	URBAN COMMUTE	PUNCTURE PROTECTION
				1 2 3 4

RACING	SPORT	TRAINING	URBAN COMMUTE	PUNCTURE PROTECTION
				1 2 3 4

The Roamer is ready for anything from your daily commute, a trip to the store, or a long weekend of touring the back roads. The slick center rolls fast and the leaf-like tread on the shoulders provides extra cornering traction. To ensure lots of trouble-free miles, the Roamer uses a high-mileage rubber compound along with a 60 TPI casing with various puncture protection options.

- /// **M2016**
- /// **Grooved slick design**
- /// **Kevlar Inside and SilkShield options available**
- /// **Conforms to the European ECE-R75 certification for E-bikes**

Unleash your inner wanderer with the Gypsy. To keep your adventure on course, the Gypsy uses a 60 TPI casing and our Silkworm breaker puncture protection beneath the tread. The Gypsy offers a durable yet comfortable ride with low rolling resistance and excellent traction.

- /// **M2015**
- /// **Grooved slick design**
- /// **Silkworm options**
- /// **Conforms to the European ECE-R75 certification for E-bikes**





# MOUNTAIN



# HIGH ROLLER II



	PART #	SIZE	ETRTO	TPI	BEAD	WEIGHT	COMPOUND	MAX PSI	TECH
NEW	TB73307000	26x2.30	58-559	60	Foldable	835 g	Dual	60	EXO/TR
NEW	TB73307100	26x2.30	58-559	60	Foldable	840 g	3C MaxxTerra	60	3C/EXO/TR
	TB74177300	26x2.40	61-559	60	Foldable	920 g	Single	65	EXO
	TB74177500	26x2.40	61-559	60	Foldable	855 g	3C MaxxTerra	65	3C/EXO
NEW	TB85915400	27.5x2.40	61-584	60	Foldable	965 g	Single	65	EXO
NEW	TB85915500	27.5x2.40	61-584	60	Foldable	890 g	3C MaxxTerra	65	3C/EXO
NEW	TB96769000	29x2.30	58-622	60	Foldable	910 g	Dual	60	EXO/TR
NEW	TB96769100	29x2.30	58-622	60	Foldable	920 g	3C MaxxTerra	60	3C/EXO/TR

HARD PACK	LOOSE/HARD	MEDIUM	LOOSE	WET	MUD	CORNERING CONTROL	ROLLING EFFICIENCY
						1 2 <b>3</b> 4	1 <b>2</b> 3 4

An open and aggressive tread design gives the High Roller II excellent soil penetration and mud-clearing ability. A square profile provides a solid, consistent feel across the knobs. Modified knobs on the shoulder and center improve braking performance and traction on hard surfaces. An excellent choice for technical, freeride terrain.

- /// **M325**
- /// **Open tread design**
- /// **Improved braking and traction**
- /// **3C Maxx Terra available**
- /// **Tubeless Ready (TR) available**



PHOTO: CARTER / ROUTE 2

# MOUNTAIN

## MAXXLITE 285 & 29



PART #	SIZE	ETRTO	TPI	BEAD	WEIGHT	COMPOUND	MAX PSI	TECH
TB69089000	26x2.00	50-559	170	Foldable	285 g	Dual	60	Silkworm/ONE70
TB96685000	29x2.00	50-622	170	Foldable	345 g	Dual	60	Silkworm/ONE70

HARD PACK	LOOSE/HARD	MEDIUM	LOOSE	WET	MUD	CORNERING CONTROL	ROLLING EFFICIENCY
1	2	3	4	1	2	3	4

285 grams! A triumph of Maxxis engineering. With a dual-compound tread and our ONE70 TPI technology, the MaxxLite 285 is the lightweight racing tire champion of the world. The blazing fast tread pattern of the MaxxLite 285 is now available in a 29-inch size! Get those big wheels rolling with the MaxxLite 29.

- /// **M285 / M324**
- /// **Tightly-spaced ramped center tread**
- /// **Dual-Compound**
- /// **Silkworm Puncture Protection**
- /// **ONE70 Technology**
- /// **Race use only**

## MAXXLITE 310



PART #	SIZE	ETRTO	TPI	BEAD	WEIGHT	COMPOUND	MAX PSI	TECH
TB66548000	26x1.95	44-559	170	Foldable	310 g	Single	65	Silkworm/ONE70

HARD PACK	LOOSE/HARD	MEDIUM	LOOSE	WET	MUD	CORNERING CONTROL	ROLLING EFFICIENCY
1	2	3	4	1	2	3	4

With a specially formulated compound and lightweight casing, the MaxxLite 310 is a swift solution to your cross country racing needs. If you're ready for extreme acceleration on hard, dry surfaces, it's time to experience the MaxxLite 310.

- /// **M310**
- /// **Fast-rolling ramped knobs**
- /// **Silkworm Puncture Protection**
- /// **ONE70 Technology**
- /// **Race use only**

# BEAVER



	PART #	SIZE	ETRTO	TPI	BEAD	WEIGHT	COMPOUND	MAX PSI	TECH
NEW	TB69107000	26x2.00	50-559	60	Wire	555 g	Dual	65	—
NEW	TB69107100	26X2.00	50-559	60	Foldable	515 g	Dual	65	—
NEW	TB69107200	26x2.00	50-559	120	Foldable	470 g	Dual	65	—
	TB96645000	29x2.00	50-622	60	Wire	660 g	Dual	65	—
	TB96645100	29x2.00	50-622	60	Foldable	575 g	Dual	65	—
	TB96645200	29x2.00	50-622	120	Foldable	520 g	Dual	65	—

HARD PACK	LOOSE/HARD	MEDIUM	LOOSE	WET	MUD	CORNERING CONTROL	ROLLING EFFICIENCY
						1 2 <b>3</b> 4	1 2 <b>3</b> 4

The Beaver features a tread design ideal for wet and muddy conditions. The dual-compound tread uses a hard base layer to reduce rolling resistance and provide knob support, while the siped, softer outer layer provides unparalleled grip on wet rocks and roots. The Beaver is one aquatic-friendly animal of a tire!

- /// **M326P**
- /// **Wet and muddy conditions**
- /// **Dual-Compound Technology**

# MOUNTAIN IKON



	PART #	SIZE	ETRTO	TPI	BEAD	WEIGHT	COMPOUND	MAX PSI	TECH
	TB72385200	26x2.20	57-559	60	Wire	620 g	Dual	65	—
	TB72385300	26x2.20	57-559	60	Foldable	540 g	Dual	65	—
	TB72385400	26x2.20	57-559	120	Foldable	515 g	Dual	65	Silkworm
	TB72385100	26x2.20	57-559	120	Foldable	480 g	3C Maxx Speed	65	3C
	TB72385000	26x2.20	57-559	120	Foldable	540 g	3C Maxx Speed	65	3C/EXO
	TB72390000	26x2.20	57-559	120	Foldable	535 g	3C Maxx Speed	60	3C/TR
	TB72390100	26x2.20	57-559	120	Foldable	585 g	3C Maxx Speed	60	3C/EXO/TR
	TB73497000	26x2.35	60-559	120	Foldable	590 g	3C Maxx Speed	65	3C
	TB73497100	26x2.35	60-559	120	Foldable	645 g	3C Maxx Speed	65	3C/EXO
	TB96753200	29x2.20	57-622	60	Wire	655 g	Dual	65	—
	TB96753300	29x2.20	57-622	60	Foldable	580 g	Dual	65	—
	TB96753400	29x2.20	57-622	120	Foldable	560 g	Dual	65	Silkworm
	TB96753100	29x2.20	57-622	120	Foldable	520 g	3C Maxx Speed	65	3C
	TB96753000	29x2.20	57-622	120	Foldable	590 g	3C Maxx Speed	65	3C/EXO
	TB96740000	29x2.20	57-622	120	Foldable	590 g	3C Maxx Speed	60	3C/TR
	TB96740100	29x2.20	57-622	120	Foldable	645 g	3C Maxx Speed	60	3C/EXO/TR
	TB96729000	29x2.35	60-622	120	Foldable	685 g	3C Maxx Speed	65	3C
	TB96729100	29x2.35	60-622	120	Foldable	760 g	3C Maxx Speed	65	3C/EXO

HARD PACK	LOOSE/HARD	MEDIUM	LOOSE	WET	MUD	CORNERING CONTROL	ROLLING EFFICIENCY
						1 2 <b>3</b> 4	1 2 <b>3</b> 4

The Ikon is for riders looking for a true lightweight race tire. Its high-volume casing and fast-rolling tread design provide exemplary performance in most riding conditions. As its name suggests, the Ikon stands above the competition.

- /// **M319P**
- /// **High-volume, lightweight race tire**
- /// **3C Maxx Speed Triple Compound Technology available**

# LARSEN ORIFLAMME



PART #	SIZE	ETRTO	TPI	BEAD	WEIGHT	COMPOUND	MAX PSI	TECH
TB69091100	26x2.00	50-559	60	Wire	680 g	Single	65	—
TB69095500	26x2.00	50-559	120	Foldable	540 g	Single	65	Silkworm

HARD PACK	LOOSE/HARD	MEDIUM	LOOSE	WET	MUD	CORNERING CONTROL	ROLLING EFFICIENCY
						1 2 3 4	1 2 3 4

Designed specifically for hardpack cross country and short-track races, the Oriflamme is not suitable for every race. But when conditions are right, the diamond-knurled center and slightly raised side knobs offer that extra boost to push you to the top of the podium.

- /// **M138P**
- /// **Low-resistance diamond-knurled center**
- /// **Race use only**

# ASPEN



PART #	SIZE	ETRTO	TPI	BEAD	WEIGHT	COMPOUND	MAX PSI	TECH
TB69797000	26x2.10	52-559	60	Wire	610 g	Dual	65	—
TB69797500	26x2.10	52-559	60	Foldable	525 g	Dual	65	—
TB69798000	26x2.10	52-559	120	Foldable	475 g	Dual	65	—
TB72557000	26x2.25	54-559	60	Wire	670 g	Dual	65	—
TB72557500	26x2.25	54-559	60	Foldable	590 g	Dual	65	—
TB72558000	26x2.25	54-559	120	Foldable	535 g	Dual	65	—
TB96689500	29x2.10	52-622	60	Foldable	585 g	Dual	65	—
TB96689000	29x2.10	52-622	120	Foldable	530 g	Dual	65	—

HARD PACK	LOOSE/HARD	MEDIUM	LOOSE	WET	MUD	CORNERING CONTROL	ROLLING EFFICIENCY
						1 2 3 4	1 2 3 4

The Aspen pushes the limits of a lightweight XC tire, designed to have minimal rolling resistance with a high-volume casing to smooth out the roughest roots and rocks. The dual-compound gives optimal traction in corners. So if crossing the finish line first is your top priority, the Aspen is for you.

- /// **M316**
- /// **Race-inspired low-profile design**
- /// **Aggressive side knobs**
- /// **Lightweight XC race tire**
- /// **Dual-Compound**

# CROSSMARK



PART #	SIZE	ETRTO	TPI	BEAD	WEIGHT	COMPOUND	MAX PSI	TECH
TB66721000	26x1.95	47-559	60	Wire	540 g	Single	65	—
TB66722000	26x1.95	47-559	60	Foldable	500 g	Single	65	—
TB66722500	26x1.95	47-559	120	Foldable	480 g	Single	65	Silkworm
TB69783000	26x2.10	52-559	60	Wire	635 g	Single	65	—
TB69784000	26x2.10	52-559	60	Foldable	545 g	Single	65	—
TB69783200	26x2.10	52-559	120	Foldable	515 g	Single	65	Silkworm
TB69783300	26x2.10	52-559	120	Foldable	545 g	Single	65	EXO
TB69624000	26x2.10	52-559	120	Foldable	725 g	Dual	60	LUST/UST
TB72547000	26x2.25	54-559	60	Wire	720 g	Single	65	—
TB72548000	26x2.25	54-559	60	Foldable	640 g	Single	65	—
TB72545000	26x2.25	54-559	120	Foldable	885 g	Dual	60	LUST/UST
TB85910000	27.5x2.10	54-584	60	Wire	665 g	Single	65	—
TB85910100	27.5x2.10	54-584	60	Foldable	575 g	Single	65	—
TB85910400	27.5x2.10	54-584	120	Foldable	515 g	Single	65	—
TB96698000	29x2.10	52/52-622	60	Wire	680 g	Single	65	—
TB96699000	29x2.10	52/52-622	60	Foldable	605 g	Single	65	—
TB96697000	29x2.10	53-622	120	Foldable	840 g	Dual	60	LUST/UST

NEW  
NEW  
NEW

HARD PACK	LOOSE/HARD	MEDIUM	LOOSE	WET	MUD	CORNERING CONTROL	ROLLING EFFICIENCY
						1 2 3 4	1 2 3 4

The CrossMark is the dramatic evolution of the cross country racing tire. The nearly continuous center ridge flies on hardpack, yet has enough spacing to grab wet roots and rocks. The slightly raised ridge of side knobs offers cornering precision never before seen on a tire this fast.

- /// M309
- /// Fast-rolling center ridge
- /// Raised side knobs for better cornering

# MOUNTAIN

# LARSEN TT



PART #	SIZE	ETRTO	TPI	BEAD	WEIGHT	COMPOUND	MAX PSI	TECH
TB65994100	26x1.90	44-559	60	Wire	475 g	Single	65	—
TB65998100	26x1.90	44-559	60	Foldable	430 g	Single	65	—
TB65998500	26x1.90	44-559	120	Foldable	380 g	Single	65	Silkworm
TB65993200	26x1.90	44-559	120	Foldable	590 g	Dual	60	LUST/UST
TB69084100	26x2.00	50-559	60	Wire	625 g	Single	65	—
TB69087000	26x2.00	50-559	60	Foldable	545 g	Single	65	—
TB69088500	26x2.00	50-559	120	Foldable	505 g	Single	65	Silkworm
TB69103100	26x2.00	50-559	120	Foldable	725 g	Dual	60	LUST/UST
TB73536600	26x2.35	52-559	60	Wire	700 g	Single	65	—
TB73539800	26x2.35	52-559	60	Foldable	625 g	Single	65	—
TB73536500	26x2.35	52-559	60	Wire	735 g	Super Tacky	65	ST
TB73537600	26x2.35	52-559	60	Wire	1,015 g	Single	65	DH Casing
TB73537000	26x2.35	52-559	60	Wire	1,050 g	Super Tacky	65	ST/DH Casing

HARD PACK	LOOSE/HARD	MEDIUM	LOOSE	WET	MUD	CORNERING CONTROL	ROLLING EFFICIENCY
						1 2 3 4	1 2 3 4

The TT works on a vast number of terrains and conditions, which is why it is the favored tread of many of our pro riders. The TT hooks up well because each small, square lug in the tread pattern is ramped to roll easily, yet tightly spaced so more knobs are making contact with the ground. The contact patch is effective on a wide variety of surfaces.

- /// M132
- /// Ramped square-knob design
- /// Low rolling resistance
- /// Single and dual-ply casing available

# MOUNTAIN MONORAIL



PART #	SIZE	ETRTO	TPI	BEAD	WEIGHT	COMPOUND	MAX PSI	TECH
TB69787000	26x2.10	52-559	60	Wire	615 g	Single	65	—
TB69789000	26x2.10	52-559	60	Foldable	535 g	Single	65	—
TB69789300	26x2.10	52-559	120	Foldable	530 g	Single	65	Silkworm
TB69790000	26x2.10	52-559	120	Foldable	720 g	Dual	60	LUST/UST

HARD PACK	LOOSE/HARD	MEDIUM	LOOSE	WET	MUD	CORNERING CONTROL	ROLLING EFFICIENCY
1 2 3 4						1 2 3 4	1 2 3 4

Racers take note: If you're looking for a fast, light tire with a consistent, predictable feel from straight-line to corner, the Monorail delivers. The micro-ramped center knobs offer spacing to grab rough and sandy surfaces, while the stability bars keep flex and rolling resistance to a minimum. Widely spaced mid-knobs help shed mud, while the C-shaped side knobs produce the cornering predictability necessary in any terrain.

- /// **M313**
- /// **Micro-ramped center knobs**
- /// **C-shaped side knobs**

# IGNITOR



PART #	SIZE	ETRTO	TPI	BEAD	WEIGHT	COMPOUND	MAX PSI	TECH
TB66711100	26x1.95	44-559	60	Wire	535 g	Single	65	—
TB66712900	26x1.95	44-559	60	Foldable	495 g	Single	65	—
TB66713000	26x1.95	44-559	120	Foldable	495 g	Single	65	Silkworm
TB66540100	26x1.95	44-559	120	Foldable	665 g	Dual	60	LUST/UST
TB69756500	26x2.10	47-559	60	Wire	620 g	Single	65	—
TB69756900	26x2.10	47-559	60	Foldable	575 g	Single	65	—
TB69757100	26x2.10	47-559	120	Foldable	505 g	Single	65	Silkworm
TB69754200	26x2.10	47-559	120	Foldable	710 g	Dual	60	LUST/UST
TB73559400	26x2.35	52-559	60	Wire	775 g	Single	65	—
TB73561500	26x2.35	52-559	60	Foldable	690 g	Single	65	—
TB73560000	26x2.35	52/55-559	60	Foldable	770 g	Single	65	EXO
TB73457100	26x2.35	52-559	120	Foldable	850 g	Dual	60	LUST/UST
TB96696000	29x2.10	52/52-622	60	Foldable	595 g	Single	65	—
TB96694500	29x2.10	52/52-622	120	Foldable	595 g	Single	65	EXO

HARD PACK	LOOSE/HARD	MEDIUM	LOOSE	WET	MUD	CORNERING CONTROL	ROLLING EFFICIENCY
1 2 3 4						1 2 3 4	1 2 3 4

The Ignitor tread pattern was designed for the most discerning professional racers and has laid claim to multiple World Cup victories. The well-spaced tread pattern fills in nicely to provide low rolling resistance in the straights, while the ramped pentagonal knobs provide excellent traction in corners and on medium soil.

- /// **M304**
- /// **Directional ramped pentagonal knob design**
- /// **Excellent multi-condition performance**

# ARDENT RACE

# ARDENT



PART #	SIZE	ETRTO	TPI	BEAD	WEIGHT	COMPOUND	MAX PSI	TECH
TB72374000	26x2.20	56-559	120	Foldable	640 g	3C MaxxSpeed	65	3C/TR
TB72374100	26x2.20	56-559	120	Foldable	685 g	3C MaxxSpeed	65	3C/EXO/TR
TB85918000	27.5x2.20	56-584	120	Foldable	660 g	3C MaxxSpeed	65	3C/TR
TB85918100	27.5x2.20	56-584	120	Foldable	710 g	3C MaxxSpeed	65	3C/EXO/TR
TB96742000	29x2.20	56-622	120	Foldable	695 g	3C MaxxSpeed	65	3C/TR
TB96742100	29x2.20	56-622	120	Foldable	745 g	3C MaxxSpeed	65	3C/EXO/TR

PART #	SIZE	ETRTO	TPI	BEAD	WEIGHT	COMPOUND	MAX PSI	TECH
TB72554000	26x2.25	54/56-559	60	Wire	725 g	Single	65	—
TB72555000	26x2.25	54/56-559	60	Foldable	650 g	Single	65	—
TB72560000	26x2.25	54/56-559	60	Foldable	705 g	Single	65	EXO
TB72556000	26x2.25	54/56-559	120	Foldable	830 g	Dual	60	LUST/UST
TB74176000	26x2.40	58/60-559	60	Wire	905 g	Single	65	EXO
TB74177000	26x2.40	58/60-559	60	Foldable	825 g	Single	65	EXO
TB85913000	27.5x2.25	57-584	60	Wire	740 g	Single	65	—
TB85913100	27.5x2.25	57-584	60	Foldable	660 g	Single	65	—
TB85913400	27.5x2.25	57-584	60	Foldable	725 g	Single	65	EXO
TB96712000	29x2.25	54/56-622	60	Wire	775 g	Single	65	—
TB96712500	29x2.25	54/56-622	60	Foldable	690 g	Single	65	—
TB96712700	29x2.25	54/56-622	60	Foldable	745 g	Single	65	EXO
TB96712900	29x2.25	54/56-622	120	Foldable	885 g	Dual	60	LUST/UST
TB96789000	29x2.40	59/61-622	60	Foldable	805 g	Single	65	EXO

HARD PACK	LOOSE/HARD	MEDIUM	LOOSE	WET	MUD	CORNERING CONTROL	ROLLING EFFICIENCY
						1 2 <b>3</b> 4	1 2 <b>3</b> 4

HARD PACK	LOOSE/HARD	MEDIUM	LOOSE	WET	MUD	CORNERING CONTROL	ROLLING EFFICIENCY
						1 2 <b>3</b> 4	1 2 <b>3</b> 4

The Ardent Race tire from Maxxis is ideally suited for technical XC race courses and endurance-length events. With its medium-height tread, the Ardent Race bridges the gap between the XC-oriented Ikon and the trail-oriented Ardent. The center knobs are ramped to reduce rolling resistance, and the side knobs are angled and stepped to provide great biting traction in corners. Choose the Ardent Race for your next demanding XC race or epic trail ride.

- /// **M329RU**
- /// **High-volume casing**
- /// **Medium knob height**
- /// **Ideal for technical XC race courses**
- /// **3C Maxx Speed available**
- /// **Tubeless Ready (TR) available**



An aggressive tread on a high-volume casing, designed with great traction in mind. The Ardent doesn't forget the racer, with large block-style side knobs offering numerous edges for high-speed cornering. The center tread, while ideal for braking and accelerating traction, also features ramped knobs to minimize rolling resistance. With a wide variety of size offerings, the Ardent captures every mountain rider's needs.

- /// **M315**
- /// **High-volume casing**
- /// **Aggressive tread design**
- /// **Excellent performer in wet conditions**

# MOUNTAIN

## RANCHERO



PART #	SIZE	ETRTO	TPI	BEAD	WEIGHT	COMPOUND	MAX PSI	TECH
TB69124000	26x2.00	50-559	60	Wire	675 g	Single	65	—
TB69126100	26x2.00	50-559	60	Foldable	590 g	Single	65	—
TB69126500	26x2.00	50-559	120	Foldable	600 g	Single	65	Silkworm
TB69123200	26x2.00	52-559	120	Foldable	755 g	Dual	60	LUST/UST

HARD PACK	LOOSE/HARD	MEDIUM	LOOSE	WET	MUD	CORNERING CONTROL	ROLLING EFFICIENCY
						1 2 3 4	1 2 3 4

The Ranchero's large volume and tightly spaced center knobs make this tire ideal for hardtail racing. The shoulder lugs on this rounded-profile tire hook up well in turns, but stay out of the way on the straight stuff to lower rolling resistance.

- /// **M308**
- /// **Diamond center ridge**
- /// **Wedge side knob design**

## ADVANTAGE



PART #	SIZE	ETRTO	TPI	BEAD	WEIGHT	COMPOUND	MAX PSI	TECH
TB69809000	26x2.10	52/53-559	60	Wire	705 g	Single	65	—
TB69810000	26x2.10	52/53-559	60	Foldable	625 g	Single	65	—
TB69810100	26x2.10	52/53-559	120	Foldable	555 g	Dual	65	Silkworm
TB69801000	26x2.10	52-559	120	Foldable	780 g	Dual	60	LUST/UST
TB72550000	26x2.25	54/56-559	60	Wire	760 g	Single	65	—
TB72552000	26x2.25	54/56-559	60	Foldable	700 g	Single	65	—
TB74178100	26x2.40	56/58-559	60	Wire	980 g	Single	65	EXO

HARD PACK	LOOSE/HARD	MEDIUM	LOOSE	WET	MUD	CORNERING CONTROL	ROLLING EFFICIENCY
						1 2 3 4	1 2 3 4

The ADvantage is a high-volume, aggressive cross country tire that corners great on big side knobs. It also climbs and brakes with authority, thanks to the opposing parallelogram center tread design. Ramped center knobs keep rolling resistance minimal, and the wide lug spacing sheds mud easily.

- /// **M311**
- /// **Opposing parallelogram center tread**
- /// **Aggressive side knob**
- /// **High-volume casing**



# HIGH ROLLER



PART #	SIZE	ETRTO	TPI	BEAD	WEIGHT	COMPOUND	MAX PSI	TECH
TB66027500	26x1.90	44-559	60	Wire	560 g	Single	65	—
TB66030100	26x1.90	44-559	60	Foldable	510 g	Single	65	—
TB66030500	26x1.90	44-559	120	Foldable	495 g	Single	65	Silkworm
TB65975100	26x1.90	44-559	120	Foldable	705 g	Dual	60	LUST/UST
TB69762000	26x2.10	47-559	60	Wire	565 g	Single	65	—
TB69764400	26x2.10	47-559	60	Foldable	525 g	Single	65	—
TB69764500	26x2.10	47-559	120	Foldable	505 g	Single	65	Silkworm
TB69622200	26x2.10	47-559	120	Foldable	725 g	Dual	60	LUST/UST
TB73614500	26x2.35	52-559	60	Wire	775 g	Single	65	—
TB73615800	26x2.35	52-559	60	Wire	865 g	Super Tacky	65	ST
TB73616200	26x2.35	52-559	60	Foldable	690 g	Single	65	—
TB73613600	26x2.35	52-559	120	Foldable	915 g	Dual	60	LUST/UST

HARD PACK	LOOSE/HARD	MEDIUM	LOOSE	WET	MUD	CORNERING CONTROL	ROLLING EFFICIENCY
						1 2 3 4	1 2 3 4

One of our most popular and versatile mountain tires, the High Roller's ramped leading edges roll fast, while the side lugs offer stability at higher speeds and a sharp edge to hold corners. The grooved center knobs provide straight-line control. The High Roller's tread design translates well to all mountain bike disciplines including downhill, cross country and freeride.

- /// **M119**
- /// **Ramped knob design**
- /// **Versatile performance**

# MOUNTAIN MEDUSA



PART #	SIZE	ETRTO	TPI	BEAD	WEIGHT	COMPOUND	MAX PSI	TECH
TB60298000	26x1.55	40-559	60	Wire	425 g	Single	65	—
TB65711100	26x1.80	44-559	60	Wire	520 g	Single	65	—
TB65713300	26x1.80	44-559	60	Foldable	475 g	Single	65	—
TB65713700	26x1.80	44-559	120	Foldable	510 g	Single	65	Silkworm
TB65710300	26x1.80	44-559	60	Foldable	645 g	Dual	60	LUST/UST
TB69765300	26x2.10	47-559	60	Wire	575 g	Single	65	—
TB69767300	26x2.10	47-559	60	Foldable	535 g	Single	65	—
TB69767700	26x2.10	47-559	120	Foldable	525 g	Single	65	Silkworm
TB69768100	26x2.10	47-559	60	Foldable	710 g	Dual	60	LUST/UST

HARD PACK	LOOSE/HARD	MEDIUM	LOOSE	WET	MUD	CORNERING CONTROL	ROLLING EFFICIENCY
						1 2 3 4	1 2 3 4

Inspired by our professional European XC racers for racing on muddy terrain. The small profile is lightweight and cuts through loose terrain, while the spiked tread pattern works to find traction through the mud. The widely spaced tread pattern resists packing by shedding mud and loose, damp soil. The Medusa performs well in mud, and the low profile also makes it an excellent choice for lighter riders.

- /// **M137**
- /// **Widely spaced, cleated knob design**
- /// **Low-volume mud tire**

# MOUNTAIN

## MINION DHF



PART #	SIZE	ETRTO	TPI	BEAD	WEIGHT	COMPOUND	MAX PSI	TECH
TB73550400	26x2.35	52-559	60	Wire	785 g	Single	65	—
TB73550800	26x2.35	52-559	60	Foldable	700 g	Single	65	—
TB73550000	26x2.35	52-559	60	Wire	825 g	Super Tacky	65	ST
<b>NEW</b> TB74267000	26x2.50	55/59-559	60	Foldable	880 g	Single	65	EXO
TB74267400	26x2.50	55/59-559	60	Foldable	940 g	Super Tacky	65	ST/EXO
TB74267300	26x2.50	55/59-559	60	Foldable	860 g	3C MaxxTerra	65	3C/EXO
<b>NEW</b> TB96800000	29x2.50	63-622	60	Foldable	1015 g	Dual	50	EXO/TR
<b>NEW</b> TB96800300	29x2.50	63-622	60	Foldable	1015 g	3C MaxxTerra	50	3C/EXO/TR

HARD PACK	LOOSE/HARD	MEDIUM	LOOSE	WET	MUD	CORNERING CONTROL	ROLLING EFFICIENCY
						1 2 <b>3</b> 4	1 2 <b>3</b> 4

The Minion DHF is the standard by which all other aggressive mountain tires are measured. The DHF incorporates ramped knobs for low rolling resistance and channel-cut knobs to increase gripping edges, giving straight-line control and precise cornering.

- /// **M301**
- /// **Directional, ramped knob design**
- /// **Lightweight, single-ply casing**
- /// **Tubeless Ready (TR) available**

## MINION DHR



PART #	SIZE	ETRTO	TPI	BEAD	WEIGHT	COMPOUND	MAX PSI	TECH
TB73557400	26x2.35	52-559	60	Wire	785 g	Single	65	—
TB73557800	26x2.35	52-559	60	Foldable	700 g	Single	65	—
TB73557000	26x2.35	52-559	60	Wire	825 g	Super Tacky	65	ST

HARD PACK	LOOSE/HARD	MEDIUM	LOOSE	WET	MUD	CORNERING CONTROL	ROLLING EFFICIENCY
						1 2 <b>3</b> 4	1 <b>2</b> 3 4

The Minion DHR all-mountain tire features the same proven downhill tread but in a single-ply casing. The tread design has ramped knobs, similar to the DHF, but the channels in the knobs are designed for braking and accelerating.

- /// **M303**
- /// **Directional, ramped knob design**
- /// **Lightweight, single-ply casing**

# MINION DHR II



PART #	SIZE	ETRTO	TPI	BEAD	WEIGHT	COMPOUND	MAX PSI	TECH
TB72907400	26x2.40	61-559	60	Foldable	910 g	Single	65	EXO
TB72907300	26x2.40	61-559	60	Foldable	885 g	3C MaxxTerra	65	3C/EXO
TB73303000	26x2.30	58-559	60	Foldable	780 g	Dual	60	EXO/TR
TB73303100	26x2.30	58-559	60	Foldable	755 g	3C MaxTerra	60	3C/EXO/TR
TB96776000	29x2.30	58-622	60	Foldable	855 g	Dual	60	EXO/TR
TB96776100	29x2.30	58-622	60	Foldable	825 g	3C MaxTerra	60	3C/EXO/TR

HARD PACK	LOOSE/HARD	MEDIUM	LOOSE	WET	MUD	CORNERING CONTROL	ROLLING EFFICIENCY
						1 2 <b>3</b> 4	1 2 <b>3</b> 4

The trail version of the Maxxis Minion DHR II features the same tread pattern as its downhill counterpart, but uses a single-ply casing to reduce weight. With side knobs borrowed from the legendary Minion DHF, but widened to provide more support, the DHR II corners like no other. The center tread features ramped knobs to improve acceleration and sipes to create a smooth transition when leaning the bike. Paddle-like knobs on the center tread dig in under hard braking and help keep the bike under control. Pair it with a Minion DHF up front for the ultimate aggressive trail riding tire combo!

- /// **M327**
- /// **Excellent braking and cornering traction**
- /// **3C Maxx Terra available**
- /// **Tubeless Ready (TR) available**

**NEW**



PHOTO: KUESTENBRUECK

# MOUNTAIN

## MOBSTER



PART #	SIZE	ETRTO	TPI	BEAD	WEIGHT	COMPOUND	MAX PSI	TECH
TB69694100	26x2.10	47-559	60	Foldable	660 g	Single	65	—

HARD PACK	LOOSE/HARD	MEDIUM	LOOSE	WET	MUD	CORNERING CONTROL	ROLLING EFFICIENCY
						1 2 3 4	1 2 3 4

With a proven tread design, the Mobster puts a hit out on the competition. The counter-sunk center knobs and burly side knobs provide outstanding cornering control in loose trail conditions. The Mobster is an ideal choice for aggressive XC riding in varied conditions and also makes a great all-around trail bike tire.

- /// **M122**
- /// **Counter-sunk knob design**
- /// **Exceptional cornering and traction**

## WORMDRIVE UST



PART #	SIZE	ETRTO	TPI	BEAD	WEIGHT	COMPOUND	MAX PSI	TECH
TB65973100	26x1.90	44-559	120	Foldable	635 g	Dual	60	LUST/UST

HARD PACK	LOOSE/HARD	MEDIUM	LOOSE	WET	MUD	CORNERING CONTROL	ROLLING EFFICIENCY
						1 2 3 4	1 2 3 4

The Classic Wormdrive now incorporates Lightweight Ultimate Sidewall Technology (L.U.S.T.), making it lighter and faster than ever. Stabilizing bars, diamond knurling and opposing block tread with direction-specific side knobs offer great traction, with minimal rolling resistance on hardpack and slightly loose terra firma.

- /// **M116U**
- /// **Fast-rolling ramped knobs**
- /// **L.U.S.T.**



# DOWNHILL

# DOWNHILL

## HIGH ROLLER II



PART #	SIZE	ETRTO	TPI	BEAD	WEIGHT	COMPOUND	MAX PSI	TECH
TB74177200	26x2.40	61-559	60	Wire	1,260 g	Single	65	—
TB74177600	26x2.40	61-559	60	Wire	1,225 g	Super Tacky	65	ST
TB74177100	26x2.40	61-559	60	Wire	1,260 g	3C Maxx Grip	65	3C
<b>NEW</b> TB85915300	27.5x2.40	61-584	60	Wire	1305 g	Single	65	—
<b>NEW</b> TB85915100	27.5x2.40	61-584	60	Wire	1270 g	Super Tacky	65	ST
<b>NEW</b> TB85915200	27.5x2.40	61-584	60	Wire	1305g	3C Maxx Grip	65	3C

HARD PACK	LOOSE/HARD	MEDIUM	LOOSE	WET	MUD	CORNERING CONTROL	ROLLING EFFICIENCY
						1 2 <b>3</b> 4	1 <b>2</b> 3 4

An open and aggressive tread design gives the High Roller II excellent soil penetration and mud-clearing ability. A square profile provides a solid, consistent feel across the knobs. Modified knobs on the shoulder and center improve braking performance and traction on hard surfaces. When gravity pulls you downhill, rely on the High Roller II to keep you upright.

- /// **M325P**
- /// **Open tread design**
- /// **Improved braking and traction**
- /// **3C Maxx Grip available**

# HIGH ROLLER



PART #	SIZE	ETRTO	TPI	BEAD	WEIGHT	COMPOUND	MAX PSI	TECH
TB50653300	24x2.50	55-507	60	Wire	1,080 g	Single	65	—
TB50689500	24x2.70	59-507	60	Wire	1,285 g	Single	65	—
TB73615300	26x2.35	52-559	60	Wire	1,070 g	Single	65	—
TB73615700	26x2.35	52-559	60	Wire	1,155 g	Super Tacky	65	ST
TB74302100	26x2.50	54-559	60	Wire	1,180 g	Single	65	—
TB74220500	26x2.50	55-559	27	Foldable	1,170 g	Dual	55	UST
TB74301700	26x2.50	54-559	60	Wire	1,185 g	Super Tacky	65	ST
TB74220000	26x2.50	55-559	27	Foldable	1,215 g	Super Tacky	55	ST/UST
TB74301600	26x2.50	54-559	60	Wire	1,265 g	3C Maxx Grip	65	3C
TB74316300	26x2.70	59-559	60	Wire	1,390 g	Single	65	—
TB74315000	26x2.70	59-559	60	Wire	1,320 g	Super Tacky	65	ST

HARD PACK	LOOSE/HARD	MEDIUM	LOOSE	WET	MUD	CORNERING CONTROL	ROLLING EFFICIENCY
						1 2 <b>3</b> 4	1 <b>2</b> 3 4

The High Roller's ramped leading edges roll fast, while the side lugs offer stability at speed and a sharp edge to hold corners. The grooved center knobs provide straight-line control. The High Roller's tread design translates well to all mountain bike disciplines including downhill, cross country and freeride.

- /// **M119**
- /// **Ramped knob design**
- /// **Dual-ply casing with butyl insert**

# MINION DHF



PART #	SIZE	ETRTO	TPI	BEAD	WEIGHT	COMPOUND	MAX PSI	TECH
TB73549300	26x2.35	52-559	60	Wire	1,080 g	Single	65	—
TB73548000	26x2.35	52-559	60	Wire	1,120 g	Super Tacky	65	ST
TB74265700	26x2.50	55-559	60	Wire	1,180 g	Single	65	—
TB74262100	26x2.50	55-559	27	Foldable	1,170 g	Dual	55	UST
TB74265000	26x2.50	55-559	60	Wire	1,200 g	Super Tacky	65	ST
TB74262000	26x2.50	55-559	27	Foldable	1,180 g	Super Tacky	55	ST/UST
TB74265500	26x2.50	55-559	60	Wire	1,265 g	3C Maxx Grip	65	3C
TB74319300	26x2.70	59-559	60	Wire	1,390 g	Single	65	—
TB74319000	26x2.70	59-559	60	Wire	1,320 g	Super Tacky	65	ST
TB74319400	26x2.70	59-559	60	Wire	1,320 g	3C Maxx Grip	65	3C
TB96800100	29x2.50	63-622	60	Foldable	1,255 g	Dual	50	TR
TB96800200	29x2.50	63-622	60	Foldable	1,220 g	3C Maxx Grip	50	3C/TR

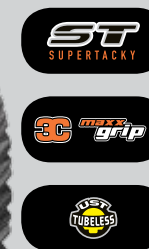
NEW  
NEW

HARD PACK	LOOSE/HARD	MEDIUM	LOOSE	WET	MUD	CORNERING CONTROL	ROLLING EFFICIENCY
						1 2 <b>3</b> 4	1 2 <b>3</b> 4

The Minion DHF is the standard by which all other downhill tires are measured. The DHF incorporates ramped knobs for low rolling resistance and channel-cut knobs to increase gripping edges, giving straight-line control and precise cornering.

- /// **M301**
- /// **Directional, ramped knob design**
- /// **Dual-ply casing with butyl insert**
- /// **Tubeless Ready (TR) available**

# MINION DHR



PART #	SIZE	ETRTO	TPI	BEAD	WEIGHT	COMPOUND	MAX PSI	TECH
TB73555300	26x2.35	52-559	60	Wire	1,080 g	Single	65	—
TB73555000	26x2.35	52-559	60	Wire	1,125 g	Super Tacky	65	ST
TB74272500	26x2.50	55-559	60	Wire	1,180 g	Single	65	—
TB74222100	26x2.50	55-559	27	Foldable	1,170 g	Dual	55	UST
TB74272000	26x2.50	55-559	60	Wire	1,190 g	Super Tacky	65	ST
TB74222000	26x2.50	55-559	27	Foldable	1,185 g	Super Tacky	55	ST/UST
TB74272600	26x2.50	55-559	60	Wire	1,265 g	3C Maxx Grip	65	3C
TB74325300	26x2.70	59-559	60	Wire	1,390 g	Single	65	—
TB74325000	26x2.70	59-559	60	Wire	1,320 g	Super Tacky	65	ST

HARD PACK	LOOSE/HARD	MEDIUM	LOOSE	WET	MUD	CORNERING CONTROL	ROLLING EFFICIENCY
						1 2 <b>3</b> 4	1 <b>2</b> 3 4

The Minion DHR was engineered to meet the demands of UCI World Cup downhill races. The DHR features ramped knobs, like the DHF, but the channels in the knobs are designed for braking and accelerating.

- /// **M303**
- /// **Directional, ramped knob design**
- /// **Dual-ply casing with butyl insert**

# DOWNHILL

## MINION DHR II



PART #	SIZE	ETRTO	TPI	BEAD	WEIGHT	COMPOUND	MAX PSI	TECH
TB72907000	26x2.40	61-559	60	Wire	1,240 g	Single	65	—
TB72907200	26x2.40	61-559	60	Wire	1,225 g	Super Tacky	65	ST
TB72907100	26x2.40	61-559	60	Wire	1,265 g	3C Maxx Grip	65	3C

HARD PACK	LOOSE/HARD	MEDIUM	LOOSE	WET	MUD	CORNERING CONTROL	ROLLING EFFICIENCY
						1 2 <b>3</b> 4	1 2 <b>3</b> 4

Featuring an all-new tread design, the Minion DHR II is the ideal tire for aggressive gravity riding. With side knobs borrowed from the legendary Minion DHF, but widened to provide more support, the DHR II corners like no other. The center tread features ramped knobs to improve acceleration and sipes have been added to create a smooth transition when leaning the bike over. Paddle-like knobs on the center tread dig in under hard braking and help keep the bike in control. Pair it with a Minion DHF up front for the ultimate aggressive riding combo!

- /// **M327**
- /// **Excellent braking and cornering traction**
- /// **3C Maxx Grip and Super Tacky available**

**NEW**



PHOTO: SESSLER



## WETSCREAM



PART #	SIZE	ETRTO	TPI	BEAD	WEIGHT	COMPOUND	MAX PSI	TECH
TB72399000	26x2.20	52-559	60	Wire	1,000 g	Single	65	—
TB74276000	26x2.50	55-559	60	Wire	1,160 g	Super Tacky	65	ST

HARD PACK	LOOSE/HARD	MEDIUM	LOOSE	WET	MUD	CORNERING CONTROL	ROLLING EFFICIENCY
						1 2 <b>3</b> 4	<b>1</b> 2 3 4

Designed for the muddiest downhill race course in the world: Les Gets, France. Not for your local trail, the Wetscream is intended for competition use only, on professionally maintained courses. When the course turns ugly, trust the Wetscream to carry you to victory.

- /// **M137**
- /// **Widely-spaced, sharp square design**
- /// **Dual-Ply casing with butyl insert**
- /// **Mud-specific tire**

## SWAMPTHING



PART #	SIZE	ETRTO	TPI	BEAD	WEIGHT	COMPOUND	MAX PSI	TECH
TB73608900	26x2.35	52-559	60	Wire	1,040 g	Single	65	—
TB74252200	26x2.50	55-559	60	Wire	1,080 g	Single	65	—
TB74251700	26x2.50	55-559	60	Wire	1,110 g	Super Tacky	65	ST

HARD PACK	LOOSE/HARD	MEDIUM	LOOSE	WET	MUD	CORNERING CONTROL	ROLLING EFFICIENCY
						1 2 <b>3</b> 4	<b>1</b> 2 3 4

The rubber used in the Swampthing is firm enough that knobs won't fold, yet soft enough to hook up on wet rocks and roots. The rounded profile allows the Swampthing to grab without digging into the soil.

- /// **M120**
- /// **Widely-spaced, cleated knob design**
- /// **Dual-Ply casing with Butyl Insert**
- /// **Wet conditions tire**



# URBAN

# DTH



PART #	SIZE	ETRTO	TPI	BEAD	WEIGHT	COMPOUND	MAX PSI	TECH
TB72680000	26x2.15	52/54-559	60	Wire	635 g	Single	80	—
TB72683000	26x2.15	52/54-559	60	Foldable	550 g	Single	80	—
<b>NEW</b> TB72683100	26x2.15	52/54-559	60	Foldable	555 g	Single	80	Skinwall
TB72685000	26x2.15	52/54-559	120	Foldable	530 g	Single	80	Silkworm
TB73300000	26x2.30	55/58-559	60	Wire	730 g	Single	65	—
TB73301000	26x2.30	55/58-559	60	Foldable	650 g	Single	65	—

DIRT	STREET	PARK	FLAT	VERT

The same DTH BMX tread in 26" size offerings to provide multiple options in a dirt/urban environment. The lightweight construction makes this version ideal for dirt jumping and even commuting. Choose your size, choose your style and choose the DTH.

- /// **M147P**
- /// **Grooved-slick urban option**
- /// **Lightweight, single-ply casing**

# HOLY ROLLER



PART #	SIZE	ETRTO	TPI	BEAD	WEIGHT	COMPOUND	MAX PSI	TECH
TB72392000	26x2.20	52-559	60	Wire	800 g	Single	65	—
TB72393000	26x2.20	52-559	60	Foldable	735 g	Single	65	Silkworm
TB74180100	26x2.40	55-559	60	Wire	830 g	Single	65	—

DIRT	STREET	PARK	FLAT	VERT

Proven in the hardpack and pavement of the BMX world, the Holy Roller is now available in 26" sizes. The Holy Roller urban assault tire is the perfect weapon for riders who may be dirt jumping today but shredding the streets of the city tomorrow.

- /// **M126**
- /// **Inverted semi-knob design**
- /// **Lightweight, single-ply casing**
- /// **Urban assault/dirt jump**

URBAN

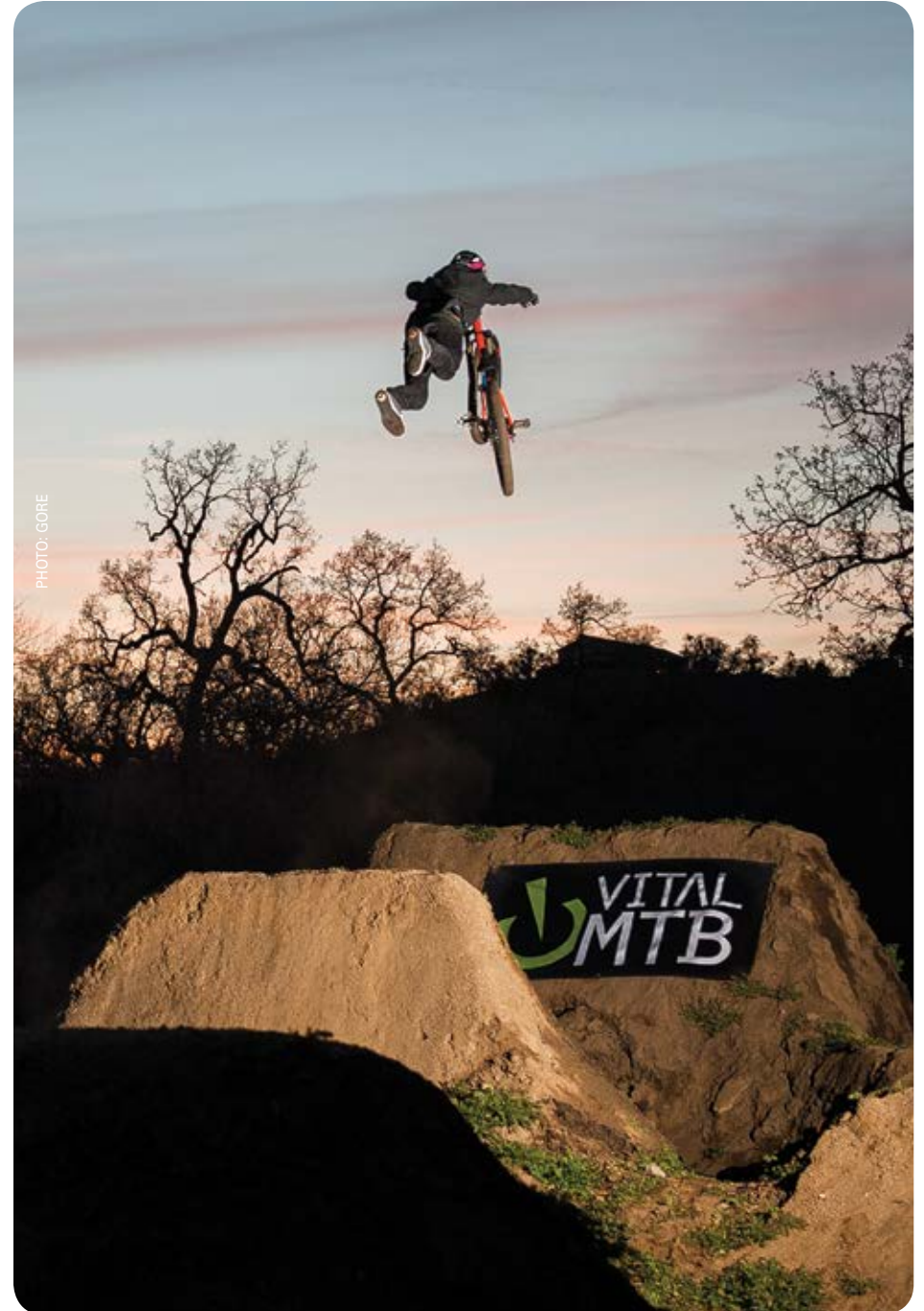
# HOOKWORM



PART #	SIZE	ETRTO	TPI	BEAD	WEIGHT	COMPOUND	MAX PSI	TECH
TB74255100	26x2.50	61-559	60	Wire	1,125 g	Single	65	—
DIRT		STREET		PARK		FLAT		VERT

The original urban assault tire, designed to take the abuse of the most aggressive street riders. Huge air-volume softens the drops, while the inverted tread design makes rolling resistance minimal. Bead-to-bead tread provides durability and traction whether you're dropping staircases, grinding rails or riding in your local skatepark.

- /// **M121**
- /// **Curved, grooved-slick design**
- /// **Single-ply casing**
- /// **Rim-to-rim tread-protected sidewalls**
- /// **Urban assault**





BMIX

# TORCH



PART #	SIZE	ETRTO	TPI	BEAD	WEIGHT	COMPOUND	MAX PSI	TECH
TB22783000	20x1.50	38-406	120	Foldable	315g	Dual	110	Silkworm
TB24755000	20x1.75	44-406	120	Foldable	345 g	Dual	110	Silkworm
TB29519000	20x1.95	49-406	120	Foldable	370 g	Dual	110	Silkworm

DIRT	STREET	PARK	FLAT	VERT
------	--------	------	------	------

Light up the track and your competition with the Torch. In an all-out sprint for 30 seconds, you need every advantage you can get, which is why the Torch features a lightweight, 120 TPI casing and a tread pattern designed to let you rip through the pavement of modern BMX tracks.

- /// **M149**
- /// **Lightweight construction**
- /// **Dual-Compound**
- /// **Silkworm**

# RIZER



PART #	SIZE	ETRTO	TPI	BEAD	WEIGHT	COMPOUND	MAX PSI	TECH
TB30909000	20x2.15	53-406	60	Foldable	545 g	Dual	110	EXO
TB35858000	20x2.30	58-406	60	Foldable	595 g	Dual	110	EXO

DIRT	STREET	PARK	FLAT	VERT
------	--------	------	------	------

The Rizer is designed to excel in a wide variety of terrains. Not too smooth and not too knobby, the Rizer's tread design will take you from the skatepark to the trails with a street session in between. Versatile and durable, the tread wraps around the tire, giving you extra sidewall protection for grinding ledges and rails.

- /// **M152**
- /// **Versatile tread pattern for varied conditions**
- /// **Wrap-around tread for extra sidewall protection**



# SNYPER



PART #	SIZE	ETRTO	TPI	BEAD	WEIGHT	COMPOUND	MAX PSI	TECH
TB29768100	20x2.00	50-406	60	Wire	520 g	Dual	110	EXO
TB35790200	20x2.25	57-406	60	Wire	600 g	Dual	110	EXO
TB49307100	24x2.00	50-507	60	Wire	650 g	Dual	65	EXO

DIRT	STREET	PARK	FLAT	VERT

BMX riders have longed for an aggressive, dirt-specific tire to fill the needs of hardcore jumpers. Long no more. The Snyder's tread design and high-rated PSI specification are geared toward providing the least amount of rolling resistance while maintaining superb traction in dirt conditions. Featuring Dual-Compound Technology, the Snyder is sure to handle like an elite.

- /// **M151**
- /// **Designed for low rolling resistance in dirt**
- /// **Dual-Compound**

# BMX DTH



PART #	SIZE	ETRTO	TPI	BEAD	WEIGHT	COMPOUND	MAX PSI	TECH
TB20352000	20x1 1/8	28-451	120	Wire	245 g	Dual	85	Silkworm
TB20629000	20x1 3/8	37-451	120	Wire	315 g	Dual	65	Silkworm
TB22329000	20x1.50	38-406	120	Wire	355 g	Dual	110	Silkworm
TB22329500	20x1.50	38-406	120	Foldable	300 g	Dual	110	Silkworm
TB24750000	20x1.75	44-406	120	Wire	400 g	Dual	110	Silkworm
TB24751000	20x1.75	44-406	120	Foldable	350 g	Dual	110	Silkworm
TB29464000	20x1.95	49-406	120	Wire	430 g	Dual	110	Silkworm
TB29464500	20x1.95	49-406	120	Foldable	380 g	Dual	110	Silkworm
TB31024000	20x2.20	56-406	120	Wire	540 g	Dual	110	Silkworm
TB31025000	20x2.20	56-406	120	Foldable	490 g	Dual	110	Silkworm
TB47649000	24x1.75	44-507	120	Wire	440 g	Dual	65	Silkworm

DIRT	STREET	PARK	FLAT	VERT

Drop-The-Hammer. The first few pedal strokes win the holeshot. The holeshot wins the race. The foldable DTH is super-light to accelerate like no other BMX tire, yet holds up to the abuse you dish out. The dual-compound tread corners incomparably on hardpack tracks and rolls fast on the straights. The gold medal is just a sprint away.

- /// **M147**
- /// **Lightweight race tire**
- /// **Dual-Compound**

# GRIFTER



PART #	SIZE	ETRTO	TPI	BEAD	WEIGHT	COMPOUND	MAX PSI	TECH
TB29643500	20x1.85	48-406	120	Wire	465 g	Dual	110	EXO
TB29643000	20x1.85	48-406	120	Foldable	405 g	Dual	110	EXO
TB30704000	20x2.10	53-406	120	Wire	510 g	Dual	110	EXO
TB30704600	20x2.10	53-406	120	Foldable	445 g	Dual	110	EXO

DIRT	STREET	PARK	FLAT	VERT

It almost feels like cheating: The foldable bead and lightweight materials allow tricks to flow so much easier – without the extra weight to throw around. High pressure and dual-compound tread make landings stick at any angle. Maxxis used these technologies and more to produce the Grifter – simply the best freestyle tire ever.

- /// M148
- /// Lightweight freestyle tire
- /// Dual-Compound
- /// 110-PSI high air-pressure rated



PHOTO: LANDRUM



# MAXXDADDY



PART #	SIZE	ETRTO	TPI	BEAD	WEIGHT	COMPOUND	MAX PSI	TECH
TB29650000	20x1.85	50-406	60	Wire	500 g	Single	40	—
TB29682000	20x2.00	54-406	60	Wire	555 g	Single	40	—

DIRT	STREET	PARK	FLAT	VERT
—	—	—	—	—

Staggered, tightly-spaced center lugs provide controllable speeds. The knob spacing increases near the shoulder lugs to produce two channels that hook up on hardpack berms as well as loose dirt on the trails.

- /// **M110**
- /// **Full square-knob design**
- /// **Great for loose conditions**

# HOLY ROLLER



PART #	SIZE	ETRTO	TPI	BEAD	WEIGHT	COMPOUND	MAX PSI	TECH
TB20350000	20x1 1/8	28-451	60	Wire	260 g	Single	85	—
TB20628000	20x1 3/8	37-451	60	Wire	355 g	Single	65	—
TB24748000	20x1.75	47-406	60	Wire	425 g	Single	60	—
TB29478000	20x1.95	53-406	60	Wire	495 g	Single	60	—
TB31020000	20x2.20	56-406	60	Wire	610 g	Single	60	—
TB47640000	24x1.75	47-507	60	Wire	525 g	Single	60	—
TB49212000	24x1.85	50-507	60	Wire	610 g	Single	60	—

DIRT	STREET	PARK	FLAT	VERT
—	—	—	—	—

Our most versatile BMX tire features a tightly spaced knob pattern. A unique design that rolls extremely well on pavement and still hooks up in hardpack conditions.

- /// **M126**
- /// **Inverted semi-knob design**
- /// **Dirt-to-pavement versatility**

# HOOKWORM



PART #	SIZE	ETRTO	TPI	BEAD	WEIGHT	COMPOUND	MAX PSI	TECH
TB14410000	16x1.95	53-305	60	Wire	540 g	Single	110	—
TB29461000	20x1.95	53-406	60	Wire	720 g	Single	110	—

DIRT	STREET	PARK	FLAT	VERT
------	--------	------	------	------

The original urban assault tire, designed to take the abuse of the most aggressive street-style riders. Provides durability and traction whether you're dropping staircases, grinding rails or riding in your local skatepark.

- /// **M121**
- /// **Curved, grooved-slick design**
- /// **110-PSI high air-pressure rated**
- /// **Urban assault durability**

# MIRACLE



PART #	SIZE	ETRTO	TPI	BEAD	WEIGHT	COMPOUND	MAX PSI	TECH
TB29648000	20x1.85	48-406	60	Wire	650 g	Single	110	—
TB30698000	20x2.10	53-406	60	Wire	695 g	Single	110	—
TB30698500	20x2.10	53-406	120	Foldable	555 g	Single	110	SilkShield

DIRT	STREET	PARK	FLAT	VERT
------	--------	------	------	------

The Miracle's uniquely featured channel design actually allows the tire to flex, letting it grab the ramp more effectively and providing better feel. The channeled tread and high-rated air pressure provide a design that minimizes rolling resistance altogether, making it an ideal choice for vert and park BMX riders.

- /// **M144**
- /// **Channeled design**
- /// **110-PSI high air-pressure rated**

# M-TREAD



PART #	SIZE	ETRTO	TPI	BEAD	WEIGHT	COMPOUND	MAX PSI	TECH
TB29647000	20x1.85	48-406	60	Wire	715 g	Single	110	—
TB30696000	20x2.10	53-406	60	Wire	825 g	Single	110	—

DIRT	STREET	PARK	FLAT	VERT

The M-Tread design encircles both sidewalls from rim edge to rim edge, protecting the tire casing from premature wear. This allows longer tire life for street and ramp riders who grind coping, rails and curbs. The shoulder tread also benefits high-angle cornering and flatland maneuvers.

- /// **M141**
- /// **Symmetrical grooved design**
- /// **110-PSI high air-pressure rated**
- /// **Bead-to-bead tread**

PHOTO: LANDRUM

# RINGWORM



PART #	SIZE	ETRTO	TPI	BEAD	WEIGHT	COMPOUND	MAX PSI	TECH
TB29459000	20x1.95	53-406	60	Wire	720 g	Single	110	—
DIRT		STREET		PARK		FLAT		VERT

With tread stretching from bead to bead, the Ringworm gives traction at any angle while protecting the sidewall from punctures and wear. The tread pattern hooks up from ramp to flatland

- /// **M118**
- /// **Linear, grooved-slick design**
- /// **110-PSI high air-pressure rated**
- /// **Bead-to-bead tread**



PHOTO: FATTONY

# CREEPY CRAWLER F



PART #	SIZE	ETRTO	TPI	BEAD	WEIGHT	COMPOUND	MAX PSI	TECH
TB29688100	20x2.00	54-406	60	Wire	625 g	Super Tacky	50	ST

DIRT	STREET	PARK	FLAT	VERT
------	--------	------	------	------

The Creepy Crawler F is the ultimate all-around modified trials tire. Designed with a Super Tacky (ST) tread compound, this tire is built to keep you upright on the nastiest obstacles. The Creepy Crawler F is made to be ridden with the Creepy Crawler R for maximum performance from your modified trials bike.

- /// **M143**
- /// **Block design**
- /// **Front-specific**
- /// **Built on 54-406mm casing (20")**

# CREEPY CRAWLER R



PART #	SIZE	ETRTO	TPI	BEAD	WEIGHT	COMPOUND	MAX PSI	TECH
TB35877000	20x2.50	67-387	25	Wire	1,085 g	Super Tacky	50	ST

DIRT	STREET	PARK	FLAT	VERT
------	--------	------	------	------

If you're a modified trials rider who wants aggressive traction for the most demanding conditions, the Creepy Crawler R is made for you. The Creepy Crawler R is constructed to be strong and durable, featuring Super Tacky (ST) tread compound that sticks to any obstacle. To sum it up, the Maxxis Creepy Crawler is the best modified trials tire on the market.

- /// **M143**
- /// **Block design**
- /// **Rear-specific**
- /// **Built on 67-387mm casing (19")**
- /// **20x2.50 will not fit a standard 20" BMX wheel**

# MODULAR VALVE SYSTEM

## MVS STEMS



PART #	COLOR	VALVE	WEIGHT
OT00110000	Black	Presta 48mm	3 g
OT00111000	Gold	Presta 48mm	3 g
OT00112000	Red	Presta 48mm	3 g
OT00113000	Blue	Presta 48mm	3 g
OT00114000	Charcoal	Presta 48mm	3 g
OT00115000	Purple	Presta 48mm	3 g
OT00116000	Silver	Presta 48mm	3 g
OT00117000	Green	Presta 48mm	3 g
OT00118000	Orange	Presta 48mm	3 g
OT00119000	Black	Presta 60mm	4 g
OT00120000	Gold	Presta 60mm	4 g
OT00121000	Red	Presta 60mm	4 g
OT00122000	Blue	Presta 60mm	4 g
OT00123000	Charcoal	Presta 60mm	4 g
OT00124000	Purple	Presta 60mm	4 g
OT00125000	Silver	Presta 60mm	4 g
OT00126000	Green	Presta 60mm	4 g
OT00127000	Orange	Presta 60mm	4 g
OT00128000	Black	Presta 80mm	5 g
OT00129000	Gold	Presta 80mm	5 g
OT00130000	Red	Presta 80mm	5 g
OT00131000	Blue	Presta 80mm	5 g
OT00132000	Charcoal	Presta 80mm	5 g
OT00133000	Purple	Presta 80mm	5 g
OT00134000	Silver	Presta 80mm	5 g
OT00135000	Green	Presta 80mm	5 g
OT00136000	Orange	Presta 80mm	5 g
OT00137000	Black	Presta 100mm	6 g
OT00138000	Gold	Presta 100mm	6 g
OT00139000	Red	Presta 100mm	6 g
OT00140000	Blue	Presta 100mm	6 g
OT00141000	Charcoal	Presta 100mm	6 g
OT00142000	Purple	Presta 100mm	6 g
OT00143000	Silver	Presta 100mm	6 g
OT00144000	Green	Presta 100mm	6 g
OT00145000	Orange	Presta 100mm	6 g



The Maxxis Modular Valve System allows you to easily customize your bike. The separation of the tube and valve stem allows you to choose your valve length and custom color without having to deal with finicky valve extensions. When the tube eventually needs to be replaced, the valve stem transfers to the new tube, instead of ending up in the trash. Available in Presta valve stem lengths of 48mm, 60mm, 80mm and 100mm and in nine different colors.

- /// Available in Presta valve stem lengths of 48mm, 60mm, 80mm and 100mm
- /// Removable valve core
- /// Available in 9 custom colors!
- /// For use with MVS Tube or Maxxis tubular tires only

# MVS FLYWEIGHT

# MVS ULTRALIGHT



PART #	SIZE	VALVE	WEIGHT
IB65002000	26x1.90/2.125	MVS Presta	93 g
IB84002000	700x18/25C	MVS Presta	47 g

- /// .45 mm thin walls
- /// Lightweight and durable for racing
- /// For use with MVS stem set only
- /// Maxxis rim strip included

PART #	SIZE	VALVE	WEIGHT
IB65001000	26x1.90/2.125	MVS Presta	124 g
IB84001000	700x18/25C	MVS Presta	64 g

- /// .60 mm thin walls
- /// Lightweight and durable for racing
- /// For use with MVS stem set only

# FLYWEIGHT



PART #	SIZE	VALVE	WEIGHT
SIB6388400	26x1.90/2.125	Presta	95 g
SIB6388700	26x1.90/2.125	Presta 48mm	96 g
SIB6389000	26x1.90/2.125	Schrader	96 g
SIB6988000	700x18/25C	Presta	50 g
SIB6988600	700x18/25C	Presta 48mm	51 g
SIB6987800	700x18/25C	Presta 60mm	52 g

- /// .45 mm thin walls
- /// Lightest tube available
- /// Maxxis rim strip included
- /// Presta & Schrader valves



# ULTRALIGHT



PART #	SIZE	VALVE	WEIGHT
IB25400000	20x1.50/1.75	Schrader	83 g
IB24076000	20x1.50/1.75	Presta	82 g
IB29520000	20x1.90/2.125	Schrader	96 g
IB59764000	26x1.50 /1.75	Presta	110 g
IB60064000	26x1.50 /1.75	Presta 48mm	111 g
IB59777000	26x1.50/1.75	Schrader	111 g
IB63829000	26x1.90/2.125	Presta	125 g
IB63874000	26x1.90/2.125	Presta 48mm	126 g
IB63810000	26x1.90/2.125	Schrader	126 g
<b>NEW</b> IB75076100	27.5x1.9/2.35	Presta	144 g
<b>NEW</b> IB75077100	27.5x1.9/2.35	Presta 48mm	145 g
IB96823400	29x1.90/2.35	Presta	157 g
IB51596000	650x18/25C	Presta 48mm	69 g
IB69846000	700x18/25C	Presta	65 g
IB69839000	700x18/25C	Presta 48mm	66 g
IB69859000	700x18/25C	Presta 60mm	67 g

- /// .60 mm thin walls
- /// Lightweight and durable for racing
- /// Presta & Schrader valves



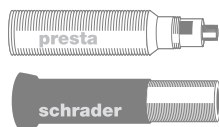


# WELTERWEIGHT



PART #	SIZE	VALVE	WEIGHT
IB14205000	16x1.90/2.125	Schrader	115 g
IB29513000	20x1.90/2.125	Schrader	123 g
IB22993000	20x11/4-13/8	Presta	108 g
IB22992000	20x11/4-13/8	Schrader	109 g
IB48713000	24x1.90/2.125	Presta	148 g
IB48701000	24x1.90/2.125	Schrader	149 g
IB51707000	26x1.0/1.25	Presta	86 g
IB51709000	26x1.0/1.25	Presta 48mm	87 g
IB60065100	26x1.50/1.75	Presta 48mm	141 g
IB63464000	26x1.90/2.125	Presta	161 g
IB63803200	26x1.90/2.125	Schrader	162 g
IB63871000	26x1.90/2.125	Presta 48mm	162 g
IB63464100	26x1.90/2.125	Presta 60mm	163 g
<b>NEW</b> IB75078100	27.5x1.9/2.35	Presta	191 g
<b>NEW</b> IB75079100	27.5x1.9/2.35	Presta 48mm	192 g
<b>NEW</b> IB75080100	27.5x1.9/2.35	Schrader	192 g
<b>NEW</b> IB75097000	27.5x2.2/2.5	Presta	222 g
<b>NEW</b> IB75098000	27.5x2.2/2.5	Schrader	223 g
IB96823100	29x1.90/2.35	Presta	200 g
IB96822500	29x1.90/2.35	Schrader	201 g
IB96822800	29x1.90/2.35	Presta 48mm	201 g
IB81557000	700x18/25, 27x7/8-1	Presta	83 g
IB81555000	700x18/25, 27x7/8-1	Presta 48mm	84 g
IB81556000	700x18/25, 27x7/8-1	Presta 60mm	85 g
IB81558000	700x18/25, 27x7/8-1	Schrader	84 g
IB94198000	700x35/45, 27x1 3/8-1 3/4	Presta	127 g
IB94199000	700x35/45, 27x1 3/8-1 3/4	Schrader	128 g

- /.90 mm thin walls
- / Puncture resistant
- / Presta & Schrader valves



# FREERIDE



PART #	SIZE	VALVE	WEIGHT
IB67445000	26x2.20/2.50	Schrader	295 g
IB67447000	26x2.20/2.50	Presta	294 g
<b>NEW</b> IB75102000	27.5x2.2/2.50	Schrader	317 g
<b>NEW</b> IB75105000	27.5x2.2/2.50	Presta	316 g
<b>NEW</b> IB75109000	27.5x2.2/2.50	Presta 48mm	317 g

- / 1.2 mm thin walls
- / Freeride-specific
- / Presta & Schrader valves

# DOWNHILL



PART #	SIZE	VALVE	WEIGHT
IB49960000	24x2.50/2.70	Presta	422 g
IB49963000	24x2.50/2.70	Schrader	423 g
IB68560000	26x2.50/2.70	Presta	449 g
IB68566000	26x2.50/2.70	Schrader	450 g

- / 1.5 mm thin walls
- / Downhill-specific
- / Presta & Schrader valves

# QUICK REFERENCE

ROAD										
CAMPIONE	PART NUMBER	SIZE	ETRTO	TPI	BEAD	WEIGHT	COMPOUND	MAX PSI	COLOR	TECH
	TBD	28"x23		120		TBD	3C	170	Black	3C/K2
FORZA	PART NUMBER	SIZE	ETRTO	TPI	BEAD	WEIGHT	COMPOUND	MAX PSI	COLOR	TECH
	TB88102000	28"x23		60		TBD	Dual	170	Black	Silkworm
PADRONE	PART NUMBER	SIZE	ETRTO	TPI	BEAD	WEIGHT	COMPOUND	MAX PSI	COLOR	TECH
	TB81794000	700x23C	23-622	120	Foldable	295 g	Dual	125	Black	Silkworm
RADIALE-22c TL	PART NUMBER	SIZE	ETRTO	TPI	BEAD	WEIGHT	COMPOUND	MAX PSI	COLOR	TECH
	TB86175000	700x22C	22-622	120	Foldable	285 g	Dual	125	Black	Nylon Breaker B2B
RADIALE-22c	PART NUMBER	SIZE	ETRTO	TPI	BEAD	WEIGHT	COMPOUND	MAX PSI	COLOR	TECH
	TB86171000	700x22C	22-622	120	Foldable	215 g	3C	145	Black	3C/SilkShield
RADIALE-23c	PART NUMBER	SIZE	ETRTO	TPI	BEAD	WEIGHT	COMPOUND	MAX PSI	COLOR	TECH
	TB86356000	700x23C	23-622	120	Foldable	230 g	3C	145	Black	3C/SilkShield
COURCHEVEL	PART NUMBER	SIZE	ETRTO	TPI	BEAD	WEIGHT	COMPOUND	MAX PSI	COLOR	TECH
	TB86345300	700x23C	23-622	120	Foldable	225 g	3C	130	B / G / G	3C/MaxxShield
	TB86345200	700x23C	23-622	120	Foldable	225 g	3C	130	O / G / B	3C/MaxxShield
CORMET	PART NUMBER	SIZE	ETRTO	TPI	BEAD	WEIGHT	COMPOUND	MAX PSI	COLOR	TECH
	TB86331200	700x23C	23-622	170	Foldable	210 g	Single	130	Black	Nylon Breaker/ONE70
COLUMBIERE	PART NUMBER	SIZE	ETRTO	TPI	BEAD	WEIGHT	COMPOUND	MAX PSI	COLOR	TECH
	TB86355000	700x23C	23-622	120	Foldable	215 g	Single	130	Black	Nylon Breaker
	TB86370000	700x25c	25-622	120	Foldable	240 g	Single	130	Black	Nylon Breaker
ROULER	PART NUMBER	SIZE	ETRTO	TPI	BEAD	WEIGHT	COMPOUND	MAX PSI	COLOR	TECH
	TB81793000	700x23C	23-622	120	Foldable	215 g	Dual	130	Black	Silkworm
	TB81793100	700x23C	23-622	120	Foldable	215 g	Dual	130	Red	Silkworm
	TB81793200	700x23C	23-622	120	Foldable	215 g	Dual	130	Orange	Silkworm
	TB81793300	700x23C	23-622	120	Foldable	215 g	Dual	130	Yellow	Silkworm
	TB81793400	700x23C	23-622	120	Foldable	215 g	Dual	130	Lime	Silkworm
	TB81793500	700x23C	23-622	120	Foldable	215 g	Dual	130	Blue	Silkworm
	TB81793600	700x23C	23-622	120	Foldable	215 g	Dual	130	Pink	Silkworm
	TB81793700	700x23C	23-622	120	Foldable	215 g	Dual	130	White	Silkworm
	TB81793800	700x23C	23-622	120	Foldable	215 g	Dual	130	Grey	Silkworm
XENITH EQUIPE LÉGERE	PART NUMBER	SIZE	ETRTO	TPI	BEAD	WEIGHT	COMPOUND	MAX PSI	COLOR	TECH
	TB86347000	700x23C	23-622	120	Foldable	155 g	Single	145	Black	—
XENITH HORS CATÉGORIE	PART NUMBER	SIZE	ETRTO	TPI	BEAD	WEIGHT	COMPOUND	MAX PSI	COLOR	TECH
	TB51753000	650x23C	23-571	120	Foldable	200 g	Dual	130	Black / Grey	Nylon Breaker
	TB86068500	700x20C	20-622	120	Foldable	175 g	Dual	130	Black / Grey	Nylon Breaker
	TB86340900	700x23C	23-622	120	Foldable	220 g	Dual	130	Black / Grey	Nylon Breaker
DETONATOR	PART NUMBER	SIZE	ETRTO	TPI	BEAD	WEIGHT	COMPOUND	MAX PSI	COLOR	TECH
	TB86349100	700x23C	23-622	27	Wire	325 g	Dual	120	Blue	Silkworm
	TB86350800	700x23C	23-622	27	Wire	325 g	Dual	120	Grey	Silkworm
	TB86349200	700x23C	23-622	27	Wire	325 g	Dual	120	Red	Silkworm
	TB86349300	700x23C	23-622	27	Wire	325 g	Dual	120	Yellow	Silkworm
	TB86351000	700x23C	23-622	60	Foldable	235 g	Dual	120	Sky Blue	Silkworm
	TB86351700	700x23C	23-622	60	Foldable	235 g	Dual	120	Lime	Silkworm
	TB86352000	700x23C	23-622	60	Foldable	240 g	Dual	120	Red	Silkworm
	TB86352100	700x23C	23-622	60	Foldable	240 g	Dual	120	Grey	Silkworm
	TB86352200	700x23C	23-622	60	Foldable	240 g	Dual	120	Yellow	Silkworm
	TB86352300	700x23C	23-622	60	Foldable	240 g	Dual	120	Orange	Silkworm

DETONATOR	PART NUMBER	SIZE	ETRTO	TPI	BEAD	WEIGHT	COMPOUND	MAX PSI	COLOR	TECH
	TB86353000	700x23C	23-622	60	Foldable	240 g	Dual	120	Blue	Silkworm
	TB86353600	700x23C	23-622	60	Foldable	230 g	Dual	120	Pink	Silkworm
	TB86353700	700x23C	23-622	60	Foldable	230 g	Dual	120	White	Silkworm
	TB86365100	700x25C	25-622	27	Wire	325 g	Dual	120	Blue	—
	TB86365400	700x25C	25-622	27	Wire	325 g	Dual	120	Grey	—
	TB86365200	700x25C	25-622	27	Wire	325 g	Dual	120	Red	—
	TB86367600	700x25C	25-622	27	Wire	325 g	Dual	120	White	—
	TB86366200	700x25C	25-622	27	Wire	325 g	Dual	120	Lime	—
	TB86367000	700x25C	25-622	60	Foldable	250 g	Dual	120	Blue	Silkworm
	TB86367500	700x25C	25-622	60	Foldable	250 g	Dual	120	Grey	Silkworm
	TB88500000	700x28C	28-622	27	Wire	315 g	Dual	120	Blue	—
	TB88499200	700x28C	28-622	27	Wire	335 g	Dual	120	White	—
	TB88499600	700x28C	28-622	27	Wire	320 g	Dual	120	Black	—
RE-FUSE	PART NUMBER	SIZE	ETRTO	TPI	BEAD	WEIGHT	COMPOUND	MAX PSI	COLOR	TECH
	TB86336000	700x23C	23-622	60	Foldable	295 g	Single	120	Black	MaxxShield
	TB86336100	700x23C	23-622	60	Foldable	300 g	Single	120	Red	MaxxShield
	TB86336200	700x23C	23-622	60	Foldable	300 g	Single	120	Yellow	MaxxShield
	TB86336300	700x23C	23-622	60	Foldable	300 g	Single	120	Orange	MaxxShield
	TB86336400	700x23C	23-622	60	Foldable	300 g	Single	120	Blue	MaxxShield
	TB86336500	700x23C	23-622	60	Foldable	300 g	Single	120	White	MaxxShield
	TB86335700	700x23C	23-622	60	Wire	360 g	Single	120	White	MaxxShield
	TB86359000	700x25C	25-622	60	Foldable	310 g	Single	120	Black	MaxxShield
	TB88505000	700x28C	28-622	60	Foldable	320 g	Single	120	Black	MaxxShield

CYCLOCROSS										
MUD WRESTLER	PART NUMBER	SIZE	ETRTO	TPI	BEAD	WEIGHT	COMPOUND	MAX PSI	COLOR	TECH
	TB88987000	700x33C	33-622	60	Wire	415 g	Single	75		
	TB88987100	700x33C	33-622	60	Foldable	365 g	Single	75		
RAZE	PART NUMBER	SIZE	ETRTO	TPI	BEAD	WEIGHT	COMPOUND	MAX PSI	COLOR	TECH
	TB88985000	700x33C	33-622	60	Wire	405 g	Single	75		
	TB88985200	700x33C	33-622	60	Foldable	355 g	Single	75		
MIMO CX	PART NUMBER	SIZE	ETRTO	TPI	BEAD	WEIGHT	COMPOUND	MAX PSI	COLOR	TECH
	TB88850000	700x32C	32-622	60	Wire	330 g	Single	75		
	TB91440000	700x35C	35-622	60	Wire	350 g	Single	75		
	TB91443000	700x35C	35-622	60	Foldable	300 g	Single	75		

HYBRID										
COLUMBIERE-HYBRID	PART NUMBER	SIZE	ETRTO	TPI	BEAD	WEIGHT	COMPOUND	MAX PSI	COLOR	TECH
	TB88852500	700x32C	32-622	60	Wire	370 g	Single	100	Black	Silkworm
DETONATOR-HYBRID	PART NUMBER	SIZE	ETRTO	TPI	BEAD	WEIGHT	COMPOUND	MAX PSI	COLOR	TECH
	TB51903000	26x1.00	25-559	60	Wire	265 g	Single	100	Black	—
	TB51904000	26x1.00	25-559	60	Foldable	225 g	Single	100	Black	—
	TB52370000	26x1.25	32-559	60	Wire	345 g	Single	100	Black	—
	TB52370100	26x1.25	32-559	60	Wire	310 g	Dual	100	Blue	—
	TB52370200	26x1.25	32-559	60	Wire	310 g	Dual	100	Red	—
	TB52370300	26x1.25	32-559	60	Wire	310 g	Dual	100	Yellow	—
	TB52370500	26x1.25	32-559	60	Wire	310 g	Dual	100	White	—

DETONATOR-HYBRID	PART NUMBER	SIZE	ETRTO	TPI	BEAD	WEIGHT	COMPOUND	MAX PSI	COLOR	TECH
	TB52370600	26x1.25	32-559	60	Wire	310 g	Dual	100	Lime	—
	TB52370700	26x1.25	32-559	60	Wire	310 g	Dual	100	Grey	—
	TB52371000	26x1.25	32-559	60	Foldable	300 g	Single	100	Black	—
	TB52371100	26x1.25	32-559	60	Foldable	265 g	Dual	100	Blue	—
	TB52371200	26x1.25	32-559	60	Foldable	265 g	Dual	100	Orange	—
	TB52371300	26x1.25	32-559	60	Foldable	265 g	Dual	100	Red	—
	TB52371400	26x1.25	32-559	60	Foldable	265 g	Dual	100	White	—
	TB52371500	26x1.25	32-559	60	Foldable	265 g	Dual	100	Yellow	—
	TB52371600	26x1.25	32-559	60	Foldable	265 g	Dual	100	Lime	—
	TB52371700	26x1.25	32-559	60	Foldable	265 g	Dual	100	Grey	—
	TB58906000	26x1.50	40/38-559	60	Wire	470 g	Dual	80	Lime	—
	TB58906100	26x1.50	40/38-559	60	Wire	470 g	Dual	80	Grey	—
	TB58907000	26x1.50	40/38-559	60	Wire	515 g	Single	80	Black	—
	TB58907200	26x1.50	40/38-559	60	Wire	470 g	Dual	80	Blue	—
	TB58907300	26x1.50	40/38-559	60	Wire	470 g	Dual	80	Red	—
	TB58907400	26x1.50	40/38-559	60	Wire	470 g	Dual	80	Yellow	—
	TB58907500	26x1.50	40/38-559	60	Wire	470 g	Dual	80	Orange	—
	TB58907600	26x1.50	40/38-559	60	Wire	470 g	Dual	80	White	—
	TB58908000	26x1.50	40/38-559	60	Foldable	475 g	Single	80	Black	—
	TB58908100	26x1.50	40/38-559	60	Foldable	430 g	Dual	80	Blue	—
	TB58908200	26x1.50	40/38-559	60	Foldable	430 g	Dual	80	Orange	—
	TB58908300	26x1.50	40/38-559	60	Foldable	430 g	Dual	80	Red	—
	TB58908400	26x1.50	40/38-559	60	Foldable	430 g	Dual	80	White	—
	TB58908500	26x1.50	40/38-559	60	Foldable	430 g	Dual	80	Yellow	—
	TB58908600	26x1.50	40/38-559	60	Foldable	430 g	Dual	80	Lime	—
	TB58908700	26x1.50	40/38-559	60	Foldable	430 g	Dual	80	Grey	—
XENITH 1.5	PART NUMBER	SIZE	ETRTO	TPI	BEAD	WEIGHT	COMPOUND	MAX PSI	COLOR	TECH
	TB58903100	26x1.50	40-559	60	Wire	465 g	Single	80	Black	—
	TB58905100	26x1.50	40-559	60	Foldable	425 g	Single	80	Black	—
OVERDRIVE	PART NUMBER	Tire SIZE	ETRTO	TPI	BEAD	WEIGHT	COMPOUND	MAX PSI	COLOR	TECH
	TB64110400	26x1.75x2	47-559	27	Wire	660 g	Single	50	Black	Maxx Protect
	TB64110800	26x1.75x2	47-559	60	Wire	585 g	Single	50	Black	Kevlar Inside
	TB64110600	26x1.75x2	47-559	60	Wire	615 g	Single	50	Black	K2
	TB90108400	28x1 5/8x 1 3/8	37-622	27	Wire	620 g	Single	75	Black	Maxx Protect
	TB90108000	28x1 5/8x 1 3/8	37-622	60	Wire	520 g	Single	75	Black	Kevlar Inside
	TB90108700	28x1 5/8x 1 3/8	37-622	60	Wire	500 g	Single	75	Black	K2
	TB95688400	700x38C	40-622	27	Wire	680 g	Single	75	Black	Maxx Protect
	TB95688700	700x38C	40-622	60	Wire	590 g	Single	75	Black	K2
	TB96135500	700x40C	42-622	27	Wire	695 g	Single	75	Black	Maxx Protect
	TB96135800	700x40C	42-622	60	Wire	590 g	Single	75	Black	K2
OVERDRIVE EXCEL	PART NUMBER	SIZE	ETRTO	TPI	BEAD	WEIGHT	COMPOUND	MAX PSI	COLOR	TECH
	TB64505000	26x1.75	42-559	60	Wire	555 g	Dual	80	Black	SilkShield
	TB69104300	26x2.00	50-559	60	Wire	725 g	Dual	65	Black	SilkShield
	TB88842000	700x32C	32-622	60	Wire	475 g	Dual	75	Black	SilkShield
	TB91437000	700x35C	35-622	60	Wire	535 g	Dual	75	Black	SilkShield
	TB96137000	700x40C	40-622	60	Wire	625 g	Dual	75	Black	SilkShield

OVERDRIVE ELITE	PART NUMBER	SIZE	ETRTO	TPI	BEAD	WEIGHT	COMPOUND	MAX PSI	COLOR	TECH
	TB20120000	20x1.15	28-406	60	Wire	245 g	Single	100	Black	K2
	TB22310000	20x1.35	32-406	60	Wire	365 g	Single	100	Black	K2
	TB64506000	26x1.75	42-559	120	Foldable	500 g	Dual	80	Black	K2
	TB91438000	700x35C	35-622	120	Foldable	475 g	Dual	75	Black	K2
ROAMER	PART NUMBER	SIZE	ETRTO	TPI	BEAD	WEIGHT	COMPOUND	MAX PSI	COLOR	TECH
<b>NEW</b>	TB23110000	20x1.65	42-406	60	Wire	460 g	Dual	100	Black	Kevlar Inside
<b>NEW</b>	TB60865000	26x1.65	42-559	60	Wire	600 g	Dual	80	Black	Kevlar Inside
<b>NEW</b>	TB96354000	700x42C	44-622	60	Wire	715 g	Dual	75	Black	Kevlar Inside
<b>NEW</b>	TB96356000	700x42C	44-622	60	Wire	690 g	Dual	75	Black	eBike/SilkShield
GYPSY	PART NUMBER	SIZE	ETRTO	TPI	BEAD	WEIGHT	COMPOUND	MAX PSI	COLOR	TECH
<b>NEW</b>	TB22781000	20x1.50	38-406	60	Wire	400 g	Dual	100	Black	Silkworm
<b>NEW</b>	TB58915000	26x1.50	38-559	60	Wire	495 g	Dual	80	Black	Silkworm
<b>NEW</b>	TB69917000	26x2.10	53-559	60	Wire	785 g	Dual	65	Black	ebike/SilkShield
<b>NEW</b>	TB95734000	700x38C	40-622	60	Wire	645 g	Dual	85	Black	SilkShield
<b>NEW</b>	TB95735000	700x38C	40-622	60	Wire	645 g	Dual	85	Black	ebike/SilkShield
METROPASS	PART NUMBER	SIZE	ETRTO	TPI	BEAD	WEIGHT	COMPOUND	MAX PSI	COLOR	TECH
	TB65715000	26x1.80	42-559	120	Foldable	450 g	Dual	65	Black	K2
	TB66035000	26x1.90	47-559	120	Foldable	520 g	Dual	65	Black	K2

MOUNTAIN										
HIGH ROLLER II	PART NUMBER	SIZE	ETRTO	TPI	BEAD	WEIGHT	COMPOUND	MAX PSI	COLOR	TECH
<b>NEW</b>	TB73307000	26x2.30	58-559	60	Foldable	835 g	Dual	60	Black	EXO/TR
<b>NEW</b>	TB73307100	26x2.30	58-559	60	Foldable	840 g	3C MaxxTerra	60	Black	3C/EXO/TR
	TB74177300	26x2.40	61-559	60	Foldable	920 g	Single	65	Black	EXO
	TB74177500	26x2.40	61-559	60	Foldable	855 g	3C MaxxTerra	65	Black	3C/EXO
<b>NEW</b>	TB85915400	27.5x2.40	61-584	60	Foldable	965 g	Single	65	Black	EXO
<b>NEW</b>	TB85915600	27.5x2.40	61-584	60	Foldable	890 g	3C MaxxTerra	65	Black	3C/EXO
<b>NEW</b>	TB96769000	29x2.30	58-622	60	Foldable	910 g	Dual	60	Black	EXO/TR
<b>NEW</b>	TB96769100	29x2.30	58-622	60	Foldable	920 g	3C MaxxTerra	60	Black	3C/EXO/TR
MAXXLITE 285 & 29	PART NUMBER	SIZE	ETRTO	TPI	BEAD	WEIGHT	COMPOUND	MAX PSI	COLOR	TECH
	TB69089000	26x2.00	50-559	170	Foldable	285 g	Dual	60	Black	Silkworm/ONE70
	TB96685000	29x2.00	50-622	170	Foldable	345 g	Dual	60	Black	Silkworm/ONE70
MAXXLITE 310	PART NUMBER	SIZE	ETRTO	TPI	BEAD	WEIGHT	COMPOUND	MAX PSI	COLOR	TECH
	TB66548000	26x1.95	44-559	170	Foldable	310 g	Single	65	Black	Silkworm/ONE70
BEAVER	PART NUMBER	SIZE	ETRTO	TPI	BEAD	WEIGHT	COMPOUND	MAX PSI	COLOR	TECH
<b>NEW</b>	TB69107000	26x2.00	50-559	60	Wire	555 g	Dual	65	Black	—
<b>NEW</b>	TB69107100	26x2.00	50-559	60	Foldable	515 g	Dual	65	Black	—
<b>NEW</b>	TB69107200	26x2.00	50-559	120	Foldable	470 g	Dual	65	Black	—
	TB96645000	29x2.00	50-622	60	Wire	650 g	Dual	65	Black	—
	TB96645100	29x2.00	50-622	60	Foldable	575 g	Dual	65	Black	—
	TB96645200	29x2.00	50-622	120	Foldable	520 g	Dual	65	Black	—
IKON	PART NUMBER	SIZE	ETRTO	TPI	BEAD	WEIGHT	COMPOUND	MAX PSI	COLOR	TECH
	TB72385200	26x2.20	57-559	60	Wire	620 g	Dual	65	Black	—
	TB72385300	26x2.20	57-559	60	Foldable	540 g	Dual	65	Black	—
	TB72385400	26x2.20	57-559	120	Foldable	515 g	Dual	65	Black	Silkworm
	TB72385100	26x2.20	57-559	120	Foldable	480 g	3C Maxx Speed	65	Black	3C
	TB72385000	26x2.20	57-559	120	Foldable	540 g	3C Maxx Speed	65	Black	3C/EXO
<b>NEW</b>	TB72390000	26x2.20	57-559	120	Foldable	535 g	3C Maxx Speed	60	Black	3C/TR

# QUICK REFERENCE

	IKON	PART NUMBER	SIZE	ETRTO	TPI	BEAD	WEIGHT	COMPOUND	MAX PSI	TECH
	<b>NEW</b>	TB72390100	26x2.20	57-559	120	Foldable	585 g	3C Maxx Speed	60	3C/EXO/TR
	<b>NEW</b>	TB73497000	26x2.35	60-559	120	Foldable	590 g	3C Maxx Speed	65	3C
	<b>NEW</b>	TB73497100	26x2.35	60-559	120	Foldable	645 g	3C Maxx Speed	65	3C/EXO
		TB96753200	29x2.20	57-622	60	Wire	655 g	Dual	65	---
		TB96753300	29x2.20	57-622	60	Foldable	580 g	Dual	65	---
		TB96753400	29x2.20	57-622	120	Foldable	560 g	Dual	65	Silkworm
		TB96753100	29x2.20	57-622	120	Foldable	520 g	3C Maxx Speed	65	3C
		TB96753000	29x2.20	57-622	120	Foldable	590 g	3C Maxx Speed	65	3C/EXO
	<b>NEW</b>	TB96740000	29x2.20	57-622	120	Foldable	590 g	3C Maxx Speed	60	3C/TR
		TB96740100	29x2.20	57-622	120	Foldable	645 g	3C Maxx Speed	60	3C/EXO/TR
	<b>NEW</b>	TB96729000	29x2.35	60-622	120	Foldable	685 g	3C Maxx Speed	65	3C
	<b>NEW</b>	TB96729100	29x2.35	60-622	120	Foldable	760 g	3C Maxx Speed	65	3C/EXO
	LARSEN ORIFLAMME	PART NUMBER	SIZE	ETRTO	TPI	BEAD	WEIGHT	COMPOUND	MAX PSI	TECH
		TB69091100	26x2.00	50-559	60	Wire	680 g	Single	65	---
		TB69095500	26x2.00	50-559	120	Foldable	540 g	Single	65	Silkworm
	ASPEN	PART NUMBER	SIZE	ETRTO	TPI	BEAD	WEIGHT	COMPOUND	MAX PSI	TECH
		TB69797000	26x2.10	52-559	60	Wire	610 g	Dual	65	---
		TB69797500	26x2.10	52-559	60	Foldable	525 g	Dual	65	---
		TB69798000	26x2.10	52-559	120	Foldable	475 g	Dual	65	---
		TB72557000	26x2.25	54-559	60	Wire	670 g	Dual	65	---
		TB72557500	26x2.25	54-559	60	Foldable	590 g	Dual	65	---
		TB72558000	26x2.25	54-559	120	Foldable	535 g	Dual	65	---
		TB96689500	29x2.10	52-622	60	Foldable	585 g	Dual	65	---
		TB96689000	29x2.10	52-622	120	Foldable	530 g	Dual	65	---
	CROSSMARK	PART NUMBER	SIZE	ETRTO	TPI	BEAD	WEIGHT	COMPOUND	MAX PSI	TECH
		TB66721000	26x1.95	47-559	60	Wire	540 g	Single	65	---
		TB66722000	26x1.95	47-559	60	Foldable	500 g	Single	65	---
		TB66722500	26x1.95	47-559	120	Foldable	480 g	Single	65	Silkworm
		TB69783000	26x2.10	52-559	60	Wire	635 g	Single	65	---
		TB69784000	26x2.10	52-559	60	Foldable	545 g	Single	65	---
		TB69783200	26x2.10	52-559	120	Foldable	515 g	Single	65	Silkworm
		TB69783300	26x2.10	52-559	120	Foldable	545 g	Single	65	EXO
		TB69624000	26x2.10	52-559	120	Foldable	725 g	Dual	60	LUST/UST
		TB72547000	26x2.25	54-559	60	Wire	720 g	Single	65	---
		TB72548000	26x2.25	54-559	60	Foldable	640 g	Single	65	---
		TB72545000	26x2.25	54-559	120	Foldable	885 g	Dual	60	LUST/UST
	<b>NEW</b>	TB85910000	27.5x2.10	53-584	60	Wire	665 g	Single	65	---
	<b>NEW</b>	TB85910100	27.5x2.10	53-584	60	Foldable	575 g	Single	65	---
	<b>NEW</b>	TB85910400	27.5x2.10	53-584	120	Foldable	515 g	Single	65	---
		TB96698000	29x2.10	52/52-622	60	Wire	680 g	Single	65	---
		TB96699000	29x2.10	52/52-622	60	Foldable	605 g	Single	65	---
		TB96697000	29x2.10	53-622	120	Foldable	840 g	Dual	60	LUST/UST
	LARSEN TT	PART NUMBER	SIZE	ETRTO	TPI	BEAD	WEIGHT	COMPOUND	MAX PSI	TECH
		TB65994100	26x1.90	44-559	60	Wire	475 g	Single	65	---
		TB65998100	26x1.90	44-559	60	Foldable	430 g	Single	65	---
		TB65998500	26x1.90	44-559	120	Foldable	380 g	Single	65	Silkworm
		TB65993200	26x1.90	44-559	120	Foldable	590 g	Dual	60	LUST/UST
		TB69084100	26x2.00	50-559	60	Wire	625 g	Single	65	---

	LARSEN TT	PART NUMBER	SIZE	ETRTO	TPI	BEAD	WEIGHT	COMPOUND	MAX PSI	TECH
		TB69087000	26x2.00	50-559	60	Foldable	545 g	Single	65	---
		TB69088500	26x2.00	50-559	120	Foldable	505 g	Single	65	Silkworm
		TB69103100	26x2.00	50-559	120	Foldable	725 g	Dual	60	LUST/UST
		TB73536600	26x2.35	52-559	60	Wire	700 g	Single	65	---
		TB73539800	26x2.35	52-559	60	Foldable	625 g	Single	65	---
		TB73536500	26x2.35	52-559	60	Wire	735 g	Super Tacky	65	ST
		TB73537600	26x2.35	52-559	60	Wire	1.015 g	Single	65	DH Casing
		TB73537000	26x2.35	52-559	60	Wire	1.050 g	Super Tacky	65	ST/DH Casing
	MONORAIL	PART NUMBER	SIZE	ETRTO	TPI	BEAD	WEIGHT	COMPOUND	MAX PSI	TECH
		TB69787000	26x2.10	52-559	60	Wire	615 g	Single	65	---
		TB69789000	26x2.10	52-559	60	Foldable	535 g	Single	65	---
		TB69789300	26x2.10	52-559	120	Foldable	530 g	Single	65	Silkworm
		TB69790000	26x2.10	52-559	120	Foldable	720 g	Dual	60	LUST/UST
	IGNITOR	PART NUMBER	SIZE	ETRTO	TPI	BEAD	WEIGHT	COMPOUND	MAX PSI	TECH
		TB66711100	26x1.95	44-559	60	Wire	535 g	Single	65	---
		TB66712900	26x1.95	44-559	60	Foldable	495 g	Single	65	---
		TB66713000	26x1.95	44-559	120	Foldable	495 g	Single	65	Silkworm
		TB66540100	26x1.95	44-559	120	Foldable	665 g	Dual	60	LUST/UST
		TB69756500	26x2.10	47-559	60	Wire	620 g	Single	65	---
		TB69756900	26x2.10	47-559	60	Foldable	575 g	Single	65	---
		TB69757100	26x2.10	47-559	120	Foldable	505 g	Single	65	Silkworm
		TB69754200	26x2.10	47-559	120	Foldable	710 g	Dual	60	LUST/UST
		TB73559400	26x2.35	52-559	60	Wire	775 g	Single	65	---
		TB73561500	26x2.35	52-559	60	Foldable	690 g	Single	65	---
		TB73560000	26x2.35	52/55-559	60	Foldable	770 g	Single	65	EXO
		TB73457100	26x2.35	52-559	120	Foldable	850 g	Dual	60	LUST/UST
		TB96696000	29x2.10	52/52-622	60	Foldable	595 g	Single	65	---
		TB96694500	29x2.10	52/52-622	120	Foldable	595 g	Single	65	EXO
	ARDENT RACE	PART NUMBER	SIZE	ETRTO	TPI	BEAD	WEIGHT	COMPOUND	MAX PSI	TECH
		<b>NEW</b> TB72374000	26x2.20	56-559	120	Foldable	640 g	3C MaxxSpeed	65	3C/TR
		<b>NEW</b> TB72374100	26x2.20	56-559	120	Foldable	685 g	3C MaxxSpeed	65	3C/EXO/TR
		<b>NEW</b> TB85918000	27.5x2.20	56-584	120	Foldable	660 g	3C MaxxSpeed	65	3C/TR
		<b>NEW</b> TB85918100	27.5x2.20	56-584	120	Foldable	710 g	3C MaxxSpeed	60	3C/EXO/TR
		<b>NEW</b> TB96742000	29x2.20	56-622	120	Foldable	695 g	3C MaxxSpeed	65	3C/TR
		<b>NEW</b> TB96742100	29x2.20	56-622	120	Foldable	745 g	3C MaxxSpeed	65	3C/EXO/TR
	ARDENT	PART NUMBER	SIZE	ETRTO	TPI	BEAD	WEIGHT	COMPOUND	MAX PSI	TECH
		TB72554000	26x2.25	54/56-559	60	Wire	725 g	Single	65	---
		TB72555000	26x2.25	54/56-559	60	Foldable	650 g	Single	65	---
		TB72560000	26x2.25	54/56-559	60	Foldable	705 g	Single	65	EXO
		TB72566000	26x2.25	54/56-559	120	Foldable	830 g	Dual	60	LUST/UST
		TB74176000	26x2.40	58/60-559	60	Wire	905 g	Single	65	EXO
		TB74177000	26x2.40	58/60-559	60	Foldable	825 g	Single	65	EXO
		<b>NEW</b> TB85913000	27.5x2.25	57-584	60	Wire	740 g	Single	65	---
		<b>NEW</b> TB85913100	27.5x2.25	57-584	60	Foldable	660 g	Single	65	---
		<b>NEW</b> TB85913400	27.5x2.25	57-584	60	Foldable	725 g	Single	65	EXO
		TB96712000	29x2.25	54/56-622	60	Wire	775 g	Single	65	---
		TB96712500	29x2.25	54/56-622	60	Foldable	690 g	Single	65	---
	<b>NEW</b>	TB96712700	29x2.25	54/56/622	60	Foldable	745 g	Single	65	EXO

ARDENT	PART NUMBER	SIZE	ETRTO	TPI	BEAD	WEIGHT	COMPOUND	MAX PSI	TECH
	TB69712900	29x2.25	54/56-622	120	Foldable	885 g	Dual	60	LUST/UST
	TB69789000	29x2.40	59/61-622	60	Foldable	805 g	Single	65	EXO
RANCHERO	PART NUMBER	SIZE	ETRTO	TPI	BEAD	WEIGHT	COMPOUND	MAX PSI	TECH
	TB69124000	26x2.00	50-559	60	Wire	675 g	Single	65	---
	TB69126100	26x2.00	50-559	60	Foldable	590 g	Single	65	---
	TB69126500	26x2.00	50-559	120	Foldable	600 g	Single	65	Silkworm
	TB69123200	26x2.00	52-559	120	Foldable	755 g	Dual	60	LUST/UST
ADVANTAGE	PART NUMBER	SIZE	ETRTO	TPI	BEAD	WEIGHT	COMPOUND	MAX PSI	TECH
	TB69809000	26x2.10	52/53-559	60	Wire	705 g	Single	65	---
	TB69810000	26x2.10	52/53-559	60	Foldable	625 g	Single	65	---
	TB69810100	26x2.10	52/53-559	120	Foldable	555 g	Dual	65	Silkworm
	TB69801000	26x2.10	52-559	120	Foldable	780 g	Dual	60	LUST/UST
	TB72550000	26x2.25	54/56-559	60	Wire	760 g	Single	65	---
	TB72552000	26x2.25	54/56-559	60	Foldable	700 g	Single	65	---
	TB74178100	26x2.40	56/58-559	60	Wire	980 g	Single	65	EXO
HIGH ROLLER	PART NUMBER	SIZE	ETRTO	TPI	BEAD	WEIGHT	COMPOUND	MAX PSI	TECH
	TB66027500	26x1.90	44-559	60	Wire	560 g	Single	65	---
	TB66030100	26x1.90	44-559	60	Foldable	510 g	Single	65	---
	TB66030500	26x1.90	44-559	120	Foldable	495 g	Single	65	Silkworm
	TB65975100	26x1.90	44-559	120	Foldable	705 g	Dual	60	LUST/UST
	TB69762000	26x2.10	47-559	60	Wire	565 g	Single	65	---
	TB69764400	26x2.10	47-559	60	Foldable	525 g	Single	65	---
	TB69764500	26x2.10	47-559	120	Foldable	505 g	Single	65	Silkworm
	TB69622200	26x2.10	47-559	120	Foldable	7255 g	Dual	60	LUST/UST
	TB73614500	26x2.35	52-559	60	Wire	775 g	Single	65	---
	TB73615800	26x2.35	52-559	60	Wire	865 g	Super Tacky	65	ST
	TB73616200	26x2.35	52-559	60	Foldable	690 g	Single	65	---
	TB73613600	26x2.35	52-559	120	Foldable	915 g	Dual	60	LUST/UST
MEDUSA	PART NUMBER	SIZE	ETRTO	TPI	BEAD	WEIGHT	COMPOUND	MAX PSI	TECH
	TB60298000	26x1.55	40-559	60	Wire	425 g	Single	65	---
	TB65711100	26x1.80	44-559	60	Wire	520 g	Single	65	---
	TB65713300	26x1.80	44-559	60	Foldable	475 g	Single	65	---
	TB65713700	26x1.80	44-559	120	Foldable	510 g	Single	65	Silkworm
	TB65710300	26x1.80	44-559	60	Foldable	645 g	Dual	60	LUST/UST
	TB69765300	26x2.10	47-559	60	Wire	575 g	Single	65	---
	TB69767300	26x2.10	47-559	60	Foldable	535 g	Single	65	---
	TB69767700	26x2.10	47-559	120	Foldable	525 g	Single	65	Silkworm
	TB69768100	26x2.10	47-559	60	Foldable	710 g	Dual	60	LUST/UST
MINION DHF	PART NUMBER	SIZE	ETRTO	TPI	BEAD	WEIGHT	COMPOUND	MAX PSI	TECH
	TB73550400	26x2.35	52-559	60	Wire	785 g	Single	65	---
	TB73550800	26x2.35	52-559	60	Foldable	700 g	Single	65	---
	TB73550000	26x2.35	52-559	60	Wire	825 g	Super Tacky	65	ST
<b>NEW</b>	TB74267000	26x2.50	55/59-559	60	Foldable	880 g	Single	65	EXO
	TB74267400	26x2.50	55/59-559	60	Foldable	940 g	Super Tacky	65	ST/EXO
	TB74267300	26x2.50	55/59-559	60	Foldable	860 g	3C MaxxTerra	65	3C/EXO
<b>NEW</b>	TB96800000	29x2.50	63-622	60	Foldable	1015 g	Dual	50	EXO/TR
<b>NEW</b>	TB96800300	29x2.50	63-622	60	Foldable	1015g	3C MaxxTerra	50	3C/EXO/TR

MINION DHR	PART NUMBER	SIZE	ETRTO	TPI	BEAD	WEIGHT	COMPOUND	MAX PSI	TECH
	TB73557400	26x2.35	52-559	60	Wire	785 g	Single	65	---
	TB73557800	26x2.35	52-559	60	Foldable	700 g	Single	65	---
	TB73557000	26x2.35	52-559	60	Wire	825 g	Super Tacky	65	ST
MINION DHR II	PART NUMBER	SIZE	ETRTO	TPI	BEAD	WEIGHT	COMPOUND	MAX PSI	TECH
<b>NEW</b>	TB72907400	26x2.40	61-559	60	Foldable	910 g	Single	65	EXO
<b>NEW</b>	TB72907300	26x2.40	61-559	60	Foldable	885 g	3C MaxxTerra	65	3C/EXO
<b>NEW</b>	TB73303000	26x2.30	58-559	60	Foldable	780 g	Dual	60	EXO/TR
<b>NEW</b>	TB73303100	26x2.30	58-559	60	Foldable	755 g	3C MaxTerra	60	3C/EXO/TR
<b>NEW</b>	TB96776000	29x2.30	58-622	60	Foldable	855 g	Dual	60	EXO/TR
<b>NEW</b>	TB96776100	29x2.30	58-622	60	Foldable	825 g	3C MaxTerra	60	3C/EXO/TR
MOBSTER	PART NUMBER	SIZE	ETRTO	TPI	BEAD	WEIGHT	COMPOUND	MAX PSI	TECH
	TB69694100	26x2.10	47-559	60	Foldable	660 g	Single	65	---
WORMDRIVE	PART NUMBER	SIZE	ETRTO	TPI	BEAD	WEIGHT	COMPOUND	MAX PSI	TECH
	TB65973100	26x1.90	44-559	120	Foldable	635 g	Dual	60	LUST/UST

DOWNHILL									
HIGH ROLLER II	PART NUMBER	SIZE	ETRTO	TPI	BEAD	WEIGHT	COMPOUND	MAX PSI	TECH
	TB74177200	26x2.40	61-559	60	Wire	1,260 g	Single	65	---
	TB74177600	26x2.40	61-559	60	Wire	1,225 g	Super Tacky	65	ST
	TB74177100	26x2.40	61-559	60	Wire	1,260 g	3C Maxx Grip	65	3C
<b>NEW</b>	TB85915300	27.5x2.40	61-584	60	Wire	1305 g	Single	65	---
<b>NEW</b>	TB85915100	27.5x2.40	61-584	60	Wire	1270 g	Super Tacky	65	ST
<b>NEW</b>	TB85915200	27.5x2.40	61-584	60	Wire	1305 g	3C Maxx Grip	65	3C
HIGH ROLLER	PART NUMBER	SIZE	ETRTO	TPI	BEAD	WEIGHT	COMPOUND	MAX PSI	TECH
	TB50653300	24x2.50	55-507	60	Wire	1,080 g	Single	65	---
	TB50689500	24x2.70	59-507	60	Wire	1,285 g	Single	65	---
	TB73615300	26x2.35	52-559	60	Wire	1,070 g	Single	65	---
	TB73615700	26x2.35	52-559	60	Wire	1,155 g	Super Tacky	65	ST
	TB74302100	26x2.50	54-559	60	Wire	1,180 g	Single	65	---
	TB74220500	26x2.50	55-559	27	Foldable	1,170 g	Dual	55	UST
	TB74301700	26x2.50	54-559	60	Wire	1,185 g	Super Tacky	65	ST
	TB74220000	26x2.50	55-559	27	Foldable	1,215 g	Super Tacky	55	ST/UST
	TB74301600	26x2.50	54-559	60	Wire	1,265 g	3C Maxx Grip	65	3C
	TB74316300	26x2.70	59-559	60	Wire	1,390 g	Single	65	---
	TB74315000	26x2.70	59-559	60	Wire	1,320 g	Super Tacky	65	ST
MINION DHF	PART NUMBER	SIZE	ETRTO	TPI	BEAD	WEIGHT	COMPOUND	MAX PSI	TECH
	TB73549300	26x2.35	52-559	60	Wire	1,080 g	Single	65	---
	TB73548000	26x2.35	52-559	60	Wire	1,120 g	Super Tacky	65	ST
	TB74265700	26x2.50	55-559	60	Wire	1,180 g	Single	65	---
	TB74262100	26x2.50	55-559	27	Foldable	1,170 g	Dual	55	UST
	TB74265000	26x2.50	55-559	60	Wire	1,200 g	Super Tacky	65	ST
	TB74262000	26x2.50	55-559	27	Foldable	1,180 g	Super Tacky	55	ST/UST
	TB74265500	26x2.50	55-559	60	Wire	1,265 g	3C Maxx Grip	65	3C
	TB74319300	26x2.70	59-559	60	Wire	1,390 g	Single	65	---
	TB74319000	26x2.70	59-559	60	Wire	1,320 g	Super Tacky	65	ST
	TB74319400	26x2.70	59-559	60	Wire	1,320 g	3C Maxx Grip	65	3C
<b>NEW</b>	TB96800100	29x2.50	63-622	60	Foldable	1255 g	Dual	50	TR
<b>NEW</b>	TB96800200	29x2.50	63-622	60	Foldable	1220 g	3C Maxx Grip	50	3C/TR

# QUICK REFERENCE

MINION DHR	PART NUMBER	SIZE	ETRTO	TPI	BEAD	WEIGHT	COMPOUND	MAX PSI	TECH
	TB73555300	26x2.35	52-559	60	Wire	1,080 g	Single	65	—
	TB73555000	26x2.35	52-559	60	Wire	1,125 g	Super Tacky	65	ST
	TB74272500	26x2.50	55-559	60	Wire	1,180 g	Single	65	—
	TB74222100	26x2.50	55-559	27	Foldable	1,170 g	Dual	55	UST
	TB74272000	26x2.50	55-559	60	Wire	1,190 g	Super Tacky	65	ST
	TB74222000	26x2.50	55-559	27	Foldable	1,185 g	Super Tacky	55	ST/UST
	TB74272600	26x2.50	55-559	60	Wire	1,265 g	3C Maxx Grip	65	3C
	TB74325300	26x2.70	59-559	60	Wire	1,390 g	Single	65	—
	TB74325000	26x2.70	59-559	60	Wire	1,320 g	Super Tacky	65	ST
MINION DHR II	PART NUMBER	SIZE	ETRTO	TPI	BEAD	WEIGHT	COMPOUND	MAX PSI	TECH
<b>NEW</b>	TB72907000	26x2.40	61-559	60	Wire	1,240 g	Single	65	—
<b>NEW</b>	TB72907200	26x2.40	61-559	60	Wire	1,225 g	Super Tacky	65	ST
<b>NEW</b>	TB72907100	26x2.40	61-559	60	Wire	1,265 g	3C Maxx Grip	65	3C
WETSREAM	PART NUMBER	SIZE	ETRTO	TPI	BEAD	WEIGHT	COMPOUND	MAX PSI	TECH
	TB72399000	26x2.20	52-559	60	Wire	1,000 g	Single	65	—
	TB74276000	26x2.50	55-559	60	Wire	1,160 g	Super Tacky	65	ST
SWAMPTHING	PART NUMBER	SIZE	ETRTO	TPI	BEAD	WEIGHT	COMPOUND	MAX PSI	TECH
	TB73608900	26x2.35	52-559	60	Wire	1,040 g	Single	65	—
	TB74252200	26x2.50	55-559	60	Wire	1,080 g	Single	65	—
	TB74251700	26x2.50	55-559	60	Wire	1,110 g	Super Tacky	65	ST

## URBAN

DTH	PART NUMBER	SIZE	ETRTO	TPI	BEAD	WEIGHT	COMPOUND	MAX PSI	TECH
	TB72680000	26x2.15	52/54-559	60	Wire	635 g	Single	80	—
	TB72683000	26x2.15	52/54-559	60	Foldable	550 g	Single	80	—
<b>NEW</b>	TB72683100	26x2.15	52/54-559	60	Foldable	555 g	Single	80	Skinwall
	TB72685000	26x2.15	52/54-559	120	Foldable	530 g	Single	80	Silkworm
	TB73300000	26x2.30	55/58-559	60	Wire	730 g	Single	65	—
	TB73301000	26x2.30	55/58-559	60	Foldable	650 g	Single	65	—
HOLY ROLLER	PART NUMBER	SIZE	ETRTO	TPI	BEAD	WEIGHT	COMPOUND	MAX PSI	TECH
	TB72392000	26x2.20	55-559	60	Wire	800 g	Single	65	—
	TB72393000	26x2.20	52-559	60	Foldable	735 g	Single	65	Silkworm
	TB74180100	26x2.40	55-559	60	Wire	830 g	Single	65	—
HOOKEWORM	PART NUMBER	SIZE	ETRTO	TPI	BEAD	WEIGHT	COMPOUND	MAX PSI	TECH
	TB74255100	26x2.50	61-559	60	Wire	1,125 g	Single	65	—

## BMX

TORCH	PART NUMBER	SIZE	ETRTO	TPI	BEAD	WEIGHT	COMPOUND	MAX PSI	TECH
<b>NEW</b>	TB22783000	20x1.50	38-406	120	Foldable	315 g	Dual	110	Silkworm
<b>NEW</b>	TB24755000	20x1.75	44-406	120	Foldable	345 g	Dual	110	Silkworm
<b>NEW</b>	TB29519000	20x1.95	49-406	120	Foldable	370 g	Dual	110	Silkworm
RIZER	PART NUMBER	SIZE	ETRTO	TPI	BEAD	WEIGHT	COMPOUND	MAX PSI	TECH
	TB30909000	20x2.15	53-406	60	Foldable	545 g	Dual	110	EXO
	TB35858000	20x2.30	58-406	60	Foldable	595 g	Dual	110	EXO
SNYPER	PART NUMBER	SIZE	ETRTO	TPI	BEAD	WEIGHT	COMPOUND	MAX PSI	TECH
	TB29768100	20x2.00	50-406	60	Wire	520 g	Dual	110	EXO
	TB35790200	20x2.25	57-406	60	Wire	600 g	Dual	110	EXO
	TB49307100	24x2.00	50-507	60	Wire	650 g	Dual	65	EXO

DTH	PART NUMBER	SIZE	ETRTO	TPI	BEAD	WEIGHT	COMPOUND	MAX PSI	TECH
	TB20352000	20x1 1/8	28-451	120	Wire	245 g	Dual	85	Silkworm
	TB20629000	20x1 3/8	37-451	120	Wire	315 g	Dual	65	Silkworm
	TB22329000	20x1.50	38-406	120	Wire	355 g	Dual	110	Silkworm
	TB22329500	20x1.50	38-406	120	Foldable	300 g	Dual	110	Silkworm
	TB24750000	20x1.75	44-406	120	Wire	400 g	Dual	110	Silkworm
	TB24751000	20x1.75	44-406	120	Foldable	350 g	Dual	110	Silkworm
	TB29464000	20x1.95	49-406	120	Wire	430 g	Dual	110	Silkworm
	TB29464500	20x1.95	49-406	120	Foldable	380 g	Dual	110	Silkworm
	TB31024000	20x2.20	56-406	120	Wire	540 g	Dual	110	Silkworm
	TB31025000	20x2.20	56-406	120	Foldable	490 g	Dual	110	Silkworm
	TB47649000	24x1.75	44-507	120	Wire	440 g	Dual	65	Silkworm
GRIFTER	PART NUMBER	SIZE	ETRTO	TPI	BEAD	WEIGHT	COMPOUND	MAX PSI	TECH
	TB29643500	20x1.85	48-406	120	Wire	465 g	Dual	110	EXO
	TB29643000	20x1.85	48-406	120	Foldable	405 g	Dual	110	EXO
	TB30704000	20x2.10	53-406	120	Wire	510 g	Dual	110	EXO
	TB30704600	20x2.10	53-406	120	Foldable	445 g	Dual	110	EXO
MAXXDADDY	PART NUMBER	SIZE	ETRTO	TPI	BEAD	WEIGHT	COMPOUND	MAX PSI	TECH
	TB29650000	20x1.85	50-406	60	Wire	500 g	Single	40	—
	TB29682000	20x2.00	54-406	60	Wire	555 g	Single	40	—
HOLY ROLLER	PART NUMBER	SIZE	ETRTO	TPI	BEAD	WEIGHT	COMPOUND	MAX PSI	TECH
	TB20350000	20x1 1/8	28-451	60	Wire	260 g	Single	85	—
	TB20628000	20x1 3/8	37-451	60	Wire	355 g	Single	65	—
	TB24748000	20x1.75	47-406	60	Wire	425 g	Single	60	—
	TB29478000	20x1.95	53-406	60	Wire	495 g	Single	60	—
	TB31020000	20x2.20	56-406	60	Wire	610 g	Single	60	—
	TB47640000	24x1.75	47-507	60	Wire	525 g	Single	60	—
	TB49212000	24x1.85	50-507	60	Wire	610 g	Single	60	—
HOOKEWORM	PART NUMBER	SIZE	ETRTO	TPI	BEAD	WEIGHT	COMPOUND	MAX PSI	TECH
	TB14410000	16x1.95	53-305	60	Wire	540 g	Single	110	—
	TB29461000	20x1.95	53-406	60	Wire	720 g	Single	110	—
MIRACLE	PART NUMBER	SIZE	ETRTO	TPI	BEAD	WEIGHT	COMPOUND	MAX PSI	TECH
	TB29648000	20x1.85	48-406	60	Wire	650 g	Single	110	—
	TB30698000	20x2.10	53-406	60	Wire	695 g	Single	110	—
	TB30698500	20x2.10	53-406	120	Foldable	555 g	Single	110	SilkShield
M-TREAD	PART NUMBER	SIZE	ETRTO	TPI	BEAD	WEIGHT	COMPOUND	MAX PSI	TECH
	TB29647000	20x1.85	48-406	60	Wire	715 g	Single	110	—
	TB30696000	20x2.10	53-406	60	Wire	825 g	Single	110	—
RINGWORM	PART NUMBER	SIZE	ETRTO	TPI	BEAD	WEIGHT	COMPOUND	MAX PSI	TECH
	TB29459000	20x1.95	53-406	60	Wire	720 g	Single	110	—

## MODIFIED TRIALS

CREEPY CRAWLER F	PART NUMBER	SIZE	ETRTO	TPI	BEAD	WEIGHT	COMPOUND	MAX PSI	TECH
	TB29688100	20x2.00	54-406	60	Wire	625 g	Super Tacky	50	ST
CREEPY CRAWLER R	PART NUMBER	SIZE	ETRTO	TPI	BEAD	WEIGHT	COMPOUND	MAX PSI	TECH
	TB35877000	20x2.50	67-387	25	Wire	1,085 g	Super Tacky	50	ST

MODULAR VALVE SYSTEM				
MVS STEMS	PART NUMBER	COLOR	VALVE TYPE	WEIGHT
	OT00110000	Black	Presta 48mm	3 g
	OT00111000	Gold	Presta 48mm	3 g
	OT00112000	Red	Presta 48mm	3 g
	OT00113000	Blue	Presta 48mm	3 g
	OT00114000	Charcoal	Presta 48mm	3 g
	OT00115000	Purple	Presta 48mm	3 g
	OT00116000	Silver	Presta 48mm	3 g
	OT00117000	Green	Presta 48mm	3 g
	OT00118000	Orange	Presta 48mm	3 g
	OT00119000	Black	Presta 60mm	4 g
	OT00120000	Gold	Presta 60mm	4 g
	OT00121000	Red	Presta 60mm	4 g
	OT00122000	Blue	Presta 60mm	4 g
	OT00123000	Charcoal	Presta 60mm	4 g
	OT00124000	Purple	Presta 60mm	4 g
	OT00125000	Silver	Presta 60mm	4 g
	OT00126000	Green	Presta 60mm	4 g
	OT00127000	Orange	Presta 60mm	4 g
	OT00128000	Black	Presta 80mm	5 g
	OT00129000	Gold	Presta 80mm	5 g
	OT00130000	Red	Presta 80mm	5 g
	OT00131000	Blue	Presta 80mm	5 g
	OT00132000	Charcoal	Presta 80mm	5 g
	OT00133000	Purple	Presta 80mm	5 g
	OT00134000	Silver	Presta 80mm	5 g
	OT00135000	Green	Presta 80mm	5 g
	OT00136000	Orange	Presta 80mm	5 g
	OT00137000	Black	Presta 100mm	6 g
	OT00138000	Gold	Presta 100mm	6 g
	OT00139000	Red	Presta 100mm	6 g
	OT00140000	Blue	Presta 100mm	6 g
	OT00141000	Charcoal	Presta 100mm	6 g
	OT00142000	Purple	Presta 100mm	6 g
	OT00143000	Silver	Presta 100mm	6 g
	OT00144000	Green	Presta 100mm	6 g
	OT00145000	Orange	Presta 100mm	6 g

MODULAR VALVE SYSTEM TUBES				
MVS FLYWEIGHT	PART NUMBER	SIZE	Valve Type	WEIGHT
	IB65002000	26x1.90/2.125	MVS Presta	93 g
	IB84002000	700x18/25C	MVS Presta	47 g
MVS ULTRALIGHT	PART NUMBER	SIZE	VALVE TYPE	WEIGHT
	IB65001000	26x1.90/2.125	MVS Presta	124 g
	IB84001000	700x18/25C	MVS Presta	64 g

INNER TUBES				
FLYWEIGHT	PART NUMBER	SIZE	VALVE TYPE	WEIGHT
	SIB6388400	26x1.90/2.125	Presta	95 g
	SIB6388700	26x1.90/2.125	Presta 48mm	96 g
	SIB6389000	26x1.90/2.125	Schrader	96 g
	SIB6988000	700x18/25C	Presta	50 g
	SIB6988600	700x18/25C	Presta 48mm	51 g
	SIB6987800	700x18/25C	Presta 60mm	52 g
ULTRALIGHT	PART NUMBER	SIZE	VALVE TYPE	WEIGHT
	IB25400000	20x1.50/1.75	Schrader	83 g
	IB24076000	20x1.50/1.75	Presta	82 g
	IB29520000	20x1.90/2.125	Schrader	96 g
	IB59764000	26x1.50/1.75	Presta	110 g
	IB60064000	26x1.50/1.75	Presta 48mm	111 g
	IB59777000	26x1.50/1.75	Schrader	111 g
	IB63829000	26x1.90/2.125	Presta	125 g
	IB63874000	26x1.90/2.125	Presta 48mm	126 g
	IB63810000	26x1.90/2.125	Schrader	126 g
<b>NEW</b>	IB75076100	27.5x1.9/2.35	Presta	144 g
<b>NEW</b>	IB75077100	27.5x1.9/2.35	Presta 48mm	145 g
	IB96823400	29x1.90/2.35	Presta	157 g
	IB51596000	650x18/25C	Presta 48mm	69 g
	IB69846000	700x18/25C	Presta	65 g
	IB69839000	700x18/25C	Presta 48mm	66 g
	IB69859000	700x18/25C	Presta 60mm	67 g
WELTERWEIGHT	PART NUMBER	SIZE	VALVE TYPE	WEIGHT
	IB14205000	16x1.90/2.125	Schrader	115 g
	IB29513000	20x1.90/2.125	Schrader	123 g
	IB22993000	20x11/4-13/8	Presta	108 g
	IB22992000	20x11/4-13/8	Schrader	109 g
	IB48713000	24x1.90/ 2.125	Presta	148 g
	IB48701000	24x1.90/2.125	Schrader	149 g
	IB51707000	26x1.0/1.25	Presta	86 g
	IB51709000	26x1.0/1.25	Presta 48mm	87 g
	IB60065100	26x1.50/1.75	Presta 48mm	141 g
	IB63464000	26x1.90/2.125	Presta	161 g
	IB63803200	26x1.90/2.125	Schrader	162 g
	IB63871000	26x1.90/2.125	Presta 48mm	162 g
	IB63464100	26x1.90/2.125	Presta 60mm	163 g
<b>NEW</b>	IB75078100	27.5x1.9/2.35	Presta	191g
<b>NEW</b>	IB75079100	27.5x1.9/2.35	Presta 48mm	192g
<b>NEW</b>	IB75080100	27.5x1.9/2.35	Schrader	192g
<b>NEW</b>	IB75097000	27.5x2.2/2.5	Presta	222g
<b>NEW</b>	IB75098000	27.5x2.2/2.5	Schrader	223g
	IB96823100	29x1.90/2.35	Presta	200 g
	IB96822500	29x1.90/2.35	Schrader	201 g

WELTERWEIGHT	PART NUMBER	SIZE	VALVE TYPE	WEIGHT
	IB96822800	29x1.90/2.35	Presta 48mm	201 g
	IB81557000	700x18/25, 27x7/8-1	Presta	83 g
	IB81555000	700x18/25, 27x7/8-1	Presta 48mm	84 g
	IB81556000	700x18/25, 27x7/8-1	Presta 60mm	85 g
	IB81558000	700x18/25, 27x7/8-1	Schrader	84 g
	IB94198000	700x35/45, 27x1 3/8-1 3/4	Presta	127 g
	IB94199000	700x35/45, 27x1 3/8-1 3/4	Schrader	128 g
FREERIDE	PART NUMBER	SIZE	VALVE TYPE	WEIGHT
	IB67445000	26x2.20/2.50	Schrader	295 g
	IB67447000	26x2.20/2.50	Presta	294 g
<b>NEW</b>	IB75102000	27.5x2.2/2.50	Schrader	317 g
<b>NEW</b>	IB75105000	27.5x2.2/2.50	Presta	316 g
<b>NEW</b>	IB75109000	27.5x2.2/2.50	Presta 48mm	317 g
DOWNHILL	PART NUMBER	SIZE	VALVE TYPE	WEIGHT
	IB49960000	24x2.50/2.70	Presta	422 g
	IB49963000	24x2.50/2.70	Schrader	423 g
	IB68560000	26x2.50/2.70	Presta	449 g
	IB68566000	26x2.50/2.70	Schrader	450 g



PHOTO: DEVICH



PHOTO: WEAVER



[maxxis.com](http://maxxis.com)