

2026 Bicycle Catalog

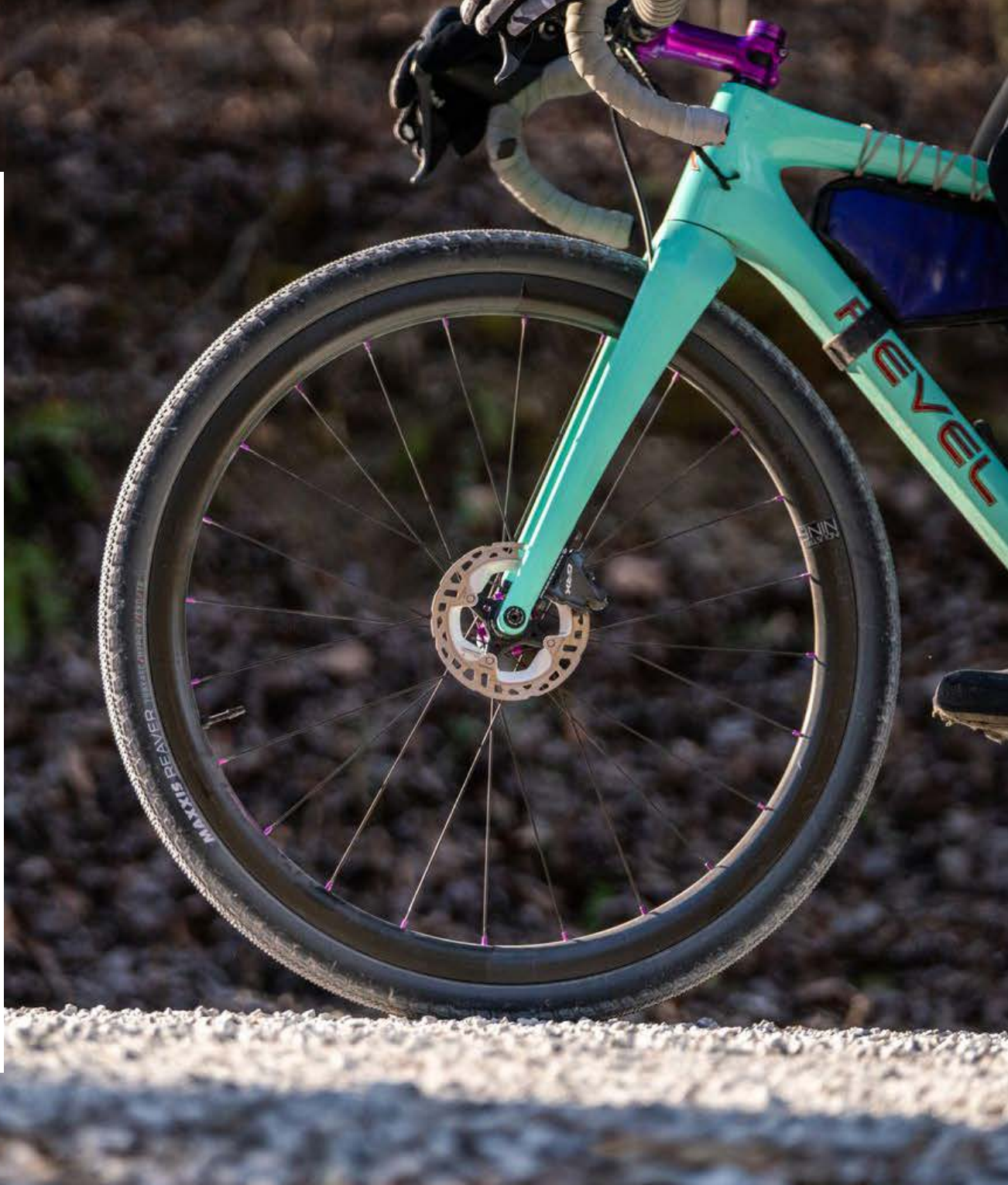


At Maxxis, we strive to provide the highest quality products and service with the goal of creating lifelong Maxxis customers.

From design to production, from the factory floor to your favorite road or trail, Maxxis products lead the way in technological advances. For bicycle, automotive, light truck, ATV, motorcycle, kart, trailer and lawn & garden, Maxxis provides the quality customers have come to depend on.

Total customer satisfaction has been Maxxis' guiding purpose since 1967. Working toward this goal has built Maxxis into the successful, worldwide company it is today. Champions around the world choose Maxxis because they know that our extensive product research, unique designs and rigorous testing standards produce tires that elevate riders to the next level.

For more information on the entire Maxxis product line, visit us at **maxxis.com**.





Maxxis makes every effort to ensure the accuracy of the information we publish. Maxxis is not responsible for errors or misprints in our materials. Specifications and item availability are subject to change without notice. Actual weights and measurements may vary from those published herein. Weights are listed in grams. ©2025 Maxxis International. All rights reserved.

Contents

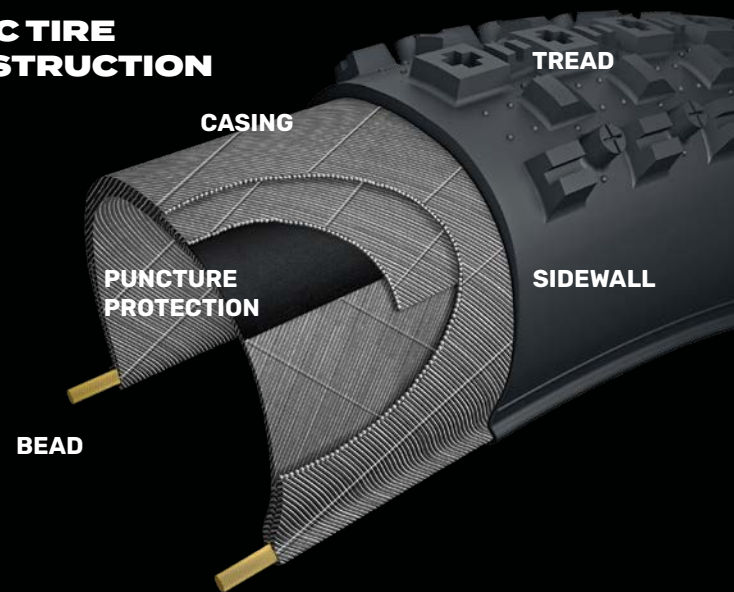
CONSTRUCTION	5	SUPER TACKY	9	MOUNTAIN	17
CONSTRUCTION DIAGRAMS	5	HYPR & HYPR-S	9	REKON RACE	18
TIRE BEAD	6	4 SEASON &	9	ASPEN	18
WIRE BEAD	6	4 SEASON-HIGH MILEAGE		IKON	18
FOLDABLE BEAD	6	MAXXSPEED	9	REKON	20
CARBON FIBER BEAD	6	TRIPLE COMPOUND (3C)	9	FOREKASTER	20
CASING	6	3C MAXXSPEED	9	AGGRESSOR	21
SINGLE-PLY CASING	6	3C MAXXTERRA	9	DISSECTOR	21
DUAL-PLY CASING	6	3C MAXXGRIP	9	MINION DHF	21
THREADS PER INCH (TPI)	6	SUSTAINABILITY	10	MINION DHR II	21
WIDE TRAIL CONSTRUCTION	6	ROAD	11	ASSEGAI	23
RECOMMENDED RIM	6	RE-FUSE	12	HIGH ROLLER	23
WIDTH TO TIRE SIZE		PURSUER	12	SHORTY	23
TUBELESS READY	6	HIGH ROAD	12	BMX/TRIALS	25
TUBULAR	6	HIGH ROAD SL	12	DTH	26
PROTECTION	7	GRAVEL	13	GRIFTER	26
SILKWORM	7	RECEPTOR	14	TORCH	26
K2	7	REAYER	14	HOOKWORM	26
SILKSHIELD	7	RAMBLER	14	TECH CHEAT SHEET	28
MAXXSHIELD	7	RAVAGER	14	SPEC TABLES	29-52
MAXXPROTECT	7	COMMUTER/CARGO	15	TUBES	53-54
BUTYL INSERT	7	METROPASS/	15	FLYWEIGHT	53
EXO	8	METROPASS PRO		ULTRALIGHT	53-54
EXO+	8	METROPASS AT	15	WELTERWEIGHT	54
DOUBLEDOWN	8	MAXXVENTURE	16	FREERIDE	54
DOWNHILL	8	MAXXVENTURE MT	16	DOWNHILL	54
RUBBER COMPOUNDS	9	METROLOADS/	16	FAT/PLUS	54
SINGLE COMPOUND	9	METROLOADS PRO		TIRE SAFETY	55
DUAL COMPOUND	9	POLAR	16		



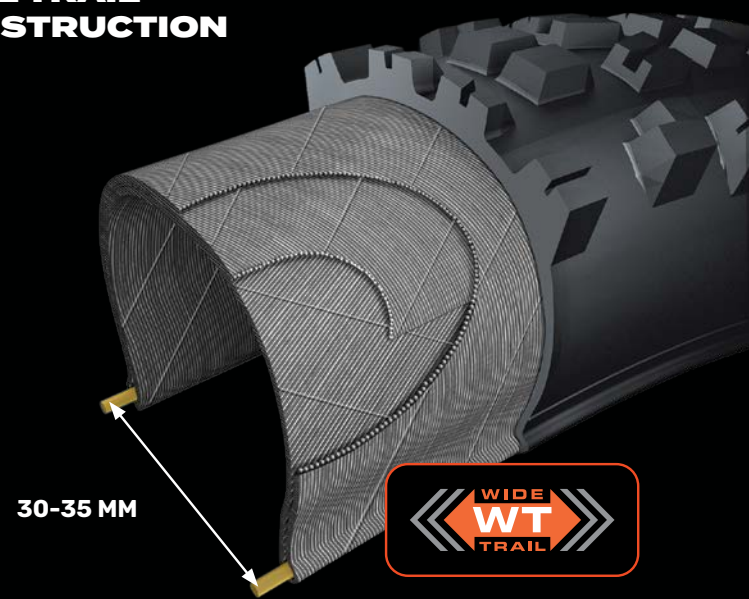
UCI
MOUNTAIN BIKE
WORLD SERIES



BASIC TIRE CONSTRUCTION



WIDE TRAIL CONSTRUCTION



TIRE BEAD

The bead provides structure to the carcass and keeps the tire in contact with the rim while the tire is inflated.

WIRE BEAD

A rigid metal wire is utilized as bead material in high-load applications where ultimate strength and durability are needed.

FOLDABLE BEAD

Foldable (or folding) beads also keep the tire secured to the rim but are lighter weight and easily transported. The bead is made of spun aramid fibers.

CARBON FIBER BEAD

A folding bead made from a carbon fiber material with greater strength to withstand the forces exerted by a high-pressure road tire.

CASING

SINGLE-PLY CASING

One layer of nylon casing material is wrapped from bead to bead. A single-ply casing conforms well to the terrain and is light weight.

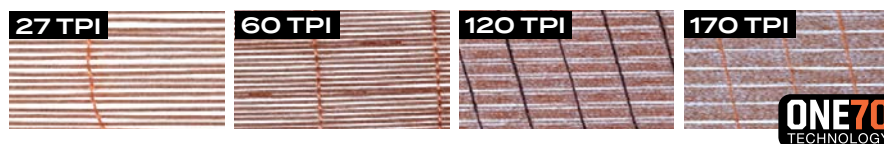
DUAL-PLY CASING

Two layers of casing material are used from bead to bead, providing additional protection and sidewall stiffness for enduro (DoubleDown), downhill, and cargo applications.

TPI - THREADS PER INCH

TPI, or threads per inch, measures the number of threads that cross through one square inch of a tire's casing. A casing with a lower TPI number gives better puncture, cut and abrasion resistance but is relatively heavier. A casing with a higher TPI number conforms better to the terrain, offering a smoother, more comfortable ride at a lighter weight.

A majority of tires use either a 60 or 120 TPI casing, but Maxxis offers 27, 60, 120, 150 and 170 TPI options depending on the application. Maxxis TPI ratings are based on a single layer of casing material.



WIDE TRAIL

Wide Trail (WT) construction optimizes the tread layout and knob profile to match modern rim widths. A 30mm internal width rim is ideal for most riding applications, but WT tires can be used on rims ranging from 19mm to 35mm internal.

RECOMMENDED RIM WIDTH TO TIRE SIZE

Pairing your preferred tire width with the appropriate rim width will allow for optimal performance. To assist in this process, Maxxis provides recommended minimum and maximum rim widths in the specification tables in the back of the catalog.

INTENDED USE	TIRE WIDTH	INNER RIM WIDTH
XC RACING	2.00"-2.20" tire	20-25mm
LIGHT TRAIL	2.20"-2.40"	25-30mm
AM/ENDURO	2.30"-2.50" 2.60"	28-35mm 35-40mm
PLUS	2.80"-3.00"	40-45mm
FAT	3.80"-4.00" 4.80"	70-80mm 90-100mm

TUBELESS READY

Tubeless tires provide the rider with many benefits: the ability to run lower air pressures, which improves traction; lower rolling resistance when compared to a tube-type tire; and less chance of flatting because there is no tube. Liquid sealants should only be used in tires designed specifically for tubeless use. The use of liquid sealants in any other Maxxis tire is not recommended and will void the warranty.

TUBULAR

A traditional tire construction in which the tire casing is sewn or wrapped around an inner tube. These types of tires must be glued or taped onto tubular-specific rims.

PROTECTION

Casings are supplemented with additional puncture protection layers to suit specific riding disciplines. Material can be added around the bead, in the sidewall, beneath the tread, extended from bead to bead or some combination thereof.



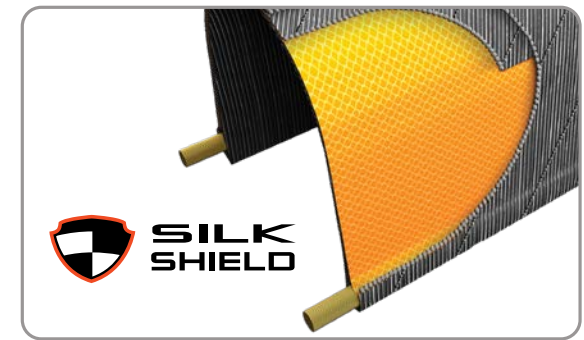
SILKWORM

An under-tread puncture protection layer suitable for everyday use.



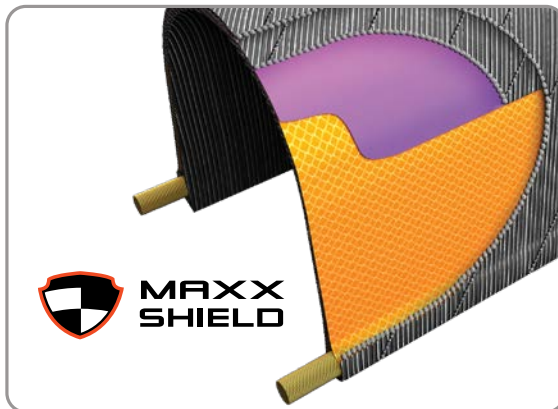
K2

A lightweight and supple under-tread puncture protection layer suitable for high performance applications.



SILKSHIELD

A version of our Silkworm material that extends from bead to bead.



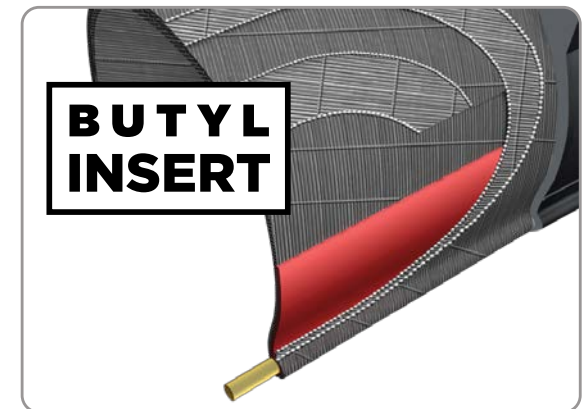
MAXXSHIELD

A combination of SilkShield bead to bead and K2 under-tread puncture protections which creates an extremely durable tire.



MAXXPROTECT

A 3mm thick piece of rubber that is placed under the tread area to improve puncture resistance.



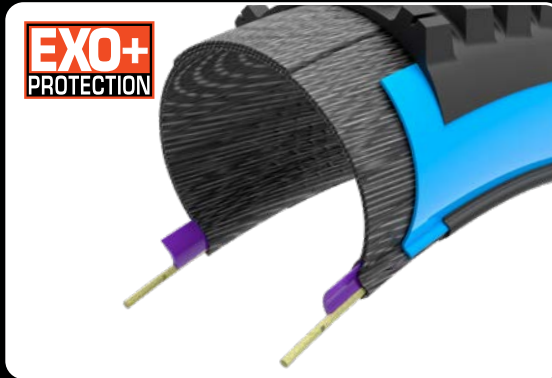
BUTYL INSERT

A rubber material added around the bead and sidewall to ward off pinch flats, prevent rim damage, and increase sidewall stability under load.



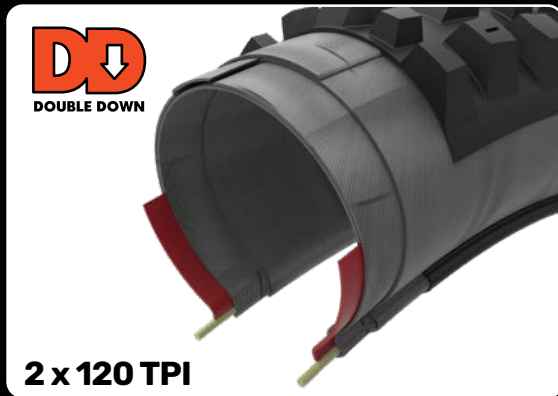
EXO

A cut and abrasion-resistant material added to the sidewalls of many of our gravel and MTB tires. Suitable for use in a wide range of riding applications from gravel to XC to light trail duty.



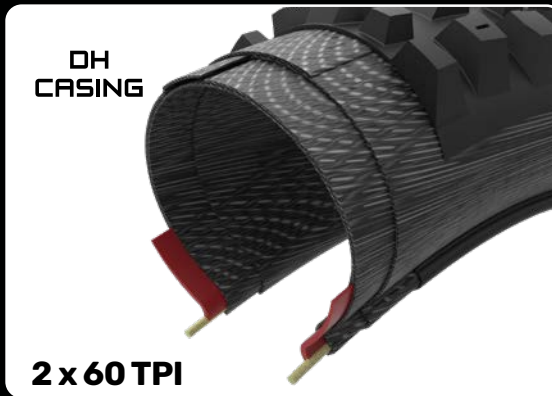
EXO+

EXO+ combines sidewall protection with a small butyl insert to improve durability and stability compared to EXO. Recommended for heavy duty trail and all-mountain use.



DOUBLEDOWN

DoubleDown (DD) is Maxxis' solution for the demands of enduro racing. Two layers of 120 TPI casing are reinforced with a medium butyl insert to provide high levels of support and protection in a compliant package. DoubleDown specs are also a great choice for most e-mountain bikes.



DOWNHILL

Maxxis' Downhill (DH) casing consists of two layers of 60 TPI casing combined with a large butyl insert, resulting in the most durable construction on offer. Choose the DH casing for gravity riding applications (downhill racing, bike park riding, freeride, etc.) or anywhere maximum durability and support are required.



RUBBER COMPOUNDS

Above all, Maxxis is known for the quality and performance of its rubber compounds. Rubber compounds are tailored to meet the needs of specific riding disciplines or conditions. Maxxis can produce tires with one, two or three individual rubber compounds depending on the intended application.

SINGLE COMPOUND

One rubber compound is used throughout the tread of the tire.

DUAL COMPOUND

Two distinct rubber compounds are used within the tread to offer a balance between rolling resistance and grip.



SUPER TACKY

Maxxis' slow-rebounding, high-traction compound for slippery downhill race conditions.



HYPR & HYPR-S

Maxxis' full-silica, low rolling resistance compounds developed specifically for road bike racing.

4 SEASON & 4 SEASON-HIGH MILEAGE

Our 4 Season compound offers bicycle commuters reliable traction no matter the weather or temperature. A 4 Season-High Mileage variant is available for extra durability under high loads.



MAXXSPEED

MaxxSpeed (2023) is our top-shelf rubber compound for XC racing. It's a high-silica content compound which reduces rolling resistance while also enhancing wet traction.

TRIPLE COMPOUND (3C)

Maxxis' 3C tires use a firm base rubber to reduce rolling resistance and progressively softer rubber on outer layers to optimize traction.



3C MAXXSPEED

A fast-rolling formulation of our triple compound, best for XC racing applications. Note this compound is being phased out and replaced by MaxxSpeed



3C MAXXTERRA

An intermediate triple compound suitable for all-around trail riding in primarily dry conditions.



3C MAXXGRIP

A high-traction, slow-rebounding compound intended for gravity focused applications such as enduro and downhill.

RECYCLE RETHINK

THE MAXXIS ECO COMMITMENT

As a responsible corporate citizen, Maxxis works to fulfill its obligation to protect our environment and sustain and nurture Earth's natural resources. Throughout the R&D, testing, manufacturing and distribution of its products, Maxxis uses processes that avoid harm and reduce waste to the greatest extent possible.

Seawastex

Seawastex, an innovative initiative focused on sustainability, has garnered attention for its transformative approach to recycling fishing nets. In a groundbreaking partnership, Maxxis Tires has joined forces with Seawastex to incorporate recycled fishing nets into the production of bicycle tires. This collaboration not only underscores the commitment to environmental responsibility but also showcases the potential of repurposing marine waste for creating high-quality products.

Maxxis' use of Seawastex exemplifies the company's commitment to sustainability. As opposed to traditional materials, production of Seawastex results in a 49% reduction in carbon emissions and a savings of 15% in energy consumption. This cord, comprised of discarded fishing net salvaged from the world's oceans, will soon be used in all Maxxis 60 TPI and 60 TPI + EXO bicycle tires.



SEAWASTEX

Sustainable Rubber

Because the tire industry uses more natural rubber than any other industry in the world, the conservation, responsible use and disposal of this resource is central to Maxxis' sustainability efforts. Maxxis has been a member of GPSNR (Global Platform for Sustainable Natural Rubber) since 2021. This organization, made up of companies, smallholders, academia and civil society, works to make the natural rubber supply chain sustainable, equitable and fair.

Road



RE-FUSE

NEW SPECS

INTENDED USE:	ENDURANCE	TRAINING	ALL-AROUND	RACE
---------------	------------------	----------	------------	------

Durable doesn't have to be slow! The Re-Fuse features a revised tread pattern, a new compound, and updated puncture protection to create a faster, lighter, and even more durable tire.

- M227
- Slick center with micro knobs for cornering control
- Full-silica, all-season rubber compound
- MaxxShield bead to bead puncture protection

PURSUER

NEW SPECS

INTENDED USE:	ENDURANCE	TRAINING	ALL-AROUND	RACE
---------------	-----------	-----------------	------------	------

The Pursuer is a sport-level clincher, perfect for riders who want solid performance and durability without breaking the bank.

- M225
- Sport-level tire
- High-mileage rubber compound
- Tan wall available

HIGH ROAD

NEW TIRE

INTENDED USE:	ENDURANCE	TRAINING	ALL-AROUND	RACE
---------------	-----------	----------	-------------------	------

Maxxis' all-purpose road race tire, is refreshed with a faster 150 TPI casing, upgraded puncture protection and a revised look.

- M230
- Pro-level competition tire
- HYPR rubber compound
- K2 under tread puncture protection

HIGH ROAD SL

NEW TIRE

INTENDED USE:	ENDURANCE	TRAINING	ALL-AROUND	RACE
---------------	-----------	----------	------------	-------------

An ultralight construction paired with our fastest HYPR-S rubber make the High Road SL the choice for chasing all out speed. Weights start at just 175g for 700 x 25 or 250g for tubeless ready.

- M229
- Recommended for race use only
- HYPR-S rubber compound
- K2 under tread puncture protection

Gravel



RECEPTOR



NEW SPECS

HARDPACK	LOOSE/HARD	MEDIUM	LOOSE	WET	MUD
----------	------------	--------	-------	-----	-----

The Maxxis Receptor is a semi-slick gravel tire designed for riding on pavement, hard-packed dirt roads and light gravel.

- M2027
- Semi-slick gravel tire
- 80% on-road / 20% off-road

REAYER



NEW SPECS

HARDPACK	LOOSE/HARD	MEDIUM	LOOSE	WET	MUD
----------	------------	--------	-------	-----	-----

The Maxxis Reaver is our "go to" tire for gravel racing. Its diamond knurling center tread is low and fast but meaty side knobs provide consistent cornering traction. Choose the Reaver when off-road speed is priority number one.

- M2031
- Gravel racing tire
- 50% on-road / 50% off-road

RAMBLER



NEW SPECS

HARDPACK	LOOSE/HARD	MEDIUM	LOOSE	WET	MUD
----------	------------	--------	-------	-----	-----

With tightly-packed center knobs and ample side knobs, the Maxxis Rambler is our do-it-all gravel tire suitable for a wide range of riding and racing applications.

- M2018
- Do-it-all gravel tire
- 40% on-road / 60% off-road

RAVAGER



HARDPACK	LOOSE/HARD	MEDIUM	LOOSE	WET	MUD
----------	------------	--------	-------	-----	-----

When road conditions are unknown, choose the Maxxis Ravager. Large side knobs provide extra traction in deep, loose gravel and mud.

- M2020
- Aggressive tread for loose, chunky gravel
- 20% on-road / 80% off-road

Commuter/Cargo

METROPASS/METROPASS PRO



COMMUTER

The Maxxis Metropass and Metropass Pro are designed for bicycle commuters in urban areas who demand a durable and reliable tire. Features include our 4-Season rubber compound, reflective sidewall stripe, and extra thick MaxxProtect tread extrusion for trouble-free commuting year-round.

- M2028
- Metropass Pro uses a dual-ply casing for maximum durability
- E50 e-bike certification

METROPASS AT



COMMUTER

The Metropass AT (all-terrain) is a versatile option for today's SUV e-bikes. A densely-packed center tread pattern rolls fast on paved surfaces while large side knobs provide traction on gravel and in other off-road scenarios.

- M364
- Metropass Pro uses a dual-ply casing for maximum durability
- E50 e-bike certification



MAXXVENTURE

NEW TREAD

E-MOPED

New to the Maxxis line is the Maxxventure designed for e-mopeds using the 20" fat tire standard. The grooved slick design is intended primarily for street use but is able to handle the occasional unpaved detour.

- M156
- Adventure motorcycle inspired tread design
- E50 e-bike certification

MAXXVENTURE MT

NEW TREAD

E-MOPED

The Maxxventure MT is an aggressive tread pattern designed for e-mopeds using the 20" fat tire standard. Its tall and widely spaced lugs find traction in loose or soft conditions.

- M157
- Dual sport motorcycle inspired tread design
- E50 e-bike certification

METROLOADS/METROLOADS PRO**CARGO**

The Metroloads family of tires is Maxxis' solution for cargo bike use. A heavy duty casing, extra thick MaxxProtect insert, 4-Season rubber compound, and reflective sidewall stripe ensure safe transport of heavy loads year-round.

- M2029
- Metroloads Pro uses a dual-ply casing and High Mileage rubber compound
- E50 e-bike certification

POLAR

NEW TREAD

COMMUTER

Studded tire.

- M2033
- Studdable tire for use in icy conditions

Mountain



REKON RACE



NEW SPECS

HARDBACK	LOOSE/HARD	MEDIUM	LOOSE	WET	MUD
----------	------------	--------	-------	-----	-----

Featuring the lowest tread height in the Maxxis XC line, the Rekon Race sports a semi-slick tread design perfect for riding and racing in primarily dry, hard packed conditions.

- M355
- Semi-slick XC race tire
- Recommended for primarily dry XC terrain

ASPEN



NEW SPECS

HARDBACK	LOOSE/HARD	MEDIUM	LOOSE	WET	MUD
----------	------------	--------	-------	-----	-----

The Aspen's combination of low rolling resistance and predictable cornering make it the go-to option for Maxxis' pro XC athletes on race day.

- M316
- Low-profile XC race tire
- Our most popular XC race option

IKON



NEW SPECS

HARDBACK	LOOSE/HARD	MEDIUM	LOOSE	WET	MUD
----------	------------	--------	-------	-----	-----

The Maxxis Ikon is a versatile XC tire designed to perform in a broad range of trail conditions. With predictable handling and low weight, the 26" Ikon is also a favorite of our slopestyle athletes.

- M319
- A highly versatile XC tread
- Suitable for dry to intermediate conditions





REKON



NEW SPECS

HARDBACK	LOOSE/HARD	MEDIUM	LOOSE	WET	MUD
----------	------------	--------	-------	-----	-----

For general purpose trail riding, it's hard to top the Rekon. The Rekon finds the "Goldilocks" blend of rolling speed, braking traction and cornering control.

- M349
- Light-duty trail tire
- Well-balanced performance across trail conditions

FOREKASTER



NEW SPECS

HARDBACK	LOOSE/HARD	MEDIUM	LOOSE	WET	MUD
----------	------------	--------	-------	-----	-----

Redesigned from the ground up in 2022, the Forekaster is tailor-made for mid-travel (120mm-140mm) trail bikes. Slotting in between our XC and gravity treads, the Forekaster is light, fast and grippy.

- M362
- Optimal for modern, mid-travel trail bikes
- Excels in trail conditions from dry to soft and loose



AGGRESSOR



HARDBACK	LOOSE/HARD	MEDIUM	LOOSE	WET	MUD
----------	------------	--------	-------	-----	-----

The Maxxis Aggressor is designed for high-speed, hard-packed rocky trails. It works especially well as a rear tire paired with a Minion DHF or Assegai in the front.

- M343
- Primarily intended for rear wheel use
- A favorite of riders in dry, rocky terrain

DISSECTOR



HARDBACK	LOOSE/HARD	MEDIUM	LOOSE	WET	MUD
----------	------------	--------	-------	-----	-----

Designed by DH racer Troy Brosnan, the Dissector minimizes drag while retaining cornering control. This versatile tire can be used front or rear or as a pair depending on conditions.

- M357
- Troy Brosnan's signature model
- Excellent penetration in loose conditions

MINION DHF



NEW SPECS

HARDBACK	LOOSE/HARD	MEDIUM	LOOSE	WET	MUD
----------	------------	--------	-------	-----	-----

The legendary Minion DHF is known for its combination of rolling speed and consistent handling. With numerous configurations available, there's a DHF to cover trail, enduro, and downhill bikes.

- M301
- The gold standard of gravity focused treads
- Intended for front wheel use

MINION DHR II



NEW SPECS

HARDBACK	LOOSE/HARD	MEDIUM	LOOSE	WET	MUD
----------	------------	--------	-------	-----	-----

With side knobs borrowed from the legendary Minion DHF, but widened to provide more support, the Minion DHR II offers excellent cornering and braking traction.

- M327
- Excellent braking and cornering traction in steep terrain
- Intended for rear wheel use, but also popular as a front tire



ASSEGAI



NEW SPECS

HARDBACK	LOOSE/HARD	MEDIUM	LOOSE	WET	MUD
----------	------------	--------	-------	-----	-----

Greg Minnaar's signature tire – the Maxxis Assegai – provides tenacious, predictable grip across the entire profile no matter the lean angle.

- M356
- Supreme braking and cornering traction
- A top choice for all gravity applications

HIGH ROLLER



NEW TIRE

HARDBACK	LOOSE/HARD	MEDIUM	LOOSE	WET	MUD
----------	------------	--------	-------	-----	-----

The High Roller is back with an all-new third generation! Our best racers told us they needed a tire for the mixed conditions of modern tracks. The new tread features an open design for excellent soil penetration in loose conditions and well-supported side knobs for confidence and predictability in firm terrain.

- M363
- Excellent traction in steep, loose conditions
- Stability and predictability in firm terrain

SHORTY



HARDBACK	LOOSE/HARD	MEDIUM	LOOSE	WET	MUD
----------	------------	--------	-------	-----	-----

The Maxxis Shorty uses a versatile mid-spike tread pattern designed to sink into soft or loose soil to find traction.

- M359
- Mid-spike for deep dust or wet trail conditions
- A great shoulder season option





BMX/Trials



DTH



The grooved slick design of the Maxxis DTH (Drop the Hammer) is suited to a variety of BMX, dirt jumping and pump track situations.

- M147
- Grooved slick for BMX and dirt jumping
- 20", 24", and 26" sizes available

GRIFTER



The Maxxis Grifter is a lightweight, high-volume casing BMX tire designed for freestyle riding.

- M148
- Freestyle BMX tire
- 20" and 29" sizes available

TORCH



Light up the track and your competition with the Torch. The Maxxis Torch is designed specifically for racing on today's paved BMX tracks.

- M149
- Lightweight construction for BMX racing
- 20", 24", and 29" sizes available

HOOKWORM



A unique wraparound tread pattern and sturdy construction allow the Maxxis Hookworm to stand up to the abuse of urban environments.

- M121
- Ultra-durable BMX tire
- 20", 24", 26", 27.5", and 29" sizes available

DOWNHILL
WORLD CUP

WHOOOP

UCI
MOUNTAIN BIKE
WORLD SERIES

SALZBURGER
LAND

saalbach
HINTERGLEMM - LEOGANG - FISCHL

LEOGANG



events.com

SHIMANO

events.com

SHIMANO

events.com

events.com

SHIMANO

WHOOOP

WHOOOP

WHOOOP

WHOOOP

WHOOOP

WHOOOP

WHOOOP

WHOOOP



KÄRCHER

MOTUL



KÄRCHER

MOTUL



KÄRCHER

TBWORLD SERIES.COM

UCI_MTBWORLD SERIES

WHOOOP

#UCI_MTBWORLD SERIES

#MTB WORLD SERIES



events.com

SHIMANO

events.com

SHIMANO

events.com

events.com

SHIMANO

WHOOOP

WHOOOP

WHOOOP

WHOOOP

WHOOOP

WHOOOP

WHOOOP

WHOOOP

WHOOOP

WHOOOP

WHOOOP

WHOOOP

WHOOOP

WHOOOP

WHOOOP

WHOOOP



Red Bull



Tech Cheat Sheet

ROAD TECH

NAME	DEFINITION
HYPR	Full silica road racing compound.
HYPR-S	Lowest rolling resistance road racing compound.
K2	Under tread puncture protection.
MaxxShield	Bead-to-bead plus under tread puncture protection.
ONE70	Lightweight 170 TPI casing.
TR	Tubeless ready casing.

GRAVEL TECH

NAME	DEFINITION
EXO	Sidewall puncture protection.
SilkShield	Bead-to-bead puncture protection.
TR	Tubeless ready casing.

COMMUTER/CARGO TECH

NAME	DEFINITION
4 Season	All-weather, all-season rubber compound.
4 Season/ High Mileage	Extra durable all-season rubber compound.
EXO	Sidewall puncture protection.
REF	Reflective sidewall stripe.
RI	Rubber Inside: extra 3mm layer of rubber for puncture protection.

MOUNTAIN TECH

NAME	DEFINITION
MS	MaxxSpeed rubber compound for XC use, updated in 2023.
3CS	Triple rubber compound MaxxSpeed for XC use.
3CT	Triple rubber compound MaxxTerra for general trail use.
3CG	Triple rubber compound MaxxGrip for enduro/downhill use.
ST	Slow rebounding Super Tacky rubber compound.
EXO	Sidewall puncture protection.
EXO+	Middlweight casing with sidewall protection plus a small butyl insert.
DD	DoubleDown casing for enduro use.
DH	Downhill casing.
BikePark	Downhill casing with long tread wear rubber compound.
REF	Reflective sidewall stripe.
SilkShield	Bead-to-bead puncture protection.
TR	Tubeless ready casing.
E25	Suitable for light duty e-bike use.
E50	Suitable for heavy duty e-bike use.

BMX TECH

NAME	DEFINITION
EXO	Sidewall puncture protection.
Silkworm	Under tread puncture protection.
ST	Slow rebounding Super Tacky rubber compound.

ROAD

	TREAD	MOLD #	PART #	SIZE	ETRTO	INNER RIM WIDTH (mm)	TPI	BEAD	WEIGHT (g)	COMPOUND	CASING\ PROTECTION	TUBE- LESS	MAX PSI	COLOR
NEW	HIGH ROAD	M230	ETB00561800	700X25C	25-622	13-22	150	Folding	191	HYPR	K2	N	120	Black
NEW	HIGH ROAD	M230	ETB00658500	700X25C	25-622	13-22	150	Folding	221	HYPR	K2	N	120	Tanwall
NEW	HIGH ROAD	M230RU	ETB00547200	700X25C	25-622	13-22	150	Carbon	284	HYPR	K2	Y	110	Black
NEW	HIGH ROAD	M230RU	ETB00658700	700X25C	25-622	13-22	150	Carbon	314	HYPR	K2	Y	110	Tanwall
NEW	HIGH ROAD	M230	ETB00561900	700X28C	28-622	15-23	150	Folding	220	HYPR	K2	N	115	Black
NEW	HIGH ROAD	M230	ETB00658600	700X28C	28-622	15-23	150	Folding	246	HYPR	K2	N	115	Tanwall
NEW	HIGH ROAD	M230RU	ETB00547300	700X28C	28-622	15-23	150	Carbon	328	HYPR	K2	Y	95	Black
NEW	HIGH ROAD	M230RU	ETB00658800	700X28C	28-622	15-23	150	Carbon	358	HYPR	K2	Y	95	Tanwall
NEW	HIGH ROAD	M230	ETB00583800	700X30C	30-622	16-25	150	Folding	235	HYPR	K2	N	90	Black
NEW	HIGH ROAD	M230RU	ETB00583700	700X30C	30-622	16-25	150	Carbon	338	HYPR	K2	Y	80	Black
NEW	HIGH ROAD	M230	ETB00562000	700X32C	32-622	15-23	150	Folding	244	HYPR	K2	Y	90	Black
NEW	HIGH ROAD SL	M229	ETB00555300	700X25C	25-622	13-22	150	Folding	182	HYPR-S	K2	N	120	Black
NEW	HIGH ROAD SL	M229RU	ETB00558400	700X25C	25-622	13-22	150	Carbon	274	HYPR-S	K2	Y	110	Black
NEW	HIGH ROAD SL	M229	ETB00555400	700X28C	28-622	15-23	150	Folding	197	HYPR-S	K2	N	115	Black
NEW	HIGH ROAD SL	M229RU	ETB00558500	700X28C	28-622	15-23	150	Carbon	320	HYPR-S	K2	Y	95	Black
NEW	HIGH ROAD SL	M229	ETB00670100	700X30C	30-622	15-23	150	Folding	210	HYPR-S	K2	Y	90	Black

Wire Bead Specs

	PURSUER	M225N	ETB00568300	700x25C	25-622	13-22	60	Wire	342	Single	-	N	120	Black
	PURSUER	M225N	ETB00568400	700x25C	25-622	13-22	60	Wire	372	Single	EXO	N	120	Tanwall
	PURSUER	M225N	ETB00568500	700X28C	28-622	15-23	60	Wire	357	Single	-	N	115	Black
	PURSUER	M225N	ETB00568600	700X28C	28-622	15-23	60	Wire	387	Single	EXO	N	115	Tanwall
NEW	PURSUER	M225N	ETB00645600	700X30C	30-622	15-23	60	Wire	416	Single	-	N	90	Black
	PURSUER	M225P	ETB00559500	700X32C	32-622	16-25	60	Wire	417	Single	-	N	100	Black

Folding Bead Specs

	PURSUER	M225N	ETB00647500	700X23C	23-622	13-20	60	Folding	240	Single	-	N	130	Black
	PURSUER	M225N	ETB00646100	700X25C	25-622	13-22	60	Folding	255	Single	-	N	120	Black
	PURSUER	M225N	ETB00645900	700X25C	25-622	13-22	60	Folding	287	Single	-	N	120	Tanwall

ROAD

NEW

TREAD	MOLD #	PART #	SIZE	ETRTO	INNER RIM WIDTH (mm)	TPI	BEAD	WEIGHT (g)	COMPOUND	CASING\ PROTECTION	TUBE- LESS	MAX PSI	COLOR
PURSUER	M225N	ETB00646000	700X28C	28-622	15-23	60	Folding	273	Single	-	N	115	Black
PURSUER	M225N	ETB00647400	700X28C	28-622	15-23	60	Folding	311	Single	-	N	115	Tanwall
PURSUER	M225N	ETB00646200	700X30C	30-622	16-25	60	Folding	286	Single	-	N	90	Black
PURSUER	M225P	ETB00646300	700X32C	32-622	16-25	60	Folding	360	Single	-	N	100	Black
RE-FUSE	M200RU	ETB88896000	700X32C	32-622	16-25	60	Carbon	441	Single	MaxxShield	Y	75	Black
RE-FUSE	M200RU	ETB00334700	700X32C	32-622	16-25	60	Carbon	402	Single	MaxxShield	Y	75	Tanwall
RE-FUSE	M227	ETB00465900	700X25C	25-622	13-22	60	Folding	281	Single	MaxxShield	N	120	Black
RE-FUSE	M227	ETB00466500	700X28C	28-622	15-23	60	Folding	307	Single	MaxxShield	N	115	Black
RE-FUSE	M227	ETB00466600	700X32C	32-622	16-25	60	Folding	359	Single	MaxxShield	N	100	Black
RE-FUSE	M227RU	ETB00583400	700X40C	40-622	17-27	60	Folding	562	Single	MaxxShield	Y	60	Black

NEW

GRAVEL

NEW

NEW

NEW

TREAD	MOLD #	PART #	SIZE	ETRTO	INNER RIM WIDTH (mm)	TPI	BEAD	WEIGHT (g)	COMPOUND	CASING\ PROTECTION	TUBE- LESS	MAX PSI	COLOR
ALL TERRANE	M219RU	ETB88994100	700X33C	33-622	16-25	120	Carbon	389	Dual	EXO	Y	75	Black
Wire Bead Specs													
RAMBLER	M2018P	ETB00435400	650X47B	47-584	17-30	60	Wire	665	Dual	EXO	N	75	Black
RAMBLER	M2018P	ETB00435200	700X40C	40-622	17-27	60	Wire	566	Dual	EXO	N	75	Black
RAMBLER	M2018P	ETB00559400	700X40C	40-622	17-27	60	Wire	540	Single	EXO	N	75	Tanwall
RAMBLER	M2018P	ETB00435300	700X45C	45-622	17-27	60	Wire	678	Dual	EXO	N	75	Black
RAMBLER	M2018P	ETB00469300	700X45C	45-622	17-27	60	Wire	692	Single	EXO	N	75	Tanwall
RAMBLER	M2018P	ETB00673000	700X50C	50-622	17-27	60	Wire	762	Dual	EXO	N	65	Black
Folding Bead Specs													
RAMBLER	M2018RU	ETB00172100	650X47B	47-584	17-30	60	Folding	613	Dual	SilkShield	Y	60	Black
RAMBLER	M2018RU	ETB00172000	650X47B	47-584	17-30	120	Folding	556	Dual	EXO	Y	60	Black
RAMBLER	M2018RU	ETB00386100	650X47B	47-584	17-30	60	Folding	570	Dual	EXO	Y	60	Tanwall
RAMBLER	M2018RU	ETB00200800	700X38C	38-622	17-27	60	Folding	473	Dual	SilkShield	Y	60	Black

GRAVEL

TREAD	MOLD #	PART #	SIZE	ETRTO	INNER RIM WIDTH (mm)	TPI	BEAD	WEIGHT (g)	COMPOUND	CASING\ PROTECTION	TUBE- LESS	MAX PSI	COLOR
RAMBLER	M2018RU	ETB00200700	700X38C	38-622	17-27	120	Folding	422	Dual	EXO	Y	60	Black
RAMBLER	M2018RU	ETB00333800	700X38C	38-622	17-27	60	Folding	439	Dual	EXO	Y	60	Tanwall
RAMBLER	M2018RU	ETB00200500	700X40C	40-622	17-27	60	Folding	525	Dual	SilkShield	Y	60	Black
RAMBLER	M2018RU	ETB00143100	700X45C	45-622	17-27	60	Folding	606	Dual	SilkShield	Y	60	Black
RAMBLER	M2018RU	ETB00172700	700X50C	50-622	17-30	60	Folding	724	Dual	SilkShield	Y	60	Black
RAMBLER	M2018RU	ETB00172600	700X50C	50-622	17-30	120	Folding	656	Dual	EXO	Y	60	Black
RAMBLER	M2018RU	ETB00417600	700X50C	50-622	17-30	60	Folding	679	Dual	EXO	Y	50	Tanwall
NEW	RAMBLER	M2018RU	ETB00540600	700X40C	40-622	120	Folding	497	HYPR-X	EXO	Y	60	Black
NEW	RAMBLER	M2018RU	ETB00649800	700X40C	40-622	120	Folding	485	HYPR-X	EXO	Y	60	Tanwall
NEW	RAMBLER	M2018RU	ETB00577200	700X45C	45-622	120	Folding	556	HYPR-X	EXO	Y	60	Black
NEW	RAMBLER	M2018RU	ETB00577300	700X45C	45-622	120	Folding	542	HYPR-X	EXO	Y	60	Tanwall
NEW	RAMBLER	M2018RU	ETB00662100	700X50C	50-622	120	Folding	653	HYPR-X	EXO	Y	60	Black
Folding Bead Specs													
RAVAGER	M2020RU	ETB00201400	700X40C	40-622	17-27	60	Folding	555	Dual	SilkShield	Y	60	Black
RAVAGER	M2020RU	ETB00494700	700X45C	45-622	17-27	60	Folding	606	Dual	SilkShield	Y	60	Black
RAVAGER	M2020RU	ETB00450400	700X50C	50-622	17-30	60	Folding	686	Dual	EXO	Y	60	Black
RAVAGER	M2020RU	ETB00457900	700X50C	50-622	17-30	60	Folding	680	Dual	EXO	Y	60	Tanwall
Wire Bead Specs													
NEW	REAYER	M2031P	ETB00526500	700X40C	40-622	60	Wire	512	Dual	EXO	N	75	Black
NEW	REAYER	M2031P	ETB00526600	700X40C	40-622	60	Wire	502	Single	EXO	N	75	Tanwall
NEW	REAYER	M2031P	ETB00526300	700X45C	45-622	60	Wire	605	Dual	EXO	N	75	Black
NEW	REAYER	M2031P	ETB00526400	700X45C	45-622	60	Wire	587	Single	EXO	N	75	Tanwall
Folding Bead Specs													
NEW	REAYER	M2031RU	ETB00573900	700X40C	40-622	120	Folding	462	HYPR-X	EXO	N	60	Black
NEW	REAYER	M2031RU	ETB00649600	700X40C	40-622	120	Folding	437	HYPR-X	EXO	N	60	Tanwall
NEW	REAYER	M2031RU	ETB00574000	700X45C	45-622	120	Folding	511	HYPR-X	EXO	N	60	Black
NEW	REAYER	M2031RU	ETB00577400	700X45C	45-622	120	Folding	498	HYPR-X	EXO	N	60	Tanwall

GRAVEL

NEW

NEW

TREAD	MOLD #	PART #	SIZE	ETRTO	INNER RIM WIDTH (mm)	TPI	BEAD	WEIGHT (g)	COMPOUND	CASING\ PROTECTION	TUBE-LESS	MAX PSI	COLOR
REAVER	M2031RU	ETB00659600	700X50C	50-622	17-27	120	Folding	556	HYPR-X	EXO	Y	60	Black
REAVER	M2031RU	ETB00662200	700X50C	50-622	17-27	120	Folding	630	HYPR-X	EXO	Y	60	Tanwall

Wire Bead Specs

RECEPTOR	M2027P	ETB00448900	700X40C	40-622	17-27	60	Wire	512	Dual	EXO	N	75	Black
----------	--------	-------------	---------	--------	-------	----	------	-----	------	-----	---	----	-------

Folding Bead Specs

NEW

NEW

RECEPTOR	M2027RU	ETB00300400	650X47B	47-584	17-30	120	Folding	506	Dual	EXO	Y	60	Black
RECEPTOR	M2027RU	ETB00352400	650X47B	47-584	17-30	120	Folding	490	Dual	EXO	Y	60	Tanwall
RECEPTOR	M2027RU	ETB00573800	700X40C	40-622	17-27	150	Folding	468	HYPR-X	EXO	Y	60	Black
RECEPTOR	M2027RU	ETB00649700	700X40C	40-622	17-27	150	Folding	443	HYPR-X	EXO	Y	60	Tanwall

COMMUTER/CARGO

NEW

NEW

NEW

NEW

TREAD	MOLD #	PART #	SIZE	ETRTO	INNER RIM WIDTH (mm)	TPI	BEAD	WEIGHT (g)	COMPOUND	CASING\ PROTECTION	TUBE-LESS	MAX PSI	COLOR	INDEX	LOAD (kg)	E-BIKE
DETONATOR	M2032	ETB00555500	700X32C*	32-622	16-25	60	Wire	413	Dual	-	N	75	Black			
DETONATOR	M2032	ETB00530300	700X35C*	35-622	17-27	60	Wire	477	Single	-	N	75	Black			
DTR-1	M7302	ETB00173600	650X47B	47-584	17-30	60	Wire	623	Single	-	N	65	Black			
DTR-1	M7302	ETB00173600	650X47B	47-584	17-30	60	Wire	623	Dual	-	N	65	Black			
MAXXVENTURE	M-156e	ETB00536000	20X4.0	100-406	59-89	27	Wire	1518	Single	-	N	30	Black			E50
MAXXVENTURE MT	M-157e	ETB00590800	20X4.0	100-406	59-89	27	Wire	1740	Single	-	N	30	Black			E50
METROLOADS	M2029eP	ETB00419600	20X2.15*	55-406	17-30	60	Wire	865	4 Season	MaxxProtect	N	65	Black	31B	109	E50
METROLOADS	M2029eP	ETB00419400	26X2.15*	55-559	17-30	60	Wire	1158	4 Season	MaxxProtect	N	65	Black	40B	140	E50
METROLOADS PRO	M2029eP	ETB00424800	20X2.15*	55-406	17-30	60X2	Wire	988	4 Season/High Mileage	MaxxProtect	N	65	Black	35B	121	E50
METROLOADS PRO	M2029eP	ETB00490500	20X2.40*	61-406	21-35	60X2	Wire	1106	4 Season/High Mileage	MaxxProtect	N	65	Black	35B	121	E50
METROLOADS PRO	M2029eP	ETB00527500	24X2.40*	61-507	21-35	60X2	Wire	1391	4 Season/High Mileage	MaxxProtect	N	65	Black			E50
METROLOADS PRO	M2029eP	ETB00424700	26X2.15*	55-559	17-30	60X2	Wire	1326	4 Season/High Mileage	MaxxProtect	N	65	Black	44B	160	E50
METROLOADS PRO	M2029eP	ETB00490400	26X2.40*	61-559	21-35	60X2	Wire	1526	4 Season/High Mileage	MaxxProtect	N	65	Black	44B	160	E50

* Reflective sidewall

COMMUTER/CARGO

TREAD	MOLD #	PART #	SIZE	ETRTO	INNER RIM WIDTH (mm)	TPI	BEAD	WEIGHT (g)	COMPOUND	CASING\ PROTECTION	TUBE- LESS	MAX PSI	COLOR	INDEX	LOAD (kg)	E-BIKE	
METROLOADS PRO	M2029eP	ETB00527400	27.5X2.15*	55-584	17-30	60X2	Wire	1379	4 Season/High Mileage	MaxxProtect	N	65	Black	44B	160	E50	
METROLOADS PRO	M2029eP	ETB00527600	27.5X2.40*	61-584	21-35	60X2	Wire	1593	4 Season/High Mileage	MaxxProtect	N	65	Black	44B	160	E50	
METROPASS	M2028eP	ETB004469400	27.5X2.00*	49-584	17-30	60	Wire	851	4 Season	MaxxProtect	N	65	Black	33B	115	E50	
METROPASS	M2028eP	ETB00479900	27.5X2.40*	61-584	21-35	60	Wire	1107	4 Season	EXO, MaxxProtect	N	65	Black	37B	128	E50	
METROPASS	M2028eP	ETB00449900	28X2.00*	49-622	17-30	60	Wire	906	4 Season	MaxxProtect	N	65	Black	37B	128	E50	
METROPASS	M2028e	ETB00490900	28X2.20*	55-622	17-30	60	Wire	1069	4 Season	EXO, MaxxProtect	N	65	Black	38B	132	E50	
METROPASS	M2028e	ETB00490300	28X2.40*	61-622	21-35	60	Wire	1160	4 Season	EXO, MaxxProtect	N	65	Black	38B	132	E50	
METROPASS	M2028e	ETB00490600	700X40C	40-622	17-27	60	Wire	682	4 Season	-	N	75	Black	33B	115	E50	
METROPASS	M2028e	ETB00490700	700X45C	45-622	17-27	60	Wire	772	4 Season	-	N	75	Black	33B	115	E50	
NEW	METROPASS AT	M364eU	ETB00653400	20X2.40*	61-406	21-35	60	Wire	787	4 Season	EXO, MaxxProtect	Y	50	Black	35B	121	E-50
NEW	METROPASS AT	M364eU	ETB00553100	27.5X2.40*	61-584	21-35	60	Wire	1101	4 Season	EXO, MaxxProtect	Y	50	Black	38B	132	E-50
NEW	METROPASS AT	M364eU	ETB00554100	27.5X2.60*	66-584	25-43	60	Wire	1203	4 Season	EXO, MaxxProtect	Y	40	Black	40B	140	E-50
NEW	METROPASS AT	M364eU	ETB00553000	29X2.40*	61-622	21-35	60	Wire	1174	4 Season	EXO, MaxxProtect	Y	50	Black	38B	132	E-50
NEW	METROPASS AT	M364eU	ETB00554000	29X2.60*	66-622	25-43	60	Wire	1281	4 Season	EXO, MaxxProtect	Y	40	Black	40B	140	E-50
METROPASS PRO	M2028eP	ETB00469500	27.5X2.00*	49-584	17-30	60X2	Wire	1048	4 Season	MaxxProtect	N	65	Black	37B	128	E50	
METROPASS PRO	M2028eP	ETB00393800	28X2.00*	49-622	17-30	60X2	Wire	1118	4 Season	MaxxProtect	N	65	Black	37B	128	E50	
METROPASS PRO	M2028e	ETB00490800	28X2.20*	55-622	17-27	60X2	Wire	1226	4 Season	MaxxProtect	N	65	Black	42B	150	E50	
METROPASS PRO	M2028eP	ETB00490200	28X2.40*	61-622	21-35	60X2	Wire	1346	4 Season	MaxxProtect	N	65	Black	42B	150	E50	
OVERDRIVE EXCEL	M2013	ETB69104300	26X2.00*	50-559	17-30	60	Wire	764	Dual	SilkShield	N	65	Black				
OVERDRIVE EXCEL	M2013	ETB00474900	26X2.00*	50-559	17-30	60	Wire	711	Single	SilkShield	N	65	Black				
OVERDRIVE EXCEL	M2013	ETB00474000	26X2.00	50-559	17-30	60	Wire	705	Single	SilkShield	N	65	Black				
OVERDRIVE EXCEL	M2013	ETB00394100	700X35C	35-622	17-27	60	Wire	517	Single	SilkShield	N	75	Black				
OVERDRIVE EXCEL	M2013	ETB00424900	700X35C*	35-622	17-27	60	Wire	523	Single	SilkShield	N	75	Black				
OVERDRIVE EXCEL	M2013	ETB91437000	700X35C*	35-622	17-27	60	Wire	561	Dual	SilkShield	N	75	Black				
OVERDRIVE EXCEL	M2013	ETB96137000	700X40C*	40-622	17-27	60	Wire	640	Dual	SilkShield	N	75	Black				

* Reflective sidewall #studded tire

COMMUTER/CARGO

TREAD	MOLD #	PART #	SIZE	ETRTO	INNER RIM WIDTH (mm)	TPI	BEAD	WEIGHT (g)	COMPOUND	CASING\ PROTECTION	TUBE-LESS	MAX PSI	COLOR	INDEX	LOAD (kg)	E-BIKE
OVERDRIVE EXCEL	M2013	ETB00394200	700X40C	40-622	17-27	60	Wire	601	Single	SilkShield	N	75	Black			
OVERDRIVE EXCEL	M2013	ETB00425000	700X40C*	40-622	17-27	60	Wire	607	Dual	SilkShield	N	75	Black			
OVERDRIVE EXCEL	M2013P	ETB00421100	700X47C	47-622	17-30	60	Wire	797	Single	SilkShield	N	75	Black			
OVERDRIVE EXCEL	M2013P	ETB00425100	700X47C*	47-622	17-30	60	Wire	803	Dual	SilkShield	N	75	Black			
NEW POLAR	M2033P	ETB00555600	700X40C#	40-622	17-27	60	Wire	843	Dual	-	N	75	Black			
RE-FUSE	M200RU	ETB00193500	650X47B	47-584	17-30	60	Fold-ing	637	Single	MaxxShield	Y	60	Black			
RE-FUSE	M200RU	ETB00386200	650X47B	47-584	17-30	60	Fold-ing	608	Single	MaxxShield	Y	60	Tan-wall			
RE-FUSE	M200RU	ETB90924000	27.5X2.00	50-584	17-30	60	Fold-ing	629	Single	MaxxShield	Y	60	Black			
RE-FUSE	M200RU	ETB00200900	700X40C	40-622	17-27	60	Fold-ing	585	Single	MaxxShield	Y	60	Black			
RE-FUSE	M200RU	ETB00334800	700X40C	40-622	17-27	60	Fold-ing	568	Single	MaxxShield	Y	60	Tan-wall			

* Reflective sidewall #studded tire

MOUNTAIN

TREAD	MOLD #	PART #	SIZE	ETRTO	INNER RIM WIDTH (mm)	TPI	BEAD	WEIGHT (g)	COMPOUND	CASING\ PROTECTION	TUBE-LESS	MAX PSI	COLOR	E-BIKE	
EXO Specs															
AGGRESSOR	M343RU	ETB73310000	26X2.30	58-559	21-35	60	Folding	886	Dual	EXO	Y	60	Black	E25	
AGGRESSOR	M343RU	ETB91009100	27.5X2.30	58-584	21-35	60	Folding	919	Dual	EXO	Y	60	Black	E25	
AGGRESSOR	M343RU	ETB85984000	27.5X2.50	63-584	21-35	60	Folding	1039	Dual	EXO	Y	50	Black	E25	
AGGRESSOR	M343RU	ETB96882000	29X2.30	58-622	21-35	60	Folding	989	Dual	EXO	Y	60	Black	E25	
AGGRESSOR	M343RU	ETB96870000	29X2.50	63-622	21-35	60	Folding	1115	Dual	EXO	Y	50	Black	E25	
DoubleDown Specs															
AGGRESSOR	M343RU	ETB85984100	27.5X2.50	63-584	21-35	120X2	Folding	1252	Dual	DoubleDown	Y	50	Black	E25	
AGGRESSOR	M343RU	ETB96882100	29X2.30	58-622	21-35	120X2	Folding	1209	Dual	DoubleDown	Y	60	Black	E25	
AGGRESSOR	M343RU	ETB96870100	29X2.50	63-622	21-35	120X2	Folding	1334	Dual	DoubleDown	Y	50	Black	E25	
ASPEN	M316RU	ETB00464900	27.5X2.25	57-584	17-30	120	Folding	654	MaxxSpeed	EXO	Y	60	Black	E25	
ASPEN	M316P	ETB96689500	29X2.10	52-622	17-30	60	Folding	628	Dual	-	N	65	Black	E25	

MOUNTAIN

	TREAD	MOLD #	PART #	SIZE	ETRTO	INNER RIM WIDTH (mm)	TPI	BEAD	WEIGHT (g)	COMPOUND	CASING\ PROTECTION	TUBE-LESS	MAX PSI	COLOR	E-BIKE
	ASPEN	M316RU	ETB96653100	29X2.10	52-622	17-30	120	Folding	654	Dual	EXO	Y	60	Black	E25
	ASPEN	M316RU	ETB96895500	29X2.25	57-622	17-30	120	Folding	698	Dual	EXO	Y	60	Black	E25
	ASPEN	M316RU	ETB00464800	29X2.25	57-584	17-30	120	Folding	717	MaxxSpeed	EXO	Y	60	Black	E25
	ASPEN	M316RU	ETB00211500	29X2.40	61-622	21-35	120	Folding	758	Dual	EXO	Y	50	Black	E25
	ASPEN	M316RU	ETB00464700	29X2.40	61-622	21-35	120	Folding	770	MaxxSpeed	EXO	Y	25	Black	E25
NEW	ASPEN	M316RU	ETB00562400	32X2.40	61-686	21-35	120	Folding	837	MaxxSpeed	EXO	Y	25	Black	E50
NEW	ASPEN AT	M367eU	ETB00670500	32X2.40	61-686	21-35	120	Folding	896	MaxxSpeed	EXO	Y	25	Black	E25
NEW	ASPEN ST	M358RU	ETB00670300	29X2.10	53-622	17-30	120	Folding	648	MaxxSpeed	EXO	Y	30	Black	E25
NEW	ASPEN ST	M358RU	ETB00667700	29X2.40	61-622	21-35	120	Folding	672	MaxxSpeed	EXO	Y	25	Black	E25
NEW	ASPEN ST	M358RU	ETB00667600	29X2.40	61-622	21-35	120	Folding	747	MaxxSpeed	EXO	Y	25	Black	E25
NEW	ASPEN ST	M358eU	ETB00670400	32X2.15	50-686	21-35	120	Folding	713	HYPR-X	EXO	Y	30	Black	E50
EXO Specs															
	ASSEGAI	M356RU	ETB00163300	27.5X2.50	63-584	21-35	60	Folding	1041	Dual	EXO	Y	50	Black	E25
	ASSEGAI	M356RU	ETB00502800	27.5X2.50	63-584	21-35	60	Folding	1021	Dual	EXO	Y	50	Tanwall	E25
NEW	ASSEGAI	M356RU	ETB00698100	27.5X2.50	63-584	21-35	60	Folding	1086	MaxxTerra	EXO	Y	50	Black	E25
	ASSEGAI	M356RU	ETB00195500	27.5X2.60	66-584	25-43	60	Folding	1087	Dual	EXO	Y	40	Black	E25
NEW	ASSEGAI	M356RU	ETB00503000	27.5X2.60	66-584	25-43	60	Folding	1076	Dual	EXO	Y	40	Tanwall	E25
NEW	ASSEGAI	M356RU	ETB00701200	27.5X2.60	66-584	25-43	60	Folding	1127	MaxxTerra	EXO	Y	40	Black	E25
	ASSEGAI	M356RU	ETB00163100	29X2.50	63-622	21-35	60	Folding	1117	Dual	EXO	Y	50	Black	E25
	ASSEGAI	M356RU	ETB00502900	29X2.50	63-622	21-35	60	Folding	1093	Dual	EXO	Y	50	Tanwall	E25
NEW	ASSEGAI	M356RU	ETB00698000	29X2.50	63-622	21-35	60	Folding	1162	MaxxTerra	EXO	Y	50	Black	E25
	ASSEGAI	M356RU	ETB00195600	29X2.60	66-622	25-43	60	Folding	1159	Dual	EXO	Y	40	Black	E25
	ASSEGAI	M356RU	ETB00503100	29X2.60	66-622	25-43	60	Folding	1141	Dual	EXO	Y	50	Tanwall	E25
NEW	ASSEGAI	M356RU	ETB00701300	29X2.60	66-622	25-43	60	Folding	1201	MaxxTerra	EXO	Y	40	Black	E25
EXO+ Specs															
	ASSEGAI	M356RU	ETB00308200	27.5X2.50	63-584	21-35	60	Folding	1139	3C MaxxGrip	EXO+	Y	50	Black	E25

MOUNTAIN

NEW

NEW

NEW

NEW

TREAD	MOLD #	PART #	SIZE	ETRTO	INNER RIM WIDTH (mm)	TPI	BEAD	WEIGHT (g)	COMPOUND	CASING\ PROTECTION	TUBE- LESS	MAX PSI	COLOR	E-BIKE
ASSEGAI	M356RU	ETB00699200	27.5X2.50	63-584	21-35	60	Folding	1150	MaxxTerra	EXO+	Y	50	Black	E25
ASSEGAI	M356RU	ETB00699800	27.5X2.60	66-584	25-43	60	Folding	1197	MaxxTerra	EXO+	Y	40	Black	E25
ASSEGAI	M356RU	ETB00684700	29X2.50	63-622	21-35	60	Folding	1220	MaxxTerra	EXO+	Y	50	Black	E25
ASSEGAI	M356RU	ETB00308100	29X2.50	63-622	21-35	60	Folding	1209	3C MaxxGrip	EXO+	Y	50	Black	E25
ASSEGAI	M356RU	ETB00698200	29X2.60	66-622	25-43	60	Folding	1271	MaxxTerra	EXO+	Y	40	Black	E25

DoubleDown Specs

ASSEGAI	M356RU	ETB00097500	27.5X2.50	63-584	21-35	120X2	Folding	1290	3C MaxxGrip	DoubleDown	Y	50	Black	E25
ASSEGAI	M356RU	ETB00235600	27.5X2.60	66-584	25-43	120X2	Folding	1372	3C MaxxGrip	DoubleDown	Y	50	Black	E25
ASSEGAI	M356RU	ETB00097400	29X2.50	63-622	21-35	120X2	Folding	1374	3C MaxxGrip	DoubleDown	Y	50	Black	E25
ASSEGAI	M356RU	ETB00235200	29X2.60	66-622	25-43	120X2	Folding	1462	3C MaxxGrip	DoubleDown	Y	50	Black	E25

Downhill Specs

ASSEGAI	M356RU	ETB00017200	27.5X2.50	63-584	21-35	60X2	Folding	1389	3C MaxxGrip	Downhill	Y	50	Black	E25
ASSEGAI	M356RU	ETB00435500	29X2.50♦	63-622	21-35	60X2	Wire	1567	Dual	Downhill	Y	50	Black	E25
ASSEGAI	M356RU	ETB00064500	29X2.50	63-622	21-35	60X2	Folding	1480	3C MaxxGrip	Downhill	Y	50	Black	E25

E-Bike Specs

ASSEGAI	M356eU	ETB00473100	27.5X2.50	63-584	21-35	60X2	Folding	1389	3C MaxxGrip	Downhill	Y	50	Black	E50
ASSEGAI	M356eU	ETB00473000	29X2.50	63-622	21-35	60X2	Folding	1480	3C MaxxGrip	Downhill	Y	50	Black	E50

Wire Bead Specs

NEW

CROSSMARK II	M344P	ETB00359400	26X1.95	50-559	17-30	60	Wire	603	Dual	-	N	65	Black	E25
CROSSMARK II	M344P	ETB00359600	26X2.10	52-559	17-30	60	Wire	665	Dual	-	N	65	Black	E25
CROSSMARK II	M344P	ETB00359300	26X2.25	57-559	17-30	60	Wire	750	Dual	-	N	65	Black	E25
CROSSMARK II	M344P	ETB90953000	27.5X2.10	53-584	17-30	60	Wire	712	Dual	-	N	65	Black	E25
CROSSMARK II	M344eP	ETB00450200	27.5X2.25*	57-584	17-30	60	Wire	855	Single	EXO	N	65	Black	E50
CROSSMARK II	M344P	ETB00328600	27.5X2.25	57-584	17-30	60	Wire	749	Dual	-	N	65	Black	E25
CROSSMARK II	M344eP	ETB00470900	27.5X2.25	57-584	17-30	60	Wire	855	Single	EXO	N	65	Black	E50
CROSSMARK II	M344P	ETB00296600	29X2.25	57-622	17-30	60	Wire	834	Dual	-	N	65	Black	E25
CROSSMARK II	M344P	ETB96845100	29X2.25	57-622	17-30	60	Wire	856	Single	-	N	65	Black	E25

* Reflective sidewall

♦suitable for bikepark

MOUNTAIN

TREAD	MOLD #	PART #	SIZE	ETRTO	INNER RIM WIDTH (mm)	TPI	BEAD	WEIGHT (g)	COMPOUND	CASING\ PROTECTION	TUBE-LESS	MAX PSI	COLOR	E-BIKE	
Folding Bead Specs															
CROSSMARK II	M344RU	ETB69854100	26X2.10	53-559	17-30	60	Folding	685	Dual	EXO	Y	60	Black	E25	
CROSSMARK II	M344RU	ETB72642100	26X2.25	57-559	17-30	60	Folding	778	Dual	EXO	Y	60	Black	E25	
CROSSMARK II	M344P	ETB90953100	27.5X2.10	53-584	17-30	60	Folding	630	Dual	-	N	65	Black	E25	
CROSSMARK II	M344RU	ETB90955100	27.5X2.10	53-584	17-30	60	Folding	715	Dual	EXO	Y	60	Black	E25	
CROSSMARK II	M344RU	ETB91032100	27.5X2.25	57-584	17-30	60	Folding	807	Dual	EXO	Y	60	Black	E25	
CROSSMARK II	M344RU	ETB96752100	29X2.10	53-622	17-30	60	Folding	775	Dual	EXO	Y	60	Black	E25	
CROSSMARK II	M344P	ETB96845200	29X2.25	57-622	17-30	60	Folding	768	Single	-	N	65	Black	E25	
CROSSMARK II	M344RU	ETB96795100	29X2.25	57-622	17-30	60	Folding	870	Dual	EXO	Y	60	Black	E25	
EXO Specs															
DISSECTOR	M357RU	ETB00546900	27.5X2.40	61-584	21-35	60	Wire	952	Dual	EXO	Y	50	Black	E25	
DISSECTOR	M357RU	ETB00240600	27.5X2.40	61-584	21-35	60	Folding	878	Dual	EXO	Y	50	Black	E25	
DISSECTOR	M357RU	ETB00231000	27.5X2.40	61-584	21-35	60	Folding	889	3C MaxxTerra	EXO	Y	50	Black	E25	
DISSECTOR	M357RU	ETB00240900	27.5X2.60	66-584	25-43	60	Folding	984	Dual	EXO	Y	40	Black	E25	
DISSECTOR	M357RU	ETB00237200	27.5X2.60	66-584	25-43	60	Folding	1047	3C MaxxTerra	EXO	Y	40	Black	E25	
DISSECTOR	M357RU	ETB00547100	29X2.40	61-622	21-35	60	Wire	1040	Dual	EXO	Y	50	Black	E25	
DISSECTOR	M357RU	ETB00240800	29X2.60	66-622	25-43	60	Folding	1050	Dual	EXO	Y	40	Black	E25	
DISSECTOR	M357RU	ETB00417400	29X2.60	66-622	25-43	60	Folding	1036	Dual	EXO	Y	40	Tanwall	E25	
DISSECTOR	M357RU	ETB00237000	29X2.60	66-622	25-43	60	Folding	1117	3C MaxxTerra	EXO	Y	40	Black	E25	
NEW	G2 DISSECTOR	M368eU	ETB00700200	29X2.40	61-622	21-35	60	Folding	987	MaxxTerra	EXO	Y	50	Black	E50
NEW	G2 DISSECTOR	M368eU	ETB00629200	29X2.40	61-622	21-35	60	Folding	952	Dual	EXO	Y	50	Black	E50
NEW	G2 DISSECTOR	M368eU	ETB00661200	29X2.40	61-622	21-35	60	Folding	930	Dual	EXO	Y	50	Tanwall	E50
EXO+ Specs															
DISSECTOR	M357RU	ETB00259900	27.5X2.40	61-584	21-35	60	Folding	951	3C MaxxTerra	EXO+	Y	50	Black	E25	
DISSECTOR	M357RU	ETB00237100	27.5X2.60	66-584	25-43	60	Folding	1115	3C MaxxTerra	EXO+	Y	40	Black	E25	
DISSECTOR	M357RU	ETB00236900	29X2.60	66-622	25-43	60	Folding	1195	3C MaxxTerra	EXO+	Y	40	Black	E25	

MOUNTAIN

	TREAD	MOLD #	PART #	SIZE	ETRTO	INNER RIM WIDTH (mm)	TPI	BEAD	WEIGHT (g)	COMPOUND	CASING\ PROTECTION	TUBE-LESS	MAX PSI	COLOR	E-BIKE
NEW	G2 DISSECTOR	M368eU	ETB00629600	29X2.40	61-622	21-35	60	Folding	1051	3C MaxxGrip	EXO+	Y	40	Black	E50
	G2 DISSECTOR	M368eU	ETB00700300	29X2.40	61-622	21-35	60	Folding	1045	MaxxTerra	EXO+	Y	50	Black	E50
NEW	G2 DISSECTOR	M368eU	ETB00668900	32X2.40	61-686	21-35	60	Folding	1163	MaxxTerra	EXO+	Y	50	Black	E50
DoubleDown Specs															
	DISSECTOR	M357RU	ETB00240700	27.5X2.40	61-584	21-35	120X2	Folding	1094	3C MaxxGrip	DoubleDown	Y	50	Black	E25
NEW	G2 DISSECTOR	M368eU	ETB00629900	29X2.40	61-622	21-35	120X2	Folding	1209	3C MaxxGrip	DoubleDown	Y	50	Black	E50
NEW	G2 DISSECTOR	M368eU	ETB00700500	29X2.40	61-622	21-35	120X2	Folding	1207	MaxxTerra	DoubleDown	Y	50	Black	E50
Downhill Specs															
	DISSECTOR	M357RU	ETB00230900	27.5X2.40	61-584	21-35	60X2	Folding	1194	3C MaxxGrip	Downhill	Y	50	Black	E25
	DISSECTOR	M357RU	ETB00241100	29X2.40	61-622	21-35	60X2	Folding	1274	3C MaxxGrip	Downhill	Y	50	Black	E25
Wire Bead Specs															
	FOREKASTER	M362P	ETB00474200	29X2.25	57-622	17-30	60	Wire	891	Dual	-	N	65	Black	E25
	FOREKASTER	M362P	ETB00474300	29X2.40	61-622	21-35	60	Wire	957	Dual	-	N	65	Black	E25
	FOREKASTER	M362P	ETB00474500	27.5X2.25	57-622	17-30	60	Wire	836	Dual	-	N	65	Black	E25
	FOREKASTER	M362P	ETB00474700	27.5X2.40	61-622	21-35	60	Wire	899	Dual	-	N	65	Black	E25
EXO Specs															
	FOREKASTER	M362RU	ETB00477000	27.5X2.40	61-584	21-35	60	Folding	840	Dual	EXO	Y	50	Black	E25
NEW	FOREKASTER	M362RU	ETB00699900	27.5X2.40	61-584	21-35	60	Folding	872	MaxxTerra	EXO	Y	50	Black	E25
	FOREKASTER	M362RU	ETB00460500	29X2.40	61-622	21-35	60	Folding	947	Dual	EXO	Y	50	Black	E25
NEW	FOREKASTER	M362RU	ETB00677100	29X2.40	61-622	21-35	60	Folding	939	MaxxTerra	EXO	Y	50	Black	E25
	FOREKASTER	M362RU	ETB00460600	29X2.60	66-622	25-43	60	Folding	1040	Dual	EXO	Y	40	Black	E25
NEW	FOREKASTER	M362RU	ETB00676700	29X2.60	66-622	25-43	60	Folding	1010	MaxxTerra	EXO	Y	40	Black	E25
NEW	FOREKASTER	M362PeU	ETB00724900	32X2.40	61-686	21-35	60	Folding	1060	MaxxTerra	EXO	Y	50	Black	E50
EXO+ Specs															
NEW	FOREKASTER	M362RU	ETB00700000	27.5X2.40	61-584	21-35	60	Folding	936	MaxxTerra	EXO+	Y	50	Black	E25
NEW	FOREKASTER	M362RU	ETB00698700	29X2.40	61-622	21-35	60	Folding	997	MaxxTerra	EXO+	Y	50	Black	E25

MOUNTAIN

NEW

TREAD	MOLD #	PART #	SIZE	ETRTO	INNER RIM WIDTH (mm)	TPI	BEAD	WEIGHT (g)	COMPOUND	CASING\ PROTECTION	TUBE-LESS	MAX PSI	COLOR	E-BIKE
FOREKASTER	M362RU	ETB00696700	29X2.60	66-622	25-43	60	Folding	1080	MaxxTerra	EXO+	Y	40	Black	E25

E-Bike Specs

FOREKASTER	M362eU	ETB00472500	27.5X2.40	61-584	21-35	60	Folding	911	3C MaxxTerra	EXO+	Y	50	Black	E50
FOREKASTER	M362eU	ETB00472400	29X2.40	61-622	21-35	60	Folding	989	3C MaxxTerra	EXO+	Y	50	Black	E50

EXO+ Specs

NEW

HIGH ROLLER	M363RU	ETB00555100	27.5X2.40	61-584	21-35	60	Folding	1058	3C MaxxGrip	EXO+	Y	50	Black	E25
-------------	--------	-------------	-----------	--------	-------	----	---------	------	-------------	------	---	----	-------	-----

NEW

HIGH ROLLER	M363RU	ETB00555200	29X2.40	61-622	21-35	60	Folding	1140	3C MaxxGrip	EXO+	Y	50	Black	E25
-------------	--------	-------------	---------	--------	-------	----	---------	------	-------------	------	---	----	-------	-----

DoubleDown Specs

NEW

HIGH ROLLER	M363RU	ETB00555000	27.5X2.40	61-584	21-35	120X2	Folding	1225	3C MaxxGrip	DoubleDown	Y	50	Black	E25
-------------	--------	-------------	-----------	--------	-------	-------	---------	------	-------------	------------	---	----	-------	-----

NEW

HIGH ROLLER	M363RU	ETB00517200	29X2.40	61-622	21-35	120X2	Folding	1307	3C MaxxGrip	DoubleDown	Y	50	Black	E25
-------------	--------	-------------	---------	--------	-------	-------	---------	------	-------------	------------	---	----	-------	-----

Downhill Specs

NEW

HIGH ROLLER	M363RU	ETB00533400	27.5X2.40	61-584	21-35	60X2	Folding	1339	3C MaxxGrip	Downhill	Y	50	Black	E25
-------------	--------	-------------	-----------	--------	-------	------	---------	------	-------------	----------	---	----	-------	-----

NEW

HIGH ROLLER	M363RU	ETB00513200	29X2.40	61-622	21-35	60X2	Folding	1427	3C MaxxGrip	Downhill	Y	50	Black	E25
-------------	--------	-------------	---------	--------	-------	------	---------	------	-------------	----------	---	----	-------	-----

Wire Bead Specs

IKON	M319P	ETB00359700	26X2.20	57-559	17-30	60	Wire	670	Dual	-	N	65	Black	E25
IKON	M319P	ETB72385200	26X2.20	57-559	17-30	60	Wire	709	Single	-	N	65	Black	E25
IKON	M319P	ETB00327000	27.5X2.20	56-584	17-30	60	Wire	699	Dual	-	N	65	Black	E25
IKON	M319P	ETB00327800	29X2.20	57-622	17-30	60	Wire	746	Dual	-	N	65	Black	E25
IKON	M319P	ETB96753200	29X2.20	57-622	17-30	60	Wire	780	Single	-	N	65	Black	E25

Misc. Specs

IKON	M319P	ETB72385300	26X2.20	57-559	17-30	60	Folding	625	Single	-	N	65	Black	E25
IKON	M319P	ETB85920400	27.5X2.20	56-584	17-30	60	Folding	649	Single	-	N	65	Black	E25
IKON	M319P	ETB96753300	29X2.20	57-622	17-30	60	Folding	692	Single	-	N	65	Black	E25

EXO Specs

IKON	M319RU	ETB00220500	26X2.20	57-559	17-30	60	Folding	676	Single	EXO	Y	60	Tanwall	E25
IKON	M319RU	ETB00332800	27.5X2.20	56-584	17-30	60	Folding	701	Single	EXO	Y	60	Tanwall	E25

MOUNTAIN

NEW

TREAD	MOLD #	PART #	SIZE	ETRTO	INNER RIM WIDTH (mm)	TPI	BEAD	WEIGHT (g)	COMPOUND	CASING\ PROTECTION	TUBE-LESS	MAX PSI	COLOR	E-BIKE
IKON	M319RU	ETB85919300	27.5X2.20	56-584	17-30	60	Folding	719	Dual	EXO	Y	60	Black	E25
IKON	M319RU	ETB00465600	27.5X2.20	56-584	17-30	120	Folding	682	MaxxSpeed	EXO	Y	60	Black	E25
IKON	M319RU	ETB00465400	27.5X2.35	60-584	21-35	120	Folding	783	MaxxSpeed	EXO	Y	60	Black	E25
IKON	M319P	ETB00334200	29X2.20	57-622	17-30	60	Folding	756	Single	EXO	N	65	Tanwall	E25
IKON	M319RU	ETB00332900	29X2.20	57-622	17-30	60	Folding	757	Single	EXO	Y	60	Tanwall	E25
IKON	M319RU	ETB96740300	29X2.20	57-622	17-30	60	Folding	775	Dual	EXO	Y	60	Black	E25
IKON	M319RU	ETB00465500	29X2.20	57-622	17-30	120	Folding	738	MaxxSpeed	EXO	Y	60	Black	E25
IKON	M319RU	ETB00465300	29X2.35	60-622	21-35	120	Folding	841	MaxxSpeed	EXO	Y	60	Black	E25
IKON	M319RU	ETB00502700	29X2.40	61-622	21-35	120	Folding	840	MaxxSpeed	EXO	Y	25	Black	E25

Wire Bead Specs

NEW

MINION DHF	M301P	ETB00327200	20X2.40	61-406	21-35	60	Wire	708	Dual	-	N	65	Black	E25
MINION DHF	M301	ETB73550000	26X2.35	52-559	17-30	60	Wire	858	Super Tacky	-	N	65	Black	E25
MINION DHF	M301RU	ETB00546500	27.5X2.50	63-622	21-35	60	Wire	1153	Dual	EXO	Y	50	Black	E25
MINION DHF	M301P	ETB00445900	29X2.50	63-622	21-35	60	Wire	1112	Single	EXO	N	50	Black	E25
MINION DHF	M301P	ETB00546700	29X2.50	63-622	21-35	60	Wire	1212	Dual	EXO	Y	50	Black	E25

NEW

Misc. Specs

MINION DHF	M301P	ETB00327300	20X2.40	61-406	21-35	60	Folding	648	Dual	-	N	65	Black	E25
MINION DHF	M301P	ETB00153100	24X2.40	61-507	21-35	60	Folding	745	Dual	-	N	65	Black	E25
MINION DHF	M301	ETB73550800	26X2.35	52-559	17-30	60	Folding	759	Single	-	N	65	Black	E25

EXO Specs

MINION DHF	M301RU	ETB00139500	24X2.40	61-507	21-35	60	Folding	819	Dual	EXO	Y	60	Black	E25
MINION DHF	M301RU	ETB00017600	24X2.40	61-507	21-35	120	Folding	803	3C MaxxTerra	EXO	Y	60	Black	E25
MINION DHF	M301RU	ETB73305100	26X2.30	58-559	21-35	60	Folding	924	Dual	EXO	Y	60	Black	E25
MINION DHF	M301RU	ETB73305200	26X2.30	58-559	21-35	60	Folding	910	3C MaxxTerra	EXO	Y	60	Black	E25
MINION DHF	M301RU	ETB74284100	26X2.50	63-559	21-35	60	Folding	965	Dual	EXO	Y	50	Black	E25
MINION DHF	M301RU	ETB74284000	26X2.50	63-559	21-35	60	Folding	984	3C MaxxTerra	EXO	Y	50	Black	E25

MOUNTAIN

TREAD	MOLD #	PART #	SIZE	ETRTO	INNER RIM WIDTH (mm)	TPI	BEAD	WEIGHT (g)	COMPOUND	CASING\ PROTECTION	TUBE-LESS	MAX PSI	COLOR	E-BIKE	
MINION DHF	M301E	ETB74267400	26X2.50	55/59-559	17-30	60	Folding	933	Super Tacky	EXO	N	65	Black	E25	
MINION DHF	M301RU	ETB85925400	27.5X2.30	58-584	21-35	60	Folding	959	Dual	EXO	Y	60	Black	E25	
MINION DHF	M301RU	ETB85925100	27.5X2.30	58-584	21-35	60	Folding	945	3C MaxxTerra	EXO	Y	60	Black	E25	
MINION DHF	M301RU	ETB00333300	27.5X2.30	58-584	21-35	60	Folding	929	3C MaxxTerra	EXO	Y	60	Tanwall	E25	
MINION DHF	M301RU	ETB00219900	27.5X2.50	63-584	21-35	60	Folding	984	Dual	EXO	Y	50	Tanwall	E25	
MINION DHF	M301RU	ETB85975000	27.5X2.50	63-584	21-35	60	Folding	1004	Dual	EXO	Y	50	Black	E25	
NEW	MINION DHF	M301RU	ETB00681400	27.5X2.50	63-584	21-35	60	Folding	1032	MaxxTerra	EXO	Y	50	Black	E25
MINION DHF	M301RU	ETB85975200	27.5X2.50	63-584	21-35	60	Folding	1015	3C MaxxGrip	EXO	Y	50	Black	E25	
MINION DHF	M301RU	ETB91146200	27.5X2.60	66-584	25-43	60	Folding	1051	Dual	EXO	Y	40	Black	E25	
MINION DHF	M301RU	ETB91146300	27.5X2.60	66-584	25-43	120	Folding	1027	3C MaxxTerra	EXO	Y	40	Black	E25	
MINION DHF	M301	ETB96908100	27.5X2.80	71-584	25-43	60	Folding	1110	Dual	EXO	Y	35	Black	E25	
MINION DHF	M301	ETB96908000	27.5X2.80	71-584	25-43	120	Folding	1083	3C MaxxTerra	EXO	Y	35	Black	E25	
MINION DHF	M301RU	ETB96785000	29X2.30	58-622	21-35	60	Folding	1031	Dual	EXO	Y	60	Black	E25	
MINION DHF	M301RU	ETB96785100	29X2.30	58-622	21-35	60	Folding	1015	3C MaxxTerra	EXO	Y	60	Black	E25	
MINION DHF	M301RU	ETB96800000	29X2.50	63-622	21-35	60	Folding	1099	Dual	EXO	Y	50	Black	E25	
MINION DHF	M301RU	ETB00220100	29X2.50	63-622	21-35	60	Folding	1056	Dual	EXO	Y	50	Tanwall	E25	
NEW	MINION DHF	M301RU	ETB00676300	29X2.50	63-622	21-35	60	Folding	1105	MaxxTerra	EXO	Y	50	Black	E25
MINION DHF	M301RU	ETB00144000	29X2.50	63-622	21-35	60	Folding	1092	3C MaxxGrip	EXO	Y	50	Black	E25	
MINION DHF	M301RU	ETB00032800	29X2.60	66-622	25-43	60	Folding	1121	Dual	EXO	Y	40	Black	E25	
MINION DHF	M301RU	ETB00220000	29X2.60	66-622	25-43	60	Folding	1107	Dual	EXO	Y	40	Tanwall	E25	
NEW	MINION DHF	M301RU	ETB00699500	29X2.60	66-622	25-43	120	Folding	1116	MaxxTerra	EXO	Y	40	Black	E25
MINION DHF	M301	ETB96834000	29X3.00	76-622	31-53	120	Folding	1305	3C MaxxTerra	EXO	Y	30	Black	E25	
EXO+ Specs															
MINION DHF	M301RU	ETB00681500	27.5X2.50	63-584	21-35	60	Folding	1096	MaxxTerra	EXO+	Y	50	Black	E25	
MINION DHF	M301RU	ETB00447200	27.5X2.50	63-584	21-35	60	Folding	1085	3C MaxxGrip	EXO+	Y	50	Black	E25	
MINION DHF	M301RU	ETB00093700	27.5X2.60	66-584	25-43	60	Folding	1137	3C MaxxTerra	EXO+	Y	40	Black	E25	
MINION DHF	M301	ETB00093800	27.5X2.80	71-584	25-43	60	Folding	1196	3C MaxxTerra	EXO+	Y	35	Black	E25	

MOUNTAIN

NEW

NEW

TREAD	MOLD #	PART #	SIZE	ETRTO	INNER RIM WIDTH (mm)	TPI	BEAD	WEIGHT (g)	COMPOUND	CASING\ PROTECTION	TUBE-LESS	MAX PSI	COLOR	E-BIKE
MINION DHF	M301RU	ETB00676400	29X2.50	63-622	21-35	60	Folding	1163	MaxxTerra	EX0+	Y	50	Black	E25
MINION DHF	M301RU	ETB00447300	29X2.50	63-622	21-35	60	Folding	1162	3C MaxxGrip	EX0+	Y	50	Black	E25
MINION DHF	M301RU	ETB00686800	29X2.60	66-622	25-43	60	Folding	1231	MaxxTerra	EX0+	Y	40	Black	E25
DoubleDown Specs														
MINION DHF	M301RU	ETB85975300	27.5X2.50	63-584	21-35	120X2	Folding	1236	3C MaxxGrip	DoubleDown	Y	50	Black	E25
MINION DHF	M301RU	ETB96785400	29X2.30	58-622	21-35	120X2	Folding	1235	3C MaxxTerra	DoubleDown	Y	60	Black	E25
MINION DHF	M301RU	ETB96800600	29X2.50	63-622	21-35	120X2	Folding	1318	3C MaxxTerra	DoubleDown	Y	50	Black	E25
MINION DHF	M301RU	ETB00132600	29X2.50	63-622	21-35	120X2	Folding	1317	3C MaxxGrip	DoubleDown	Y	50	Black	E25
Downhill Specs														
MINION DHF	M301P	ETB50614000	24X2.40	61-507	21-35	60X2	Wire	1193	3C MaxxGrip	Downhill	N	65	Black	E25
MINION DHF	M301	ETB74265700	26X2.50	55-559	17-30	60X2	Wire	1253	Single	Downhill	N	65	Black	E25
MINION DHF	M301	ETB74265000	26X2.50	55-559	17-30	60X2	Wire	1249	Super Tacky	Downhill	N	65	Black	E25
MINION DHF	M301P	ETB85976100	27.5X2.50	63-584	21-35	60X2	Wire	1435	Super Tacky	Downhill	N	50	Black	E25
MINION DHF	M301P	ETB85976000	27.5X2.50	63-584	21-35	60X2	Wire	1431	3C MaxxGrip	Downhill	N	50	Black	E25
MINION DHF	M301RU	ETB85975700	27.5X2.50	63-584	21-35	60X2	Folding	1335	3C MaxxGrip	Downhill	Y	50	Black	E25
MINION DHF	M301RU	ETB00435600	29X2.50	63-622	21-35	60X2	Wire	1521	Dual	Downhill	Y	50	Black	E25
MINION DHF	M301RU	ETB96800700	29X2.50	63-622	21-35	60X2	Folding	1423	3C MaxxGrip	Downhill	Y	50	Black	E25
E-BikeSpecs														
MINION DHF	M301eU	ETB00472900	27.5X2.50	63-584	21-35	60X2	Folding	1335	3C MaxxGrip	Downhill	Y	50	Black	E50
MINION DHF	M301eU	ETB00472800	29X2.50	63-622	21-35	60X2	Folding	1423	3C MaxxGrip	Downhill	Y	50	Black	E50
Misc. Specs														
MINION DHR II	M327P	ETB00327400	20X2.30	58-406	21-35	60	Wire	631	Dual	-	N	65	Black	E25
MINION DHR II	M327P	ETB00327500	20X2.30	58-406	21-35	60	Folding	571	Dual	-	N	65	Black	E25
MINION DHR II	M327P	ETB00153300	24X2.30	58-507	21-35	60	Folding	682	Dual	-	N	65	Black	E25
EXO Specs														
MINION DHR II	M327RU	ETB00143500	24X2.30	58-507	21-35	60	Folding	759	Dual	EXO	Y	60	Black	E25

MOUNTAIN

	TREAD	MOLD #	PART #	SIZE	ETRTO	INNER RIM WIDTH (mm)	TPI	BEAD	WEIGHT (g)	COMPOUND	CASING\ PROTECTION	TUBE-LESS	MAX PSI	COLOR	E-BIKE
	MINION DHR II	M327RU	ETB73303000	26X2.30	58-559	21-35	60	Folding	854	Dual	EXO	Y	60	Black	E25
	MINION DHR II	M327RU	ETB73303100	26X2.30	58-559	21-35	60	Folding	852	3C MaxxTerra	EXO	Y	60	Black	E25
	MINION DHR II	M327RU	ETB72910000	26X2.40	61-559	21-35	60	Folding	930	Dual	EXO	Y	50	Black	E25
NEW	MINION DHR II	M327RU	ETB00680300	26X2.40	61-559	21-35	60	Folding	953	MaxxTerra	EXO	Y	50	Black	E25
	MINION DHR II	M327	ETB72907500	26X2.40	61-559	21-35	60	Folding	933	Super Tacky	EXO	N	65	Black	E25
	MINION DHR II	M327RU	ETB85927200	27.5X2.30	58-584	21-35	60	Folding	888	Dual	EXO	Y	60	Black	E25
	MINION DHR II	M327RU	ETB85927000	27.5X2.30	58-584	21-35	60	Folding	886	3C MaxxTerra	EXO	Y	60	Black	E25
	MINION DHR II	M327RU	ETB85962000	27.5X2.40	61-584	21-35	60	Folding	965	Dual	EXO	Y	50	Black	E25
	MINION DHR II	M327RU	ETB00220200	27.5X2.40	61-584	21-35	60	Folding	949	Dual	EXO	Y	50	Tanwall	E25
NEW	MINION DHR II	M327RU	ETB00680200	27.5X2.40	61-584	21-35	60	Folding	991	MaxxTerra	EXO	Y	50	Black	E25
	MINION DHR II	M327RU	ETB00354300	27.5X2.40	61-584	21-35	60	Folding	980	3C MaxxGrip	EXO	Y	50	Black	E25
	MINION DHR II	M327RU	ETB91149100	27.5X2.60	66-584	25-43	60	Folding	1043	Dual	EXO	Y	40	Black	E25
NEW	MINION DHR II	M327RU	ETB00699700	27.5X2.60	66-584	25-43	120	Folding	1007	MaxxTerra	EXO	Y	40	Black	E25
	MINION DHR II	M327	ETB96909100	27.5X2.80	71-584	25-43	60	Folding	1110	Dual	EXO	Y	35	Black	E25
	MINION DHR II	M327	ETB96909000	27.5X2.80	71-584	25-43	120	Folding	1083	3C MaxxTerra	EXO	Y	35	Black	E25
	MINION DHR II	M327RU	ETB96776000	29X2.30	58-622	21-35	60	Folding	953	Dual	EXO	Y	60	Black	E25
	MINION DHR II	M327RU	ETB96776100	29X2.30	58-622	21-35	60	Folding	951	3C MaxxTerra	EXO	Y	60	Black	E25
	MINION DHR II	M327RU	ETB96797000	29X2.40	61-622	21-35	60	Folding	1040	Dual	EXO	Y	50	Black	E25
	MINION DHR II	M327RU	ETB00220400	29X2.40	61-622	21-35	60	Folding	1018	Dual	EXO	Y	50	Tanwall	E25
	MINION DHR II	M327RU	ETB00680000	29X2.40	61-622	21-35	60	Folding	1067	MaxxTerra	EXO	Y	50	Black	E25
	MINION DHR II	M327RU	ETB00143900	29X2.40	61-622	21-35	60	Folding	1056	3C MaxxGrip	EXO	Y	50	Black	E25
	MINION DHR II	M327RU	ETB00073200	29X2.60	66-622	25-43	60	Folding	1113	Dual	EXO	Y	40	Black	E25
	MINION DHR II	M327RU	ETB00220300	29X2.60	66-622	25-43	60	Folding	1095	Dual	EXO	Y	40	Tanwall	E25
NEW	MINION DHR II	M327RU	ETB00703500	29X2.60	66-622	25-43	120	Folding	1076	MaxxTerra	EXO	Y	40	Black	E25
	MINION DHR II	M327	ETB96835200	29X3.00	76-622	31-53	120	Folding	1308	3C MaxxTerra	EXO	Y	30	Black	E25
	EXO+ Specs														
NEW	MINION DHR II	M327RU	ETB00680100	27.5X2.40	61-584	21-35	60	Folding	1055	MaxxTerra	EXO+	Y	50	Black	E25

MOUNTAIN

	TREAD	MOLD #	PART #	SIZE	ETRTO	INNER RIM WIDTH (mm)	TPI	BEAD	WEIGHT (g)	COMPOUND	CASING\ PROTECTION	TUBE-LESS	MAX PSI	COLOR	E-BIKE
	MINION DHR II	M327RU	ETB00447400	27.5X2.40	61-584	21-35	60	Folding	1045	3C MaxxGrip	EX0+	Y	50	Black	E25
NEW	MINION DHR II	M327RU	ETB00698500	27.5X2.50	63-584	21-35	60	Folding	1068	MaxxTerra	EX0+	Y	50	Black	E25
NEW	MINION DHR II	M327RU	ETB00686900	27.5X2.60	66-584	25-43	60	Folding	1108	MaxxTerra	EX0+	Y	50	Black	E25
	MINION DHR II	M327	ETB00113800	27.5X2.80	71-584	25-43	60	Folding	1196	3C MaxxTerra	EX0+	Y	35	Black	E25
NEW	MINION DHR II	M327RU	ETB00677200	29X2.40	61-622	21-35	60	Folding	1125	MaxxTerra	EX0+	Y	50	Black	E25
	MINION DHR II	M327RU	ETB00447500	29X2.40	61-622	21-35	60	Folding	1112	3C MaxxGrip	EX0+	Y	50	Black	E25
NEW	MINION DHR II	M327RU	ETB00698400	29X2.50	63-622	21-35	60	Folding	1134	MaxxTerra	EX0+	Y	50	Black	E25
NEW	MINION DHR II	M327RU	ETB00697900	29X2.60	66-622	25-43	60	Folding	1177	MaxxTerra	EX0+	Y	40	Black	E25
	DoubleDown Specs														
	MINION DHR II	M327RU	ETB85927400	27.5X2.30	58-584	21-35	120X2	Folding	1093	3C MaxxTerra	DoubleDown	Y	60	Black	E25
NEW	MINION DHR II	M327RU	ETB00697800	27.5X2.40	61-584	21-35	120X2	Folding	1209	MaxxTerra	DoubleDown	Y	50	Black	E25
	MINION DHR II	M327RU	ETB00132400	27.5X2.40	61-584	21-35	120X2	Folding	1198	3C MaxxGrip	DoubleDown	Y	50	Black	E25
NEW	MINION DHR II	M327RU	ETB00698600	27.5X2.50	63-584	21-35	120X2	Folding	1217	MaxxTerra	DoubleDown	Y	50	Black	E25
	MINION DHR II	M327RU	ETB00551400	27.5X2.50	63-584	21-35	120X2	Folding	1228	3C MaxxGrip	DoubleDown	Y	50	Black	E25
NEW	MINION DHR II	M327RU	ETB00698900	27.5X2.60	66-584	25-43	120X2	Folding	1265	MaxxTerra	DoubleDown	Y	40	Black	E25
	MINION DHR II	M327RU	ETB96776400	29X2.30	58-622	21-35	120X2	Folding	1165	3C MaxxTerra	DoubleDown	Y	60	Black	E25
NEW	MINION DHR II	M327RU	ETB00679900	29X2.40	61-622	21-35	120X2	Folding	1287	MaxxTerra	DoubleDown	Y	50	Black	E25
	MINION DHR II	M327RU	ETB00087500	29X2.40	61-622	21-35	120X2	Folding	1193	3C MaxxGrip	DoubleDown	Y	50	Black	E25
NEW	MINION DHR II	M327RU	ETB00700100	29X2.50	63-622	21-35	120X2	Folding	1297	MaxxTerra	DoubleDown	Y	50	Black	E25
	MINION DHR II	M327RU	ETB00551000	29X2.50	63-622	21-35	120X2	Folding	1309	3C MaxxGrip	DoubleDown	Y	50	Black	E25
NEW	MINION DHR II	M327RU	ETB00699600	29X2.60	66-622	25-43	120X2	Folding	1352	MaxxTerra	DoubleDown	Y	40	Black	E25
	Downhill Specs														
	MINION DHR II	M327	ETB72907000	26X2.40	61-559	21-35	60X2	Wire	1300	Single	Downhill	N	65	BLACK	E25
	MINION DHR II	M327	ETB72907200	26X2.40	61-559	21-35	60X2	Wire	1301	Super Tacky	Downhill	N	65	BLACK	E25
	MINION DHR II	M327	ETB91051100	27.5X2.40	61-584	21-35	60X2	Wire	1347	Super Tacky	Downhill	N	65	BLACK	E25
	MINION DHR II	M327RU	ETB85962700	27.5X2.40	61-584	21-35	60X2	Folding	1294	3C MaxxGrip	Downhill	Y	50	BLACK	E25

MOUNTAIN

NEW

NEW

NEW

NEW

TREAD	MOLD #	PART #	SIZE	ETRTO	INNER RIM WIDTH (mm)	TPI	BEAD	WEIGHT (g)	COMPOUND	CASING\ PROTECTION	TUBE-LESS	MAX PSI	COLOR	E-BIKE
MINION DHR II	M327RU	ETB00537000	27.5X2.50◆	63-584	21-35	60X2	Wire	1382	Dual	Downhill	Y	50	BLACK	E25
MINION DHR II	M327RU	ETB00698800	27.5X2.50	63-584	21-35	60X2	Folding	1316	MaxxTerra	Downhill	Y	50	BLACK	E25
MINION DHR II	M327RU	ETB00551200	27.5X2.50	63-584	21-35	60X2	Folding	1327	3C MaxxGrip	Downhill	Y	50	BLACK	E25
MINION DHR II	M327RU	ETB00368500	29X2.40◆	61-622	21-35	60X2	Wire	1462	Dual	Downhill	Y	50	BLACK	E25
MINION DHR II	M327RU	ETB96797500	29X2.40	61-622	21-35	60X2	Folding	1379	3C MaxxGrip	Downhill	Y	50	BLACK	E25
MINION DHR II	M327RU	ETB00699300	29X2.50	63-622	21-35	60X2	Folding	1403	MaxxTerra	Downhill	Y	50	BLACK	E25
MINION DHR II	M327RU	ETB00550800	29X2.50	63-622	21-35	60X2	Folding	1415	3C MaxxGrip	Downhill	Y	50	BLACK	E25

E-Bike Specs

MINION DHR II	M327eU	ETB00472700	27.5X2.40	61-584	21-35	60X2	Folding	1261	3C MaxxTerra	Downhill	Y	50	Black	E50
MINION DHR II	M327eU	ETB00472600	29X2.40	61-622	21-35	60X2	Folding	1344	3C MaxxTerra	Downhill	Y	50	Black	E50

Wire Bead Specs

PACE	M333	ETB00359900	26X2.10	52-559	17-30	60	Wire	640	Single	-	N	65	Black	E25
PACE	M333	ETB85908000	27.5X1.95	50-584	17-30	60	Wire	641	Single	-	N	65	Black	E25
PACE	M333	ETB00282000	27.5X2.10	53-584	17-30	60	Wire	668	Single	-	N	65	Black	E25
PACE	M333	ETB00327900	29X2.10	53-622	17-30	60	Wire	712	Single	-	N	65	Black	E25

Folding Bead Specs

PACE	M333	ETB69309100	26X2.10	53-559	17-30	60	Folding	587	Single	-	N	65	Black	E25
PACE	M333	ETB91025300	27.5X1.75	42-584	17-30	60	Folding	500	Single	-	N	65	Black	E25
PACE	M333	ETB90942100	27.5X2.10	53-584	17-30	60	Folding	617	Single	-	N	65	Black	E25
PACE	M333	ETB96667100	29X2.10	53-622	17-30	60	Folding	656	Single	-	N	65	Black	E25
PACE	M333RU	ETB96764100	29X2.10	53-622	17-30	60	Folding	689	Dual	EXO	Y	60	Black	E25
PACE II	M366	ETB00660000	27.5X1.95	50-584	17-30	60	Folding	570	Single	SilkShield	N	65	Black	E25
PACE II	M366	ETB00659900	26X1.95	50-507	17-30	60	Folding	543	Single	SilkShield	N	65	Black	E25

Wire Bead Specs

NEW

NEW

PACE II	M366	ETB00577100	20X2.10	53-406	17-30	60	Wire	441	Dual	-	N	65	Black	E25
PACE II	M366	ETB00576900	24X2.10	53-507	17-30	60	Wire	548	Dual	-	N	65	Black	E25

◆suitable for bikepark

MOUNTAIN

	TREAD	MOLD #	PART #	SIZE	ETRTO	INNER RIM WIDTH (mm)	TPI	BEAD	WEIGHT (g)	COMPOUND	CASING\ PROTECTION	TUBE-LESS	MAX PSI	COLOR	E-BIKE
NEW	PACE II	M366	ETB00576700	26X2.10	53-559	17-30	60	Wire	603	Dual	-	N	65	Black	E25
NEW	PACE II	M366	ETB00576500	27.5X2.10	53-584	17-30	60	Wire	670	Dual	-	N	65	Black	E25
NEW	PACE II	M366	ETB00576300	29X2.10	53-622	17-30	60	Wire	715	Dual	-	N	65	Black	E25
NEW	PACE II	M366	ETB00650700	26X1.95	50-559	17-30	60	Wire	575	Dual	-	N	65	Black	E25
NEW	PACE II	M366	ETB00650900	27.5X1.95	50-584	17-30	60	Wire	642	Dual	-	N	65	Black	E25
NEW	PACE II	M366	ETB00651100	29X1.95	50-622	17-30	60	Wire	685	Dual	-	N	65	Black	E25
NEW	PACE II	M366	ETB00651300	26X2.25	57-559	17-30	60	Wire	N/A	Dual	-	N	65	Black	E25
NEW	PACE II	M366	ETB00651500	27.5X2.25	57-584	17-30	60	Wire	N/A	Dual	-	N	65	Black	E25
NEW	PACE II	M366	ETB00651700	29X2.25	57-622	17-30	60	Wire	N/A	Dual	-	N	65	Black	E25

Wire Bead Specs

NEW	REKON	M349P	ETB00328200	27.5X2.25	57-584	17-30	60	Wire	776	Single	-	N	65	Black	E25
NEW	REKON	M349P	ETB00568900	27.5X2.40	61-584	21-35	60	Wire	872	Single	EXO	N	65	Tanwall	E25
	REKON	M349P	ETB00329000	27.5X2.60	66-584	25-43	60	Wire	986	Dual	EXO	N	40	Black	E25
	REKON	M349P	ETB00471000	27.5X2.80	71-584	25-43	60	Wire	1063	Single	EXO	N	35	Black	E25
	REKON	M349P	ETB00328300	29X2.25	57-622	17-30	60	Wire	827	Single	-	N	65	Black	E25
NEW	REKON	M349P	ETB00568800	29X2.40	61-622	21-35	60	Wire	928	Single	EXO	N	65	Tanwall	E25
	REKON	M349P	ETB00328800	29X2.40	61-622	21-35	60	Wire	879	Dual	-	N	65	Black	E25
NEW	REKON	M349RU	ETB00572300	29X2.40	61-622	21-35	60	Wire	971	Dual	EXO	Y	50	Tanwall	E25
	REKON	M349P	ETB00328900	29X2.60	66-622	25-43	60	Wire	1051	Dual	EXO	N	40	Black	E25

Misc. Specs

	REKON	M349P	ETB00153500	24X2.20	56-507	17-30	60	Folding	603	Dual	-	N	65	Black	E25
--	-------	-------	-------------	---------	--------	-------	----	---------	-----	------	---	---	----	-------	-----

EXO Specs

	REKON	M349RU	ETB00018000	27.5X2.40	61-584	21-35	60	Folding	827	Dual	EXO	Y	50	Black	E25
	REKON	M349RU	ETB00017400	27.5X2.40	61-584	21-35	60	Folding	834	3C MaxxTerra	EXO	Y	50	Black	E25
	REKON	M349RU	ETB91145300	27.5X2.60	66-584	25-43	60	Folding	880	Dual	EXO	Y	40	Black	E25
NEW	REKON	M349RU	ETB00702600	27.5X2.60	66-584	25-43	120	Folding	844	MaxxTerra	EXO	Y	40	Black	E25

MOUNTAIN

TREAD	MOLD #	PART #	SIZE	ETRTO	INNER RIM WIDTH (mm)	TPI	BEAD	WEIGHT (g)	COMPOUND	CASING\ PROTECTION	TUBE-LESS	MAX PSI	COLOR	E-BIKE	
REKON	M349	ETB96906000	27.5X2.80	71-584	25-43	60	Folding	1014	Dual	EXO	Y	35	Black	E25	
REKON	M349	ETB96906100	27.5X2.80	71-584	25-43	120	Folding	959	3C MaxxTerra	EXO	Y	35	Black	E25	
REKON	M349	ETB00260100	27.5X2.80	71-584	25-43	60	Folding	984	3C MaxxTerra	EXO	Y	35	Tanwall	E25	
REKON	M349RU	ETB96899100	29X2.25	57-622	17-30	120	Folding	722	3C MaxxSpeed	EXO	Y	60	Black	E25	
REKON	M349RU	ETB00017700	29X2.40	61-622	21-35	60	Folding	891	Dual	EXO	Y	50	Black	E25	
REKON	M349RU	ETB00017500	29X2.40	61-622	21-35	60	Folding	842	3C MaxxTerra	EXO	Y	50	Black	E25	
REKON	M349RU	ETB00219600	29X2.40	61-622	21-35	60	Folding	877	Dual	EXO	Y	50	Tanwall	E25	
REKON	M349RU	ETB96962100	29X2.60	66-622	25-43	60	Folding	941	Dual	EXO	Y	40	Black	E25	
REKON	M349RU	ETB00219700	29X2.60	66-622	25-43	60	Folding	923	Dual	EXO	Y	40	Tanwall	E25	
NEW	REKON	M349RU	ETB00702800	29X2.60	66-622	25-43	120	Folding	902	MaxxTerra	EXO	Y	40	Black	E25
	REKON	M349	ETB00038600	29X2.80	71-622	25-43	60	Folding	1089	Dual	EXO	Y	35	Black	E25
EXO+ Specs															
NEW	REKON	M349RU	ETB00702700	27.5X2.60	66-584	25-43	60	Folding	956	MaxxTerra	EXO+	Y	40	Black	E25
	REKON	M349	ETB00161200	27.5X2.80	71-584	25-43	60	Folding	1072	3C MaxxTerra	EXO+	Y	35	Black	E25
	REKON	M349RU	ETB00301000	29X2.40	61-622	21-35	60	Folding	922	3C MaxxTerra	EXO+	Y	50	Black	E25
NEW	REKON	M349RU	ETB00686600	29X2.60	66-622	25-43	60	Folding	1017	MaxxTerra	EXO+	Y	40	Black	E25
Wire Bead Specs															
	REKON RACE	M355P	ETB00326900	27.5X2.25	57-584	17-30	60	Wire	706	Dual	-	N	65	Black	E25
	REKON RACE	M355P	ETB00329200	27.5X2.25	57-584	17-30	60	Wire	774	Dual	EXO	N	65	Black	E25
	REKON RACE	M355P	ETB00415200	27.5X2.25	57-584	17-30	60	Wire	776	Single	EXO	N	65	Tanwall	E25
	REKON RACE	M355P	ETB00338300	29X2.25	57-622	17-30	60	Wire	753	Dual	-	N	65	Black	E25
	REKON RACE	M355P	ETB00329300	29X2.25	57-622	17-30	60	Wire	825	Dual	EXO	N	65	Black	E25
NEW	REKON RACE	M355RU	ETB00543300	29X2.25	57-622	17-30	60	Wire	833	Dual	EXO	Y	60	Black	E25
	REKON RACE	M355P	ETB00415100	29X2.25	57-622	17-30	60	Wire	827	Single	EXO	N	65	Tanwall	E25
	REKON RACE	M355P	ETB00466000	29X2.40	61-622	21-35	60	Wire	921	Dual	EXO	N	65	Black	E25
	REKON RACE	M355P	ETB00449100	29X2.40	61-622	21-35	60	Wire	899	Single	EXO	N	65	Tanwall	E25

MOUNTAIN

TREAD	MOLD #	PART #	SIZE	ETRTO	INNER RIM WIDTH (mm)	TPI	BEAD	WEIGHT (g)	COMPOUND	CASING\ PROTECTION	TUBE-LESS	MAX PSI	COLOR	E-BIKE	
Folding Bead Specs															
REKON RACE	M355RU	ETB00267300	27.5X2.00	50-584	17-30	120	Folding	633	Dual	EXO	Y	60	Black	E25	
REKON RACE	M355RU	ETB00244600	27.5X2.25	57-584	17-30	120	Folding	689	Dual	EXO	Y	60	Black	E25	
REKON RACE	M355RU	ETB00230500	27.5X2.25	57-584	17-30	120	Folding	744	Dual	EXO	Y	60	Black	E25	
REKON RACE	M355RU	ETB00465200	27.5X2.25	57-584	17-30	120	Folding	682	MaxxSpeed	EXO	Y	60	Black	E25	
REKON RACE	M355RU	ETB00229000	29X2.25	57-622	17-30	60	Folding	755	Single	EXO	Y	60	Tanwall	E25	
REKON RACE	M355RU	ETB00046300	29X2.25	57-622	17-30	120	Folding	740	Dual	EXO	Y	60	Black	E25	
REKON RACE	M355RU	ETB00465100	29X2.25	57-622	17-30	120	Folding	732	MaxxSpeed	EXO	Y	60	Black	E25	
REKON RACE	M355RU	ETB00139700	29X2.35	60-622	21-35	60	Folding	847	Dual	EXO	Y	60	Black	E25	
REKON RACE	M355RU	ETB00139800	29X2.35	60-622	21-35	120	Folding	803	Dual	EXO	Y	60	Black	E25	
REKON RACE	M355RU	ETB00219800	29X2.35	60-622	21-35	60	Folding	833	Single	EXO	Y	60	Tanwall	E25	
REKON RACE	M355RU	ETB00211100	29X2.40	61-622	21-35	120	Folding	816	Dual	EXO	Y	25	Black	E25	
NEW	REKON RACE	M355RU	ETB00465000	29X2.40	61-622	21-35	120	Folding	823	MaxxSpeed	EXO	Y	25	Black	E25
	REKON RACE	M355RU	ETB00417300	29X2.40	61-622	21-35	60	Folding	836	Single	EXO	Y	25	Tanwall	E25
EXO Specs															
NEW	SEVERE	M360RU	ETB00477500	27.5X2.25	57-584	17-30	120	Folding	692	MaxxSpeed	EXO	Y	60	Black	E25
NEW	SEVERE	M360RU	ETB00465700	29X2.25	57-622	17-30	120	Folding	751	MaxxSpeed	EXO	Y	60	Black	E25
EXO Specs															
SHORTY	M359RU	ETB00325200	27.5X2.40	61-584	21-35	60	Folding	965	3C MaxxTerra	EXO	Y	50	Black	E25	
SHORTY	M359RU	ETB00311800	29X2.40	61-622	21-35	60	Folding	1040	3C MaxxTerra	EXO	Y	50	Black	E25	
DoubleDown Specs															
SHORTY	M359RU	ETB00325100	27.5X2.40	61-584	21-35	120X2	Folding	1183	3C MaxxGrip	DoubleDown	Y	50	Black	E25	
SHORTY	M359RU	ETB00312200	29X2.40	61-622	21-35	120X2	Folding	1260	3C MaxxGrip	DoubleDown	Y	50	Black	E25	
Downhill Specs															
SHORTY	M359RU	ETB00325000	27.5X2.40	61-584	21-35	60X2	Folding	1279	3C MaxxGrip	Downhill	Y	50	Black	E25	
SHORTY	M359RU	ETB00265900	29X2.40	61-622	21-35	60X2	Folding	1363	3C MaxxGrip	Downhill	Y	50	Black	E25	

MOUNTAIN

TREAD	MOLD #	PART #	SIZE	ETRTO	INNER RIM WIDTH (mm)	TPI	BEAD	WEIGHT (g)	COMPOUND	CASING\ PROTECTION	TUBE-LESS	MAX PSI	COLOR	E-BIKE
Misc. Specs														
SNYPER	M151	ETB49307300	24X2.00	50-507	17-30	60	Wire	652	Dual	SilkShield	N	65	Black	E25
SNYPER	M151	ETB49307200	24X2.00	50-507	17-30	60	Folding	598	Dual	SilkShield	N	65	Black	E25
Downhill Specs														
WETSCREAM	M137RU	ETB00466700	27.5X2.50	55-584	17-30	60X2	Folding	1183	3C MaxxGrip	Downhill	Y	50	Black	E25
WETSCREAM	M137RU	ETB00241500	29X2.50	55-622	17-30	60X2	Folding	1262	3C MaxxGrip	Downhill	Y	50	Black	E25

BMX/TRIALS

TREAD	MOLD #	PART #	SIZE	ETRTO	INNER RIM WIDTH (mm)	TPI	BEAD	WEIGHT (g)	COMPOUND	CASING\ PROTECTION	TUBE-LESS	MAX PSI	COLOR
CREEPLY CRAWLER F	M143	ETB29688100	20X2.00	54-406	17-30	60	Wire	590	Super Tacky	-	50	Black	
CREEPLY CRAWLER R	M143	ETB35877000	20X2.50	67-387	25-43	27X2	Wire	989	Super Tacky	-	50	Black	
Wire Bead Specs													
DTH	M147	ETB20352000	20X1-1/8	28-451	15-23	120	Wire	263	Dual	SilkWorm	85	Black	
DTH	M147	ETB20629000	20X1-3/8	37-451	17-27	120	Wire	351	Dual	SilkWorm	65	Black	
DTH	M147	ETB00409700	20X1.50	38-406	17-27	120	Wire	388	Dual	EXO	110	Black	
DTH	M147	ETB00409800	20X1.75	44-406	17-27	120	Wire	433	Dual	EXO	110	Black	
DTH	M147	ETB00409900	20X2.20	56-406	17-30	120	Wire	615	Dual	EXO	110	Black	
DTH	M147	ETB47649000	24X1.75	44-507	17-27	120	Wire	479	Dual	SilkWorm	65	Black	
DTH	M147P	ETB73300000	26X2.30	55/58-559	17-30	60	Wire	803	Single	-	65	Black	
DTH	M147P	ETB00334500	26X2.30	55/58-559	17-30	60	Wire	859	Single	EXO	65	Tanwall	
Folding Bead Specs													
DTH	M147	ETB00322200	20X1.75	44-406	17-27	120	Folding	375	Dual	EXO	110	Black	
DTH	M147	ETB00322100	20X1.95	49-406	17-30	120	Folding	443	Dual	EXO	110	Black	
DTH	M147	ETB00386000	20X2.20	56-406	17-30	120	Folding	557	Dual	EXO	110	Black	
DTH	M147P	ETB72683000	26X2.15	52/54-559	17-30	60	Folding	577	Single	-	80	Black	

BMX/TRIALS

TREAD	MOLD #	PART #	SIZE	ETRTO	INNER RIM WIDTH (mm)	TPI	BEAD	WEIGHT (g)	COMPOUND	CASING\ PROTECTION	TUBE-LESS	MAX PSI	COLOR
DTH	M147P	ETB00334100	26X2.15	52/54-559	17-30	60	Folding	627	Single	EXO	80	Tanwall	
DTH	M147P	ETB73301000	26X2.30	55/58-559	17-30	60	Folding	719	Single	-	65	Black	
DTH	M147P	ETB00334400	26X2.30	55/58-559	17-30	60	Folding	773	Single	EXO	65	Tanwall	
Wire Bead Specs													
GRIFTER	M148	ETB00357300	20X2.10	53-406	17-30	60X2	Wire	664	Dual	-	110	Black	
GRIFTER	M148P	ETB96648000	29X2.00	50-622	17-30	60	Wire	739	Single	-	65	Black	
GRIFTER	M148P	ETB96802000	29X2.50	64-622	21-35	60	Wire	905	Single	-	65	Black	
GRIFTER	M148P	ETB00409500	29X2.50	64-622	21-35	60	Wire	966	Single	EXO	65	Tanwall	
Folding Bead Specs													
GRIFTER	M148	ETB00357000	20X1.85	48-406	17-30	120	Folding	442	Dual	EXO	110	Black	
GRIFTER	M148	ETB00357200	20X2.10	53-406	17-30	120	Folding	491	Dual	EXO	110	Black	
GRIFTER	M148	ETB00357900	20X2.30	58-406	21-35	120	Folding	539	Dual	EXO	110	Black	
GRIFTER	M148	ETB00360700	20X2.40	61-406	21-35	60X2	Folding	714	Dual	-	110	Black	
GRIFTER	M148P	ETB96648100	29X2.00	50-622	17-30	60	Folding	651	Single	-	65	Black	
HOLY ROLLER	M126	ETB20628000	20X1-3/8	37-451	17-27	60	Wire	343	Single	SilkWorm	65	Black	
HOLY ROLLER	M126	ETB24748000	20X1.75	47-406	17-30	60	Wire	422	Single	-	60	Black	
HOLY ROLLER	M126	ETB29478000	20X1.95	53-406	17-30	60	Wire	484	Single	-	60	Black	
HOLY ROLLER	M126	ETB31020000	20X2.20	56-406	17-30	60	Wire	562	Single	-	60	Black	
HOLY ROLLER	M126	ETB49212000	24X1.85	50-507	17-30	60	Wire	601	Single	-	60	Black	
HOLY ROLLER	M126	ETB50611500	24X2.40	55-507	17-30	60	Wire	770	Single	-	65	Black	
HOLY ROLLER	M126	ETB72392000	26X2.20	52-559	17-30	60	Wire	795	Single	-	65	Black	
HOLY ROLLER	M126	ETB74180100	26X2.40	55-559	17-30	60	Wire	864	Single	-	65	Black	
HOOKWORM	M121	ETB29461000	20X1.95	53-406	17-30	60X2	Wire	720	Single	-	110	Black	
HOOKWORM	M121	ETB50650300	24X2.50	61-507	21-35	60	Wire	966	Single	-	65	Black	
HOOKWORM	M121	ETB74255100	26X2.50	63-559	21-35	60	Wire	1076	Single	-	65	Black	
HOOKWORM	M121	ETB00327100	27.5X2.50	63-584	21-35	60	Wire	1114	Single	-	65	Black	

BMX/TRIALS

TREAD	MOLD #	PART #	SIZE	ETRTO	INNER RIM WIDTH (mm)	TPI	BEAD	WEIGHT (g)	COMPOUND	CASING\ PROTECTION	TUBE-LESS	MAX PSI	COLOR
HOOKWORM	M121	ETB96805000	29X2.50	63-622	21-35	60	Wire	1185	Single	-	65	Black	
MAXXDADDY	M110	ETB29682000	20X2.00	54-406	17-30	60	Wire	535	Single	-	40	Black	
M-TREAD	M141	ETB30696000	20X2.10	53-406	17-30	60X2	Wire	829	Single	-	110	Black	
Wire Bead Specs													
TORCH	M149	ETB20354100	20X1-1/8	28-451	15-23	60	Wire	293	Dual	SilkWorm	85	Black	
TORCH	M149	ETB20626100	20X1-3/8	37-451	17-27	60	Wire	346	Dual	SilkWorm	100	Black	
TORCH	M149	ETB47641000	24X1.75	44-507	17-27	120	Wire	465	Dual	SilkWorm	65	Black	
Folding Bead Specs													
TORCH	M149	ETB00356600	20X1.75	44-406	17-27	120	Folding	368	Dual	EXO	110	Black	
TORCH	M149	ETB00357100	20X1.95	49-406	17-30	120	Folding	411	Dual	EXO	110	Black	
TORCH	M149	ETB00357400	20X2.20	56-406	17-30	120	Folding	513	Dual	EXO	110	Black	
TORCH	M149P	ETB96651100	29X2.10	53-622	17-30	60	Folding	660	Single	-	65	Black	
TORCH	M149P	ETB96651200	29X2.10	53-622	17-30	120	Folding	648	Single	SilkWorm	65	Black	

FACTORY GEAR

MOLD #	MOLD #	WEIGHT (g)	NOTE
Tire Lever	C900000012	0.05	
MaxxOut Valve Adaptor	C900000212	2.4	MOQ 1000pcs/USD 1000 - 1 carton
MaxxOut Tubeless Valve Kit (Valve Length 50mm)	C900000215	3.2	Each carton contains 100sets > 2 x 50mm valve stems > 2 x Aluminum tool caps > 2 x Spare valve cores > 1 x Presta to Schrader valve adapter (Maxxout adaptool) MOQ 100sets/USD 900 - 1 carton



Tubes

FLYWEIGHT

0.45mm wall thickness
Lightest Maxxis tube available

ULTRALIGHT

0.60mm wall thickness
Race use tube

WELTERWEIGHT

0.80mm wall thickness
General purpose tube

FREERIDE

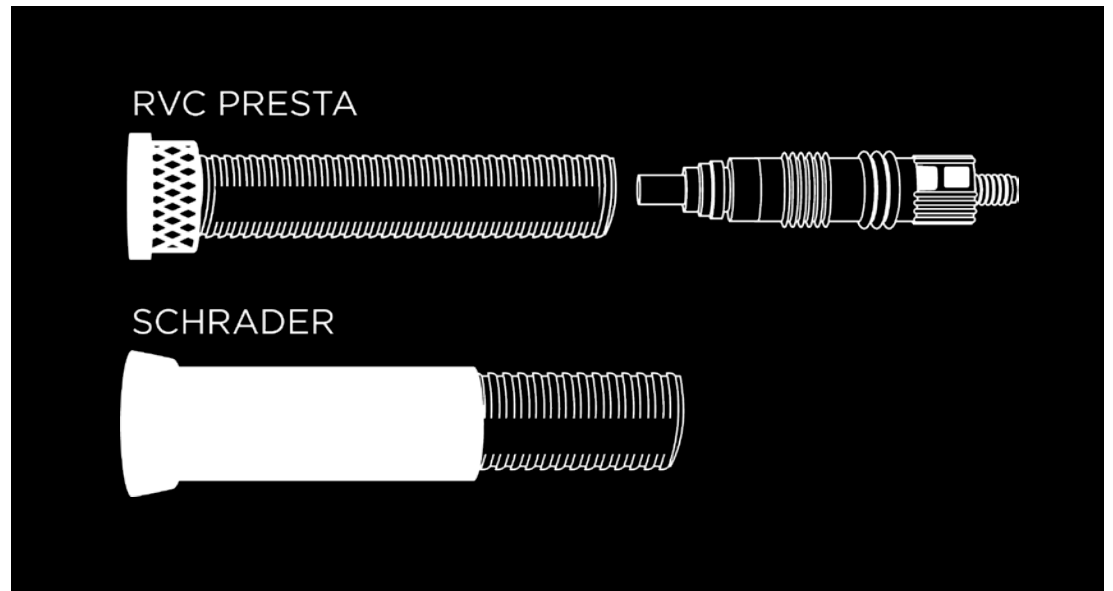
1.2mm wall thickness
Heavy duty tube

DOWNHILL

1.5mm wall thickness
Ultra-heavy duty tube

FAT/PLUS

1.0mm wall thickness
Fat/plus bike-specific



SPECS

TYPE	PART #	SIZE	ETRTO	WEIGHT (g)	VALVE TYPE	VALVE LENGTH (mm)
FLYWEIGHT	EIB00234100	700X18/25C	18/25-622	52	Presta	60
FLYWEIGHT	EIB00233900	27.5X1.9/2.125	48/54-584	110	Presta	48
FLYWEIGHT	EIB00234000	29X1.9/2.125	48/54-622	117	Presta	48
ULTRALIGHT	EIB00233600	20X1.50/1.75	38/44-406	85	Schrader	48
ULTRALIGHT	EIB00233500	20X1.50/1.75	38/44-406	83	Presta	48
ULTRALIGHT	EIB00233800	20X1.90/2.125	48/54-406	99	Schrader	48
ULTRALIGHT	EIB00233700	20X1.90/2.125	48/54-406	96	Presta	48
ULTRALIGHT	EIB00141000	26X1.50/2.50	40/63-559	126	Presta	48
ULTRALIGHT	EIB00141100	26X1.50/2.50	40/63-559	129	Schrader	48
ULTRALIGHT	EIB00139600	27.5X1.75/2.4	44/61-584	146	Presta	48
ULTRALIGHT	EIB00139700	27.5X1.75/2.4	44/61-584	149	Schrader	48
ULTRALIGHT	EIB00140400	29X1.75/2.4	44/61-622	155	Presta	48

SPECS

TYPE	PART #	SIZE	ETRTO	WEIGHT (g)	VALVE TYPE	VALVE LENGTH (mm)
ULTRALIGHT	EIB00140500	29X1.75/2.4	44/61-622	158	Schrader	48
ULTRALIGHT	EIB00100000	700X23/32C	23/32-622	75	Presta	60
ULTRALIGHT	EIB00136400	700X23/32C	23/32-622	76	Presta	60
ULTRALIGHT	EIB00141400	700x33/50C	33/50-622	100	Presta	48
ULTRALIGHT	EIB00141500	700x33/50C	33/50-622	101	Presta	60
WELTER WEIGHT	EIB00232000	16X1.90/2.125	48/54-305	100	Schrader	48
WELTER WEIGHT	EIB00232100	20X1*1/4X1*3/8	32-440	117	Schrader	48
WELTER WEIGHT	EIB00232200	20X1*1/4X1*3/8	32-440	115	Presta	48
WELTER WEIGHT	EIB00160700	20X1.0/1.5	25/40-406	74	Schrader	48
WELTER WEIGHT	EIB00160900	20X1.0/1.5	25/40-406	73	Presta	48
WELTER WEIGHT	EIB00160300	20X1.5/2.5	40/63-406	125	Schrader	48
WELTER WEIGHT	EIB00160500	20X1.5/2.5	40/63-406	123	Presta	48
WELTER WEIGHT	EIB00159500	24X1.5/2.5	40/63-507	151	Schrader	48
WELTER WEIGHT	EIB00159700	24X1.5/2.5	40/63-507	149	Presta	48
WELTER WEIGHT	EIB00159900	24X2.0/3.0	50/76-507	200	Schrader	48
WELTER WEIGHT	EIB00160100	24X2.0/3.0	50/76-507	199	Presta	48
WELTER WEIGHT	EIB00232300	26X1.0/1.25	25/32-559	92	Presta	48
WELTER WEIGHT	EIB00137000	26X1.50/2.50	40/63-559	163	Presta	48
WELTER WEIGHT	EIB00232400	26X1.90/2.125	50/54-559	163	Presta	60
WELTER WEIGHT	EIB00137100	26X1.50/2.50	40/63-559	165	Schrader	48
WELTER WEIGHT	EIB00232500	27.5X1.5/1.75	38/44-584	146	Schrader	48
WELTER WEIGHT	EIB00232600	27.5X1.5/1.75	38/44-584	144	Presta	48
WELTER WEIGHT	EIB00139800	27.5X1.75/2.4	44/61-584	191	Presta	48
WELTER WEIGHT	EIB00139900	27.5X1.75/2.4	44/61-584	193	Schrader	48
WELTER WEIGHT	EIB00140000	27.5X2.0/3.0	50/76-584	227	Presta	48
WELTER WEIGHT	EIB00140100	27.5X2.0/3.0	50/76-584	227	Schrader	48
WELTER WEIGHT	EIB00140600	29X1.75/2.4	44/61-622	203	Presta	48

SPECS

TYPE	PART #	SIZE	ETRTO	WEIGHT (g)	VALVE TYPE	VALVE LENGTH (mm)
WELTER WEIGHT	EIB00140700	29X1.75/2.4	44/61-622	205	Schrader	48
WELTER WEIGHT	EIB00140800	29X2.0/3.0	50/76-622	241	Presta	48
WELTER WEIGHT	EIB00140900	29X2.0/3.0	50/76-622	241	Schrader	48
WELTER WEIGHT	EIB00099900	700X23/32C	23/32-622	100	Presta	48
WELTER WEIGHT	EIB00136200	700X23/32C	23/32-622	102	Presta	60
WELTER WEIGHT	EIB00136300	700X23/32C	23/32-622	104	Presta	80
WELTER WEIGHT	EIB00232700	700X18/25C	18/25-622	86	Schrader	48
WELTER WEIGHT	EIB00137300	700x33/50C	33/50-622	129	Presta	48
WELTER WEIGHT	EIB00137400	700x33/50C	33/50-622	130	Presta	60
WELTER WEIGHT	EIB00137200	700x33/50C	33/50-622	131	Schrader	48
FREERIDE	EIB00231600	26X2.2/2.5	56/63-559	311	Schrader	48
FREERIDE	EIB00231500	26X2.20/2.50	56/63-559	311	Presta	48
FREERIDE	EIB75102200	27.5X2.2/2.5	56/63-584	329	Schrader	48
FREERIDE	EIB75109200	27.5X2.2/2.5	56/63-584	328	Presta	48
FREERIDE	EIB00231800	29X2.2/2.5	56/63-622	350	Schrader	48
FREERIDE	EIB00231700	29X2.2/2.5	56/63-622	349	Presta	48
DOWNHILL	EIB00232800	24X2.50/2.70	63/68-507	425	Presta	48
DOWNHILL	EIB00232900	24X2.50/2.70	63/68-507	426	Schrader	48
DOWNHILL	EIB00233000	26X2.50/2.70	63/68-559	462	Presta	48
DOWNHILL	EIB00233100	26X2.50/2.70	63/68-559	463	Schrader	48
DOWNHILL	EIB00233400	29X2.2/2.5	56/63-622	436	Schrader	48
DOWNHILL	EIB00233300	29X2.2/2.5	56/63-622	435	Presta	48
FAT/PLUS	EIB00141200	26X3.0/5.0	76/127-559	431	Presta	48
FAT/PLUS	EIB00141300	26X3.0/5.0	76/127-559	432	Schrader	48
FAT/PLUS	EIB00233200	27.5X2.5/3.0	63/76-584	505	Presta	48
FAT/PLUS	EIB00140200	27.5X3.0/5.0	76/127-584	440	Presta	48
FAT/PLUS	EIB00140300	27.5X3.0/5.0	76/127-584	441	Schrader	48

Tire Safety

- CONSULT YOUR OWNER'S MANUAL FOR SPECIFIC TIRE INFORMATION.
- CLEARANCE AROUND TIRES MUST BE MAINTAINED. INCREASED TIRE SIZE MAY REQUIRE AN INCREASED RIM WIDTH.
- INSPECT TIRES CLOSELY FOR SUFFICIENT CLEARANCE.
- ALWAYS WEAR PROTECTIVE EYEWEAR WHEN INSTALLING INNER TUBES OR TIRES.
- WHEN REPLACING TIRES, BE SURE TO ALSO REPLACE THE INNER TUBES. STRETCHED INNER TUBES CAN CREASE AND FAIL DUE TO THINNING OF THE INNER TUBE RUBBER.
- CONSULT YOUR BICYCLE PROFESSIONAL FOR CORRECT RIM STRIP REPLACEMENT.
- MAKE SURE YOUR TUBE SIZE MARKINGS MATCH THE TIRE SIZE.
- USE TIRE ONLY FOR DESIGNATED TERRAIN, ON AN APPROPRIATE BICYCLE AND USING PROPER SAFETY EQUIPMENT AT ALL TIMES.
- FOLLOW TIRE PRESSURE GUIDELINES LOCATED ON YOUR TIRE.
- CHECK TIRE PRESSURE BEFORE EVERY RIDE.
- CHECK YOUR VALVE CORES FOR DAMAGE. IF VALVE CORES ARE DAMAGED, REPLACE THEM.
- CHECK YOUR TIRES FOR DAMAGE BEFORE AND AFTER RIDING. PUNCTURED, CRACKED, BULGING OR BLISTERED TIRES SHOULD BE REPLACED IMMEDIATELY. IF NOT REPLACED, TIRE DAMAGE CAN RESULT IN SUDDEN AND COMPLETE TIRE FAILURE.
- CHECK TO ENSURE THAT THE BEADS OF THE TIRES ARE FULLY AND EVENLY SEATED AROUND THE ENTIRE CIRCUMFERENCE OF THE RIMS BEFORE EVERY RIDE.
- AFTER REPLACING WORN TIRES, TAKE TIME TO BECOME ACQUAINTED WITH THE HANDLING AND PERFORMANCE OF YOUR NEW TIRES.
- DO NOT CUT, SIPE OR OTHERWISE MODIFY YOUR TIRES.
- CHECK FOR BROKEN OR DAMAGED SPOKES AND REPLACE AS NECESSARY.
- REPLACE BENT OR DAMAGED RIMS OR WHEELS IMMEDIATELY.
- LIQUID SEALANTS SHOULD ONLY BE USED IN THE FOLLOWING TYPES OF TIRES: TUBELESS ROAD, TUBULAR AND TUBELESS-READY. THE USE OF LIQUID SEALANTS IN ANY OTHER MAXXIS TIRE WILL VOID THE WARRANTY.
- TUBE-TYPE TIRES SHOULD ONLY BE USED IN CONJUNCTION WITH AN INNER TUBE ON AN APPROVED RIM.
- DO NOT STORE TIRES IN DIRECT SUNLIGHT FOR EXTENDED PERIODS OF TIME.
- ALLOWING TIRES TO STAND IN OIL, GASOLINE OR OTHER CHEMICALS MAY HAVE AN ADVERSE EFFECT ON THE RUBBER COMPOUNDS OF THE TIRE.
- FAILURE TO FOLLOW THESE GUIDELINES CAN RESULT IN ACCELERATED TREAD WEAR AND MAY CAUSE CATASTROPHIC TIRE FAILURE.



